

# Gas Slide-In Cooktop

E36GC75GSS designer series



### Min-2-Max™ Burners

Burner configuration includes two versatile Min-2-Max™ sealed burners delivering anywhere from 18,000 to 450 BTUs. Thanks to the double ring configuration, you can simmer sauces or bring water to a boil. You decide the level of heat output by a simple turn of the knob.



### Six Sealed Burners

Designed for cooking multiple dishes at varying temperatures on a single cooktop. Includes: two 18,000-450 BTU Min-2-Max™ burners, one 14,000 BTU Power Burner™, one 13,000 BTU Burner, one 9,500 BTU Precision Burner™ and one 5,000 BTU Precision Burner™.



### Gas-Thru-Glass Cooktop

Remove the grates to reveal the smooth, flat ceramic glass surface that now makes cleanup easier in this traditionally difficult area of the cooktop.



### Beveled Front Controls

Ergonomically designed for visibility and comfort. Large, professional-style knobs are clearly scaled to eliminate guesswork while cooking. Optional black knobs available.

### 36" GAS SLIDE-IN COOKTOP

Configuration	6 Sealed Burners
---------------	------------------

#### FEATURES

Black Ceramic Glass Cooktop Surface	Yes
Large Professional Skirted Knobs with Bezel	6
Min-2-Max™ Dual-Ring Sealed Burner (BTU)	2 (18,000 – 450)
Sealed Power Burner™ (BTU)	1 (14,000)
Sealed Burner (BTU)	1 (13,000)
Sealed Precision Burner™ (BTU)	1 (9,500) 1 (5,000 – 750)
Linear Flow Burner Valves	Yes
Electronic Ignition	Yes
Continuous Grates	3

#### ACCESSORIES

Griddle	Included
Wok Ring	Included
Simmer Plate	Included
9" Stainless Steel Backsplash – 903048-9010	Optional
Black Knobs Kit – 903109-9010	Optional
Depth Adjustment Filler Kit* - 903051-9010	Optional

#### SPECIFICATIONS

Overall Exterior Dimensions –	
Height	7-3/4"
Width	35-7/8"
Depth	25-3/4"
Gas Inlet Location	Right Rear
Power Supply Location	Left Rear
Lp Conversion Kit	Included
Voltage Rating –	120V/1.2W/ 60Hz/15A
Connected Load (kW Rating) @ 120 Volts†	0.001
Electrical Cable	Included
Approved for Single Oven Combination Installation**	No
Product Weight	113 Lbs.
Shipping Weight (Approx.)	118 Lbs.
UPC (0-57112-)	09797-8

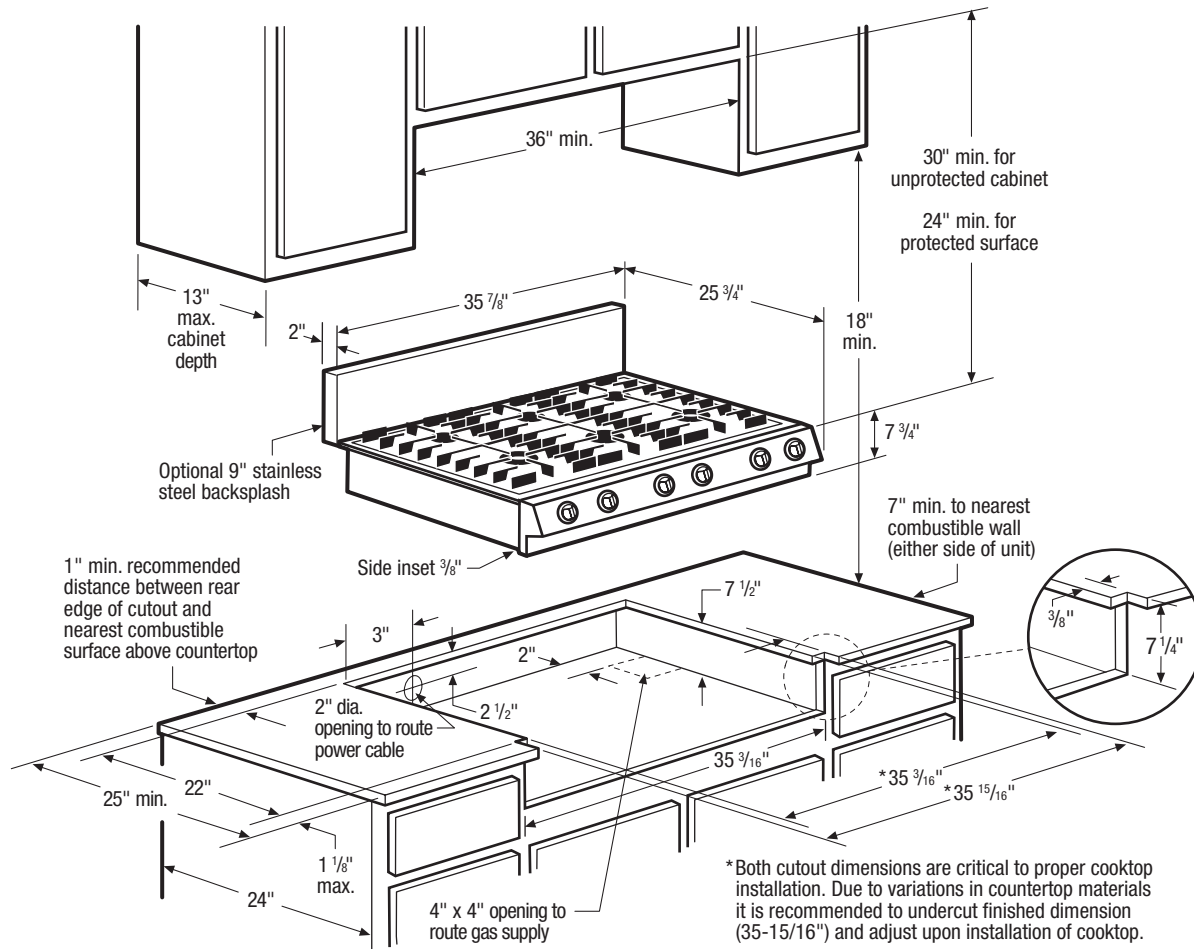
\* When replacing an existing cooktop with countertop cutout deeper than 7-1/4" and less than 8-1/2", order free Depth Adjustment Filler Kit.

† For use on adequately wired 120V, dedicated circuit having 2-wire service with a separate ground wire. Appliance must be grounded for safe operation.

\*\* Not approved to be used over any Electrolux ICON™ Single Wall Oven.

NOTE: Always consult local and/or national electric and gas codes. Refer to Product Installation Guide for detailed installation instructions on the web at [electroluxusa.com](http://electroluxusa.com).

Specifications subject to change.



### 36" Gas Slide-In Cooktop Specifications

- Product Weight – 113 Lbs.
- Voltage Rating – 120V/1.2W/60 Hz/15 Amp
- Connected Load (kW Rating) @ 120 Volts = 0.001 kW (For use on adequately wired 120V, dedicated circuit having 2-wire service with a separate ground wire. Appliance must be grounded for safe operation.)
- Amps @ 120 Volts = 0.008 Amps
- Always consult local and/or national electric and gas codes.
- Cooktop ships with 3/4" factory regulator.
- Lp conversion kit supplied.
- Respect critical dimensions as noted for proper installation of cooktop.
- Overhead cabinetry should not exceed a 13" maximum depth.
- Allow 30" minimum clearance between top of cooktop and bottom of unprotected wood or metal overhead cabinetry.
- Absolute minimum horizontal distance between overhead cabinets installed to either side of appliance must be no less than maximum width of appliance.
- Allow 24" minimum clearance when bottom of wood or metal overhead cabinet is protected by not less than 1/8" flame-retardant millboard covered with not less than No.28 MGS sheet steel, 0.015" stainless steel, 0.024" aluminum or 0.020" copper.

- Allow 1" minimum clearance between rear edge of cutout and nearest combustible surface above countertop.
- Allow 7" minimum clearance from edge of cooktop to nearest combustible wall on either side of unit.
- It is recommended that drawers not be used beneath cooktop.
- To reduce risk of fire when using overhead cabinetry, install vent hood that projects horizontally a recommended minimum of 7" beyond bottom of cabinets.
- Gas Slide-In Cooktop model E36GC75GSS is NOT approved to be used over any Electrolux ICON™ Single Wall Oven.

**Note: Refer to Product Installation Guide for detailed instructions on the web at [electroluxusa.com](http://electroluxusa.com).**

### Optional Accessories

- When replacing an existing cooktop with countertop cutout deeper than 7-1/4" and less than 8-1/2", order free Depth Adjustment Filler Kit – (903051-9010).
- 9" Stainless Steel Backsplash – (903048-9010).
- Black Knobs Kit – (903109-9010).