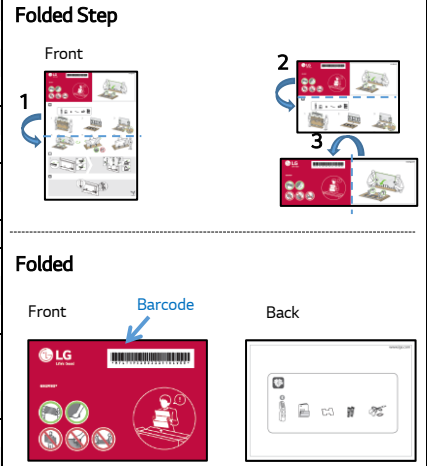


Printing Specification

1. Specification

Models	1. Model Name:	48C3
	2. Suffix:	AU
	3. Part No:	MFL71949758
	4. REV	REV00
SIZE	5. Number of pages	16
	6. Folded/Unfolded	3 Folded
	7. Trim size (W x H)_Unfolded (mm)	296 x 420
	8. Trim size (W x H)_folded (mm)	148 x 105
COVER	9. Bindery	-
	10. Color (Cover)	-
	11. Paper (Cover)	-
	12. Weight (cover) (g/m ²)	-
INNER	13. Color (inner)	4
	14. Paper (inner)	Wood free
	15. Weight (inner) (g/m ²)	80
	16. Coating	No
	17. Thomson	No
	18. Sub-material	No
	19. Languages	ENG (1)

1.1 Folding / Cover



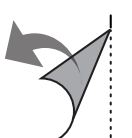
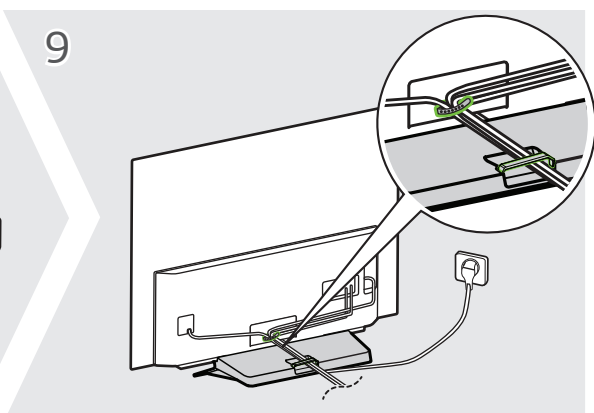
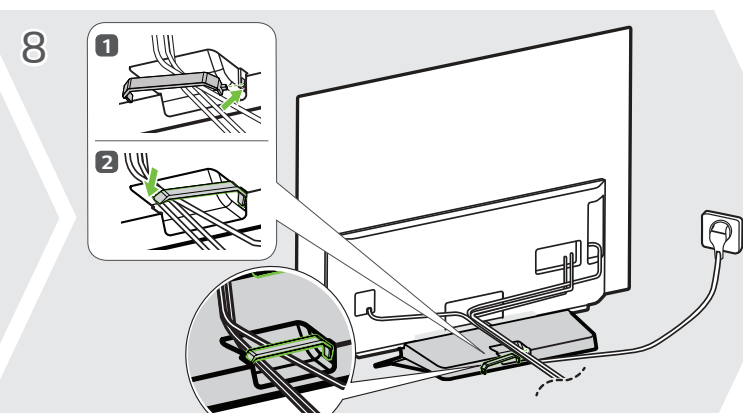
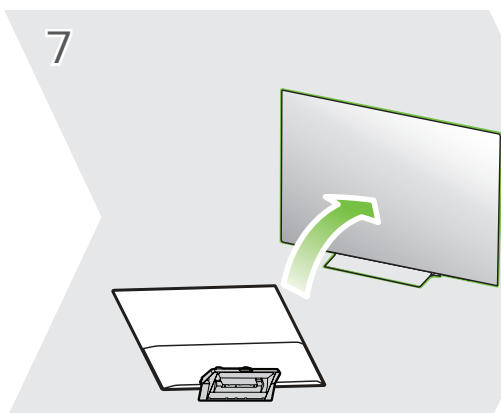
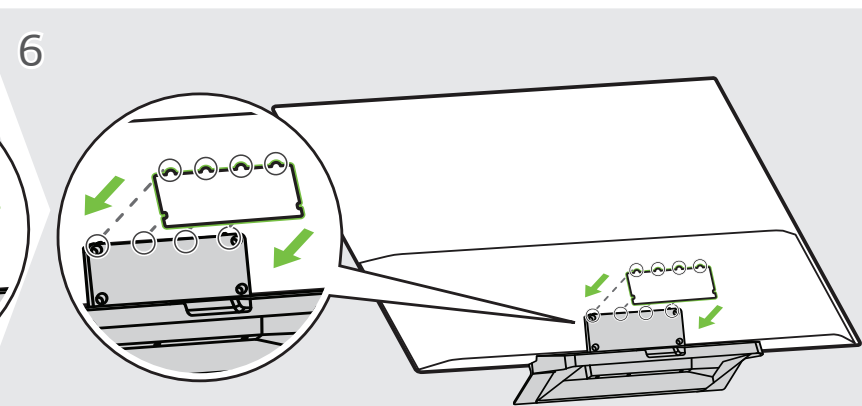
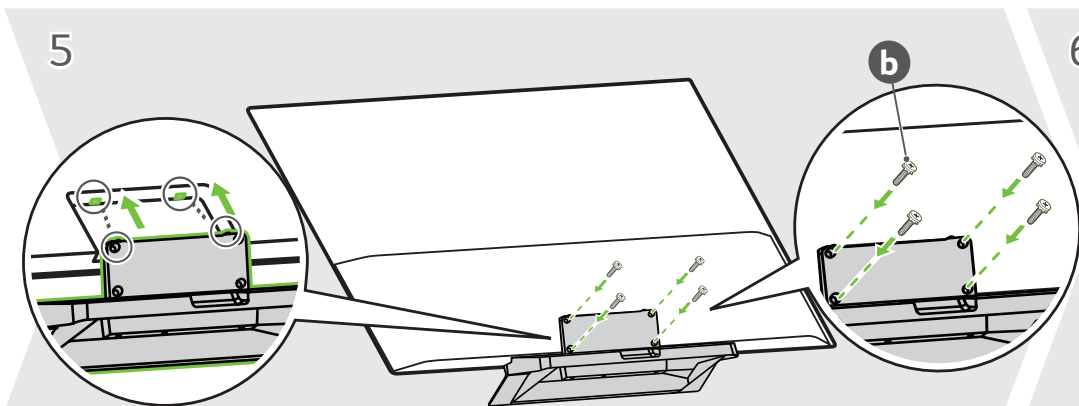
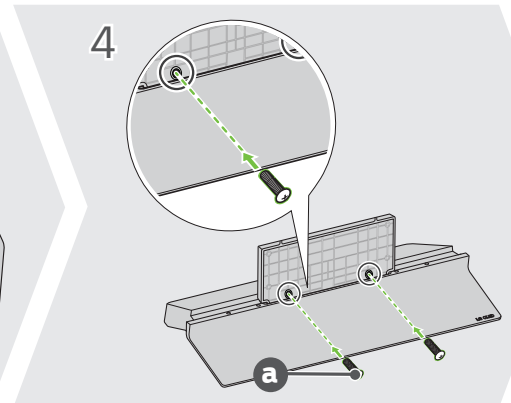
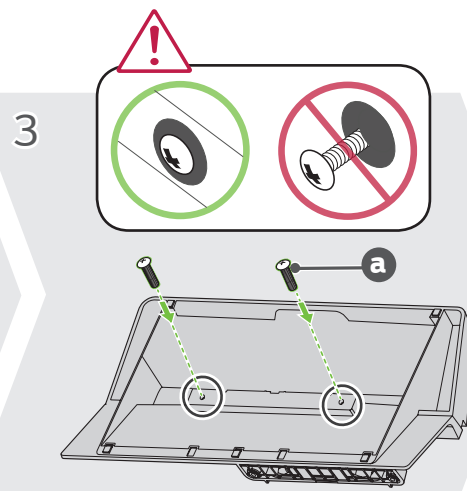
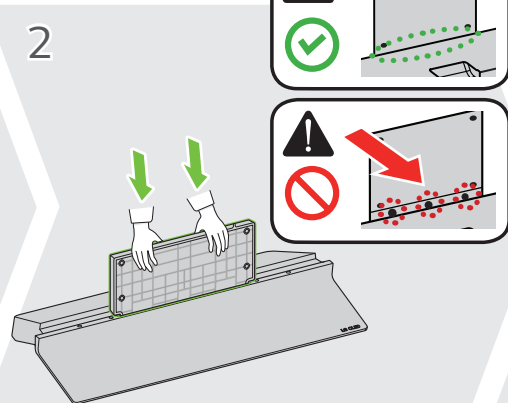
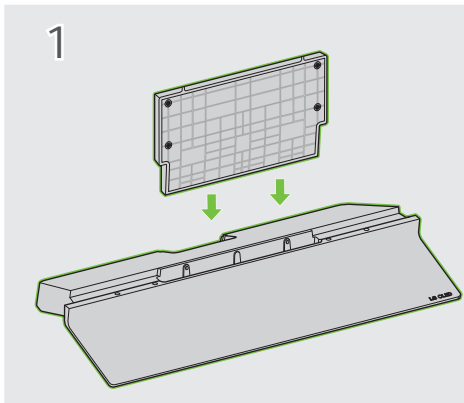
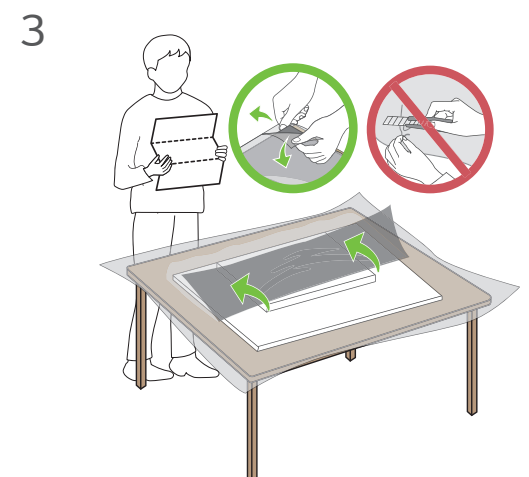
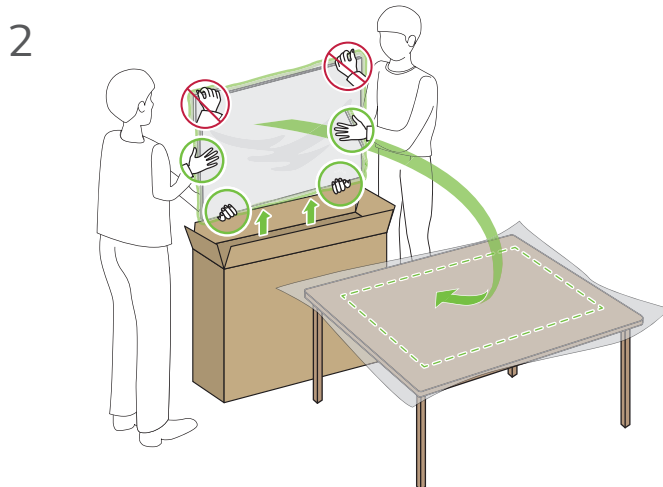
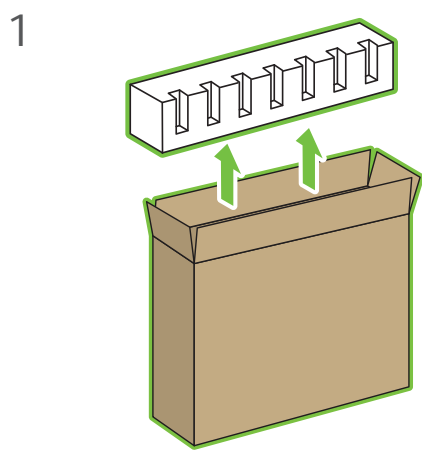
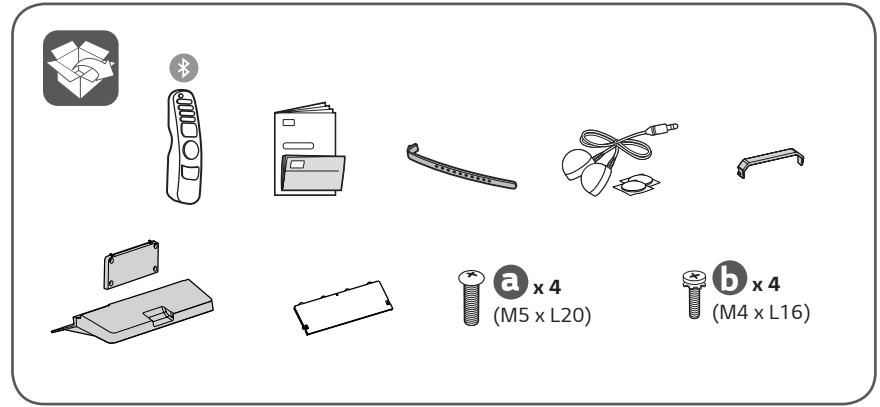
2. Origin Notification

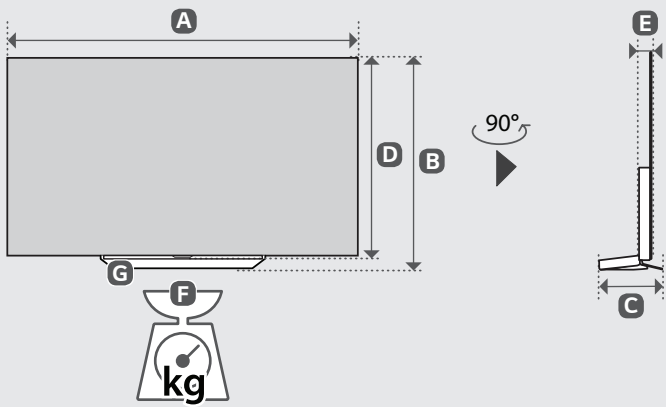
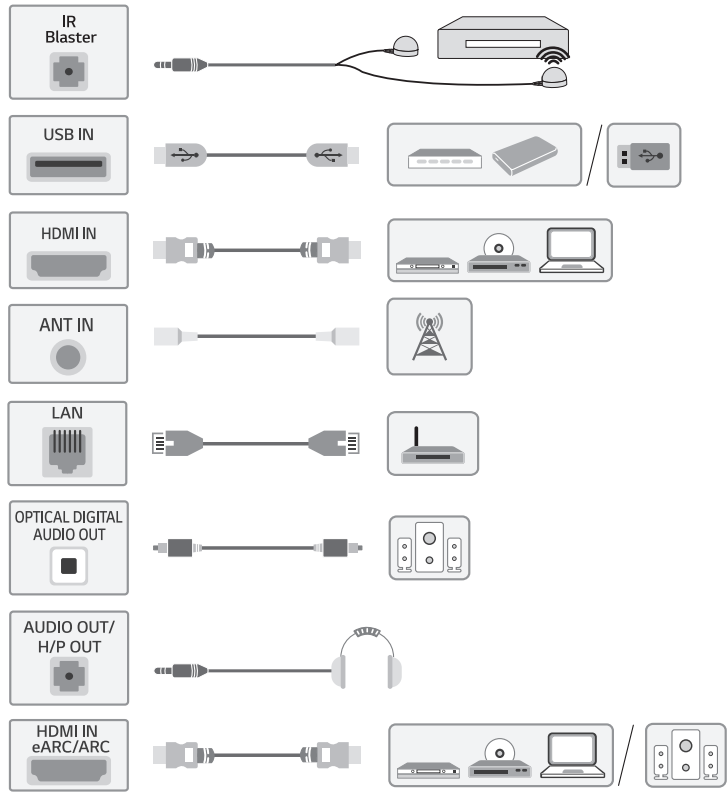
<p style="text-align: center;">Changes the Country name.</p> <p>Copyright © 2021 LG Electronics Inc. All Rights Reserved. www.lg.com</p> <p style="text-align: center;">Printed in Korea ← Printed in [Country Name in English] Imprimé en Corée ← Imprimé en (au) [Country Name in French]</p>	<p>[Country Name] (ENG/FRE)</p> <table border="1"> <tr> <td>LGERS / LGEMX :</td> <td>Printed in Mexico Imprimé au Mexique</td> </tr> <tr> <td>LGEKR :</td> <td>Printed in Korea Imprimé en Corée</td> </tr> <tr> <td>LGEMA :</td> <td>Printed in Poland Imprimé en Pologne</td> </tr> <tr> <td>LGEND :</td> <td>Printed in China Imprimé en Chine</td> </tr> <tr> <td>LGEIN :</td> <td>Printed in Indonesia Imprimé en Indonésie</td> </tr> <tr> <td>Others :</td> <td>Each Country name.</td> </tr> </table>	LGERS / LGEMX :	Printed in Mexico Imprimé au Mexique	LGEKR :	Printed in Korea Imprimé en Corée	LGEMA :	Printed in Poland Imprimé en Pologne	LGEND :	Printed in China Imprimé en Chine	LGEIN :	Printed in Indonesia Imprimé en Indonésie	Others :	Each Country name.
LGERS / LGEMX :	Printed in Mexico Imprimé au Mexique												
LGEKR :	Printed in Korea Imprimé en Corée												
LGEMA :	Printed in Poland Imprimé en Pologne												
LGEND :	Printed in China Imprimé en Chine												
LGEIN :	Printed in Indonesia Imprimé en Indonésie												
Others :	Each Country name.												
<p>[Restriction of Hazardous Substances]</p> <p>Hazardous substances on this product should be satisfied by substance regulation of Level A-I, A-II, SVHC according to LG(52)B-5011 standard. Especially, Part should be followed and controlled the following specification.</p> <p>(1) Hazardous substances test report should be submitted when part certification test and first mass production.</p> <p>(2) Especially, Don't use or contain lead (Pb) and cadmium (Cd) in ink.</p> <p>INK REQUIREMENT FOR EU</p> <p>(1) The amount of MOAH/MOSH must be less than 0.1% of the weight of the INK used.</p> <p style="padding-left: 20px;">*MOAH(Mineral Oil Aromatic Hydrocarbons) : Consisting of 1 to 7 aromatic cycles</p> <p style="padding-left: 20px;">*MOSH(Mineral Oil Saturated Hydrocarbons) : Consisting of 16 to 35 carbon atoms</p> <p>(2) From 01 January 2025 : Ban on the use of MOAH in INK up to a limit of one part per million(1ppm) for compounds of 3 to 7 aromatic cycles</p>													

3. History

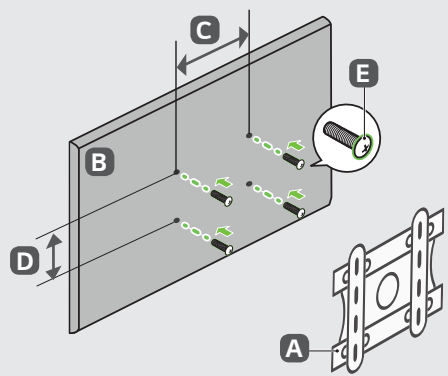
REV07				
REV06				
REV05				
REV04				
REV03				
REV02				
REV01				
REV00	2022-11-23			Checked Approved Taeho.Bae Jongok.Kim
Rev. Number	Date	Description	ECO Number	Owner Seungji.Park

OLED48C3*





	A	B	C	D	E	F	F-G
	(mm)					(kg)	
OLED48C36LA OLED48C3PSA	1071	675	230	618	46.9	16.8	14.9



A	B	C x D (mm)	E
OLW480B	OLED48C3*	300 x 200	M6

