

UNDER-COUNTER WINE COOLERS

EI24WC10QS (RIGHT DOOR SWING)
EI24WL10QS (LEFT DOOR SWING)

Featuring IQ-Touch™ Electronic Controls



PRODUCT DIMENSIONS

Height	33-3/4"
Width	23-7/8"
Depth (Including Handle)	26"

MORE EASY-TO-USE FEATURES

UV-FILTERED GLASS DOOR

Helps protect wine's flavor from deterioration caused by harmful UV rays.

INTEGRATED CONTROLS

Controls are located on the top of the door — so they're easy to set when needed, and hidden from view when the door is closed.

VERSATILE INSTALLATION OPTIONS

Models are available in either right or left swing — making placement easier.

REFRIGERATOR ALARM SYSTEM

Notifies you if there's been a power failure, if a door stays open longer than five minutes and if the interior temperature of the wine cooler exceeds 10 degrees from set-point for more than 60 minutes.

A.D.A. COMPLIANT

When properly installed, this model is A.D.A.-qualified based on the United States Access Board's A.D.A./A.B.A. Accessibility Guidelines and the Department of Justice's 2010 A.D.A. Standards for Accessible Design.

SIGNATURE FEATURES



WINE COOLER 45 BOTTLES

With 5 Luxury-Glide® Shelves and a wine display rack at the bottom, you have ample storage for up to 45 bottles of wine.



PERFECT SET® TEMPERATURE CONTROL

Keep your wine perfectly chilled with a temperature setting between 40 and 65 °F.



LUXURY-GLIDE® SHELVES

With a ball bearing system, shelves are so smooth they extend effortlessly.



LUXURY-DESIGN® LIGHTING

Lighting is as beautiful as it is functional, keeping your wine clearly visible. In display mode, the lights can stay on to display your wine collection.

Available in:



Stainless
(S)

UNDER-COUNTER WINE COOLERS

EI24WC10QS (RIGHT DOOR SWING)
EI24WL10QS (LEFT DOOR SWING)



24" UNDER-COUNTER WINE COOLERS

Maximum Storage	45 Bottles
Installation Type	Built-In / Freestanding

FEATURES

IQ-Touch™ Electronic Controls	Yes
Fully Integrated Control Panel	Yes
Blue LED Display	Yes
Luxury-Glide® 3/4-Extension Shelves	5
Lower Level Display Rack	Yes
Silver Metallic Trim on Racks	Yes
Luxury-Design® LED Lighting	Yes
Exhibit Lighting	Yes
Perfect Set® Controls	Yes
Electronic Control Lock	Yes
Display Temp Mode (°C or °F)	Yes
Door Ajar Acoustic Alarm	Yes
High-Temperature Acoustic Alarm	Yes
Power Failure Acoustic Alarm	Yes
Power-On/Off Control	Yes
Vacation Mode	Yes
Sabbath Mode (Star-K® Certified)	Yes
Frost-Free Performance	Yes
Dynamic Condenser	Yes

ADDITIONAL FEATURES

UV-Filtered, Tinted Glass Window	Yes
Luxury-Close™ Door	Yes
Adjustable Leveling Legs	4
A.D.A. Compliant*	Yes

SPECIFICATIONS

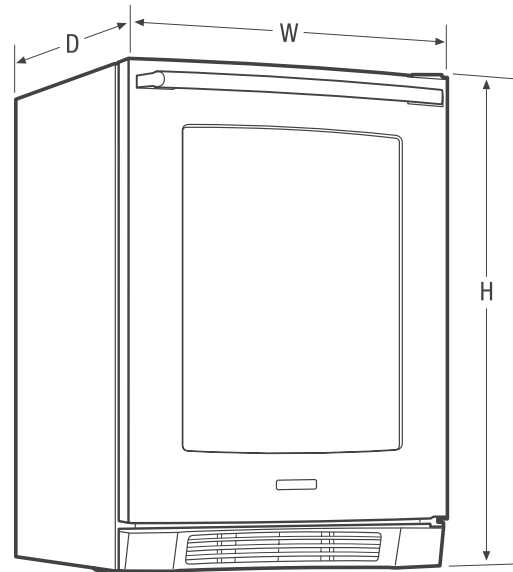
Color	—
Stainless Steel	S
Temperature Range	40°F – 65°F
Power Supply Connection Location	Right Bottom Rear
Voltage Rating	115V / 60 Hz
Connected Load (kW Rating) @ 115 Volts [†]	0.15
Minimum Circuit Required (Amps)	15A
Shipping Weight (Approx.)	125 Lbs.

*When properly installed, this model is A.D.A.-qualified based on the United States Access Board's A.D.A./A.B.A. Accessibility Guidelines and the Department of Justice's 2010 A.D.A. Standards for Accessible Design.

[†]For use on adequately wired 120V, dedicated circuit having 2-wire service with a separate ground wire. Appliance must be grounded for safe operation.

NOTE: Always consult local and national electric codes. Refer to Product Installation Guide for detailed installation instructions on the web at electroluxappliances.com.

Specifications subject to change.



PRODUCT DIMENSIONS

Height	33-3/4"
Width	23-7/8"
Depth (Including Handle)	26"
(with Door 90° Open)	46-13/32"

Electrolux Major Appliances, N.A.

USA • 10200 David Taylor Drive • Charlotte, NC 28262 • 1-877-4electrolux (1-877-435-3287) • electroluxappliances.com
CANADA • 5855 Terry Fox Way • Mississauga, ON L5V 3E4 • 1-800-265-8352 • electroluxappliances.ca

EI24WC10Q 08/16

© 2016 Electrolux Home Products, Inc.



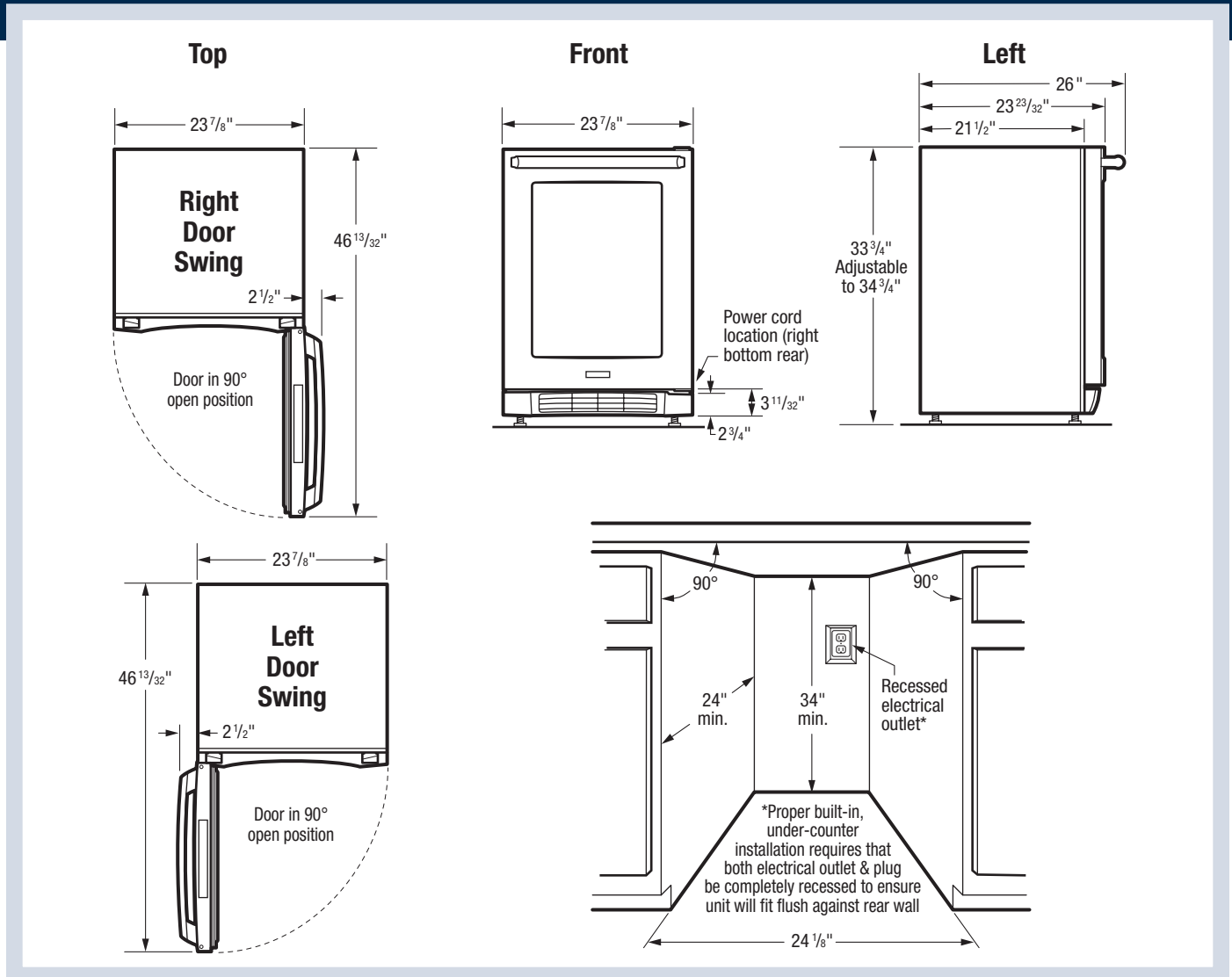
High standards of quality at Electrolux Home Products, Inc. mean we are constantly working to improve our products. We reserve the right to change specifications or discontinue models without notice.

UNDER-COUNTER WINE COOLERS



EI24WC10QS (RIGHT DOOR SWING)

EI24WL10QS (LEFT DOOR SWING)



Under-Counter Wine Cooler Specifications

- Product Weight – 115 Lbs.
- Voltage Rating – 115V/60Hz/15 Amps
- Connected Load (kW Rating) @ 115 Volts = 0.15 kW
(For use on adequately wired 115V, dedicated circuit having 2-wire service with a separate ground wire. Appliance must be grounded for safe operation.)
- Amps @ 115V = 1.5A
- Electrical cable supplied.
- Always consult local and national electric codes.
- Unit is designed for either freestanding or built-in, under-counter installation with right or left door swing.
- Built-in, under-counter installation does not require additional airspace for top, sides or rear of unit.
- Proper built-in, under-counter installation requires that both electrical outlet and plug be completely recessed to ensure unit will fit flush against rear wall.
- To allow for ease of installation and removal, it is recommended that cabinet rough opening dimensions be increased by at least 1/4" over product's dimensions.
- For proper ventilation, unit can NOT be installed behind closed doors; front grille MUST remain unobstructed.
- Must be positioned on flat, level surface, capable of supporting entire weight when fully loaded.
- Leveling legs supplied to adjust height and level unit.
- Do not position unit near any heat source to ensure optimum performance.
- Unit requires zero clearance when installing flush with cabinet or wall.
- When installing against cabinet or wall that extends beyond front edge of unit, 2-1/2" minimum handle clearance required to allow for 90° door swing, providing sliding shelves with necessary clearance.

Note: For planning purposes only. Refer to Product Installation Guide on the web at electroluxappliances.com for detailed instructions.

Electrolux Major Appliances, N.A.

USA • 10200 David Taylor Drive • Charlotte, NC 28262 • 1-877-4electrolux (1-877-435-3287) • electroluxappliances.com
 CANADA • 5855 Terry Fox Way • Mississauga, ON L5V 3E4 • 1-800-265-8352 • electroluxappliances.ca

EI24WC10Q 08/16

© 2016 Electrolux Home Products, Inc.



High standards of quality at Electrolux Home Products, Inc. mean we are constantly working to improve our products. We reserve the right to change specifications or discontinue models without notice.