

FRIGIDAIRE

PROFESSIONAL®

FPSC2278UF

SIDE-BY-SIDE COUNTER-DEPTH REFRIGERATOR

22.0 CU. FT.

Smudge-Proof™
STAINLESS STEEL



AVAILABLE
COLORS



Stainless

PRODUCT DIMENSIONS

| | |
|----------------------------------|---------|
| Height (Cabinet Including Hinge) | 69-7/8" |
| Width | 36" |
| Depth (Including Door) | 27-7/8" |

MORE EASY-TO-USE FEATURES

Chill Drawer

Our chill drawer with adjustable temperature control quickly cools food and drinks at the "colder" setting and converts to a deli and meat drawer at the "cold" setting.

Fresh Drawers

Our fresh drawers feature adjustable humidity controls.

Multi-level LED Lighting

Sleek multi-level LED lighting brightens every level of your refrigerator so it's easy to find what you're looking for, and our signature ramp up lighting effect offers an elegant touch every time you open the door.

PureSource Ultra® II Ice Maker with Slim Design

Store up to four pizza boxes alongside the slim ice maker design that gives you more usable freezer capacity.

Exterior Water and Ice Dispenser

Easily access fresh drinking water and cold ice without opening your refrigerator or freezer.

PureSource Ultra® II Ice & Water Filtration

Remove 99.3% of lead and 99.9% of cysts from your household water with a genuine water filter.

PureAir Ultra® Air Filter

Fresh air offers great taste. Our PureAir Ultra® II air filters effortlessly keep the food in your refrigerator tasting fresh by removing odor particles with fast-acting, highly absorbent carbon technology.

Hanging Can Rack

Easily access your cold, canned beverages with the Frigidaire Professional can rack.

SIGNATURE FEATURES



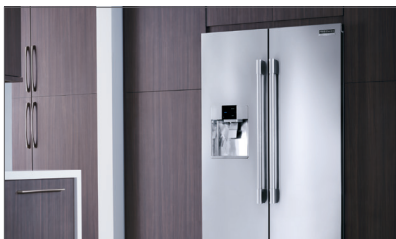
SpaceWise® Organization System

Our SpaceWise® Organization System makes it easy to keep food organized and accessible, with adjustable door bins that provide flexibility and deeper adjustable shelves than traditional counter-depth side-by-side refrigerators, which offer storage capacity where you need it most.



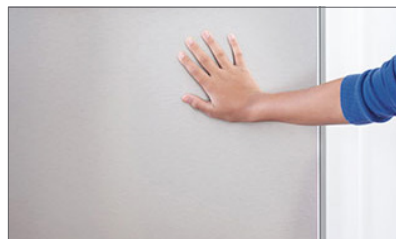
Professional-Grade Design

Durable hardware and professional-grade design features including smoky door bins, door bin liners, glass shelving with metallic trim, and a distinctive handle lend a high-quality look to your kitchen.



Get a built in look with counter-depth design

Our counter-depth refrigerator gives you the built in look without the remodel, and gives you over 4 inches of kitchen floor space back.



Smudge-Proof™ Stainless Steel

Resists fingerprints and cleans easily.

FPSC2278UF COUNTER-DEPTH SIDE-BY-SIDE REFRIGERATOR

22 CU. FT.

FRIGIDAIRE
PROFESSIONAL

FEATURES

| | |
|------------------------------|------------------|
| Door Design | Flat |
| Door Handle Design | Stainless Steel |
| Cabinet Finish | Gray |
| Door Stops / Door Closers | Yes / Yes |
| Door Hinge Covers | Hidden |
| Rollers - Front / Rear | Adjustable / Yes |
| Energy Saver Plus Technology | Yes |
| Water Filter Location | Top-Right Rear |

DISPENSER

| | |
|---|------------------------------------|
| Controls | LED Controls |
| Dispenser Design | Flush, Single Paddle |
| User Interface Buttons | 4 Dispenser/11 Side Control |
| Crushed Ice / Cube Ice / Water | Yes / Yes / Yes |
| Ice Option / Freeze Option | PowerPlus® Ice / PowerPlus® Freeze |
| Display On / Off Option | Yes |
| Lock / Light | No / Yes |
| Temp / Door Ajar / Power Failure Alerts | Yes / Yes / Yes |
| Water Filter Change Indicator Light | Yes |
| Air Filter Change Indicator Light | Yes |

REFRIGERATOR FEATURES

| | |
|----------------------|----------------------|
| Lighting | Multi-Level LED |
| Water Filter Type | PureSource Ultra® II |
| Air Filter Type | PureAir Ultra® |
| Fixed Shelves | 3 |
| Sliding Shelves | |
| Chill Zone Drawer | 1 Stacked |
| Wine / Can Rack | No / 1 Smoky |
| Fresh Drawers | 2 Smoky |
| Humidity Controls | 2 |
| Dairy Compartment | 1 Smoky |
| Fixed Door Bins | 2 Smoky |
| Adjustable Door Bins | Yes |
| Non-Slip Bin Liner | 3 Smoky |
| Condiment Bin | |

FREEZER FEATURES

| | |
|---|-----------------|
| Door Bins | 4 Smoky |
| Fixed Shelves | 2 Glass |
| Full Extension Baskets | |
| Full Freezer Baskets | 2 Wire Metallic |
| Half Freezer Baskets | |
| Ice Cream Shelf / Pizza Shelf | Yes |
| Lighting | Multi-level LED |
| PureSource Ultra® II Ice Maker with Slim Design | Yes |

CERTIFICATIONS

| | |
|----------------------------------|-----|
| Sabbath Mode (Star-K® Certified) | Yes |
|----------------------------------|-----|

SPECIFICATIONS

| | |
|---|-------------------|
| Total Capacity (Cu. Ft.) | 22.0 |
| Refrigerator Capacity (Cu. Ft.) | 14.1 |
| Freezer Capacity (Cu. Ft.) | 7.9 |
| Power Supply Connection Location | Right Bottom Rear |
| Water Inlet Connection Location | Left Bottom Rear |
| Voltage Rating | 120V / 60Hz / 15A |
| Connected Load (kW rating) @ 120 Volts ¹ | 1.02 |
| Amps @ 120 Volts | 8.5 |
| Minimum Circuit Required (Amps) | 15 |
| Shipping Weight (Approx.) | 325 Lbs. |

¹When properly installed, this model is A.D.A.-qualified based on the United States Access Board's A.D.A./A.B.A. Accessibility Guidelines and the Department of Justice's 2010 A.D.A. Standards for Accessible Design.

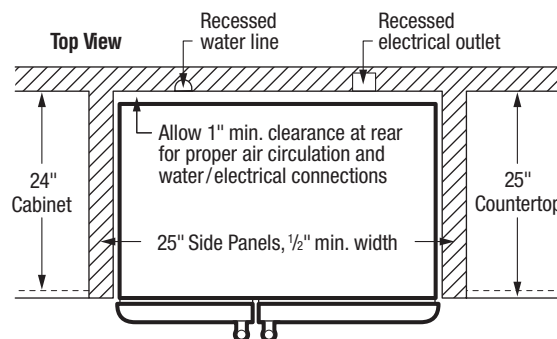
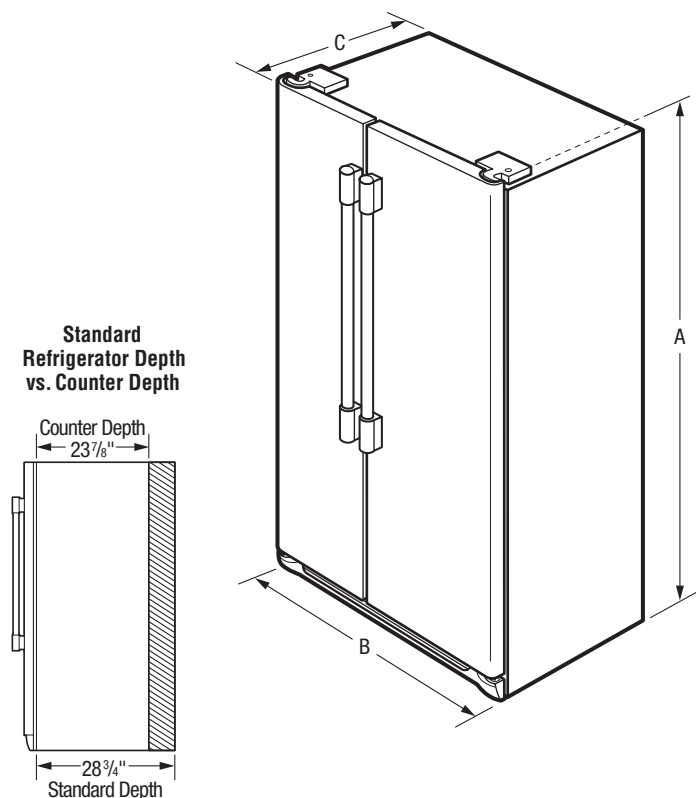
²For use on adequately wired 120V, dedicated circuit having 2-wire service with a separate ground wire. Appliance must be grounded for safe operation.

PRODUCT DIMENSIONS

| | |
|---|---------------|
| A - Height (Incl. Hinges & Rollers) | 69-7/8" |
| B - Cabinet Width / Door Width | 35-7/8" / 36" |
| C - Depth (Incl. Door) | 28-1/2" |
| Depth with Door Open 90° | 42" |
| Depth with Drawer Fully Extended (Incl. Handle) | 44-7/8" |

"BUILT-IN LOOK" CUTOUT DIMENSIONS

| | |
|---------------------------------|---------|
| Height (Incl. Hinges & Rollers) | 70-1/4" |
| Width | 36" |
| Depth | 25" |



Note: For planning purposes only. Always consult local and national electric, gas and plumbing codes. Refer to Product Installation Guide for detailed installation instructions on the web at [frigidaire.com / frigidaire.ca](http://frigidaire.com/frigidaire.ca). Specifications subject to change. Accessories information available on the web at frigidaire.com / frigidaire.ca

FRIGIDAIRE

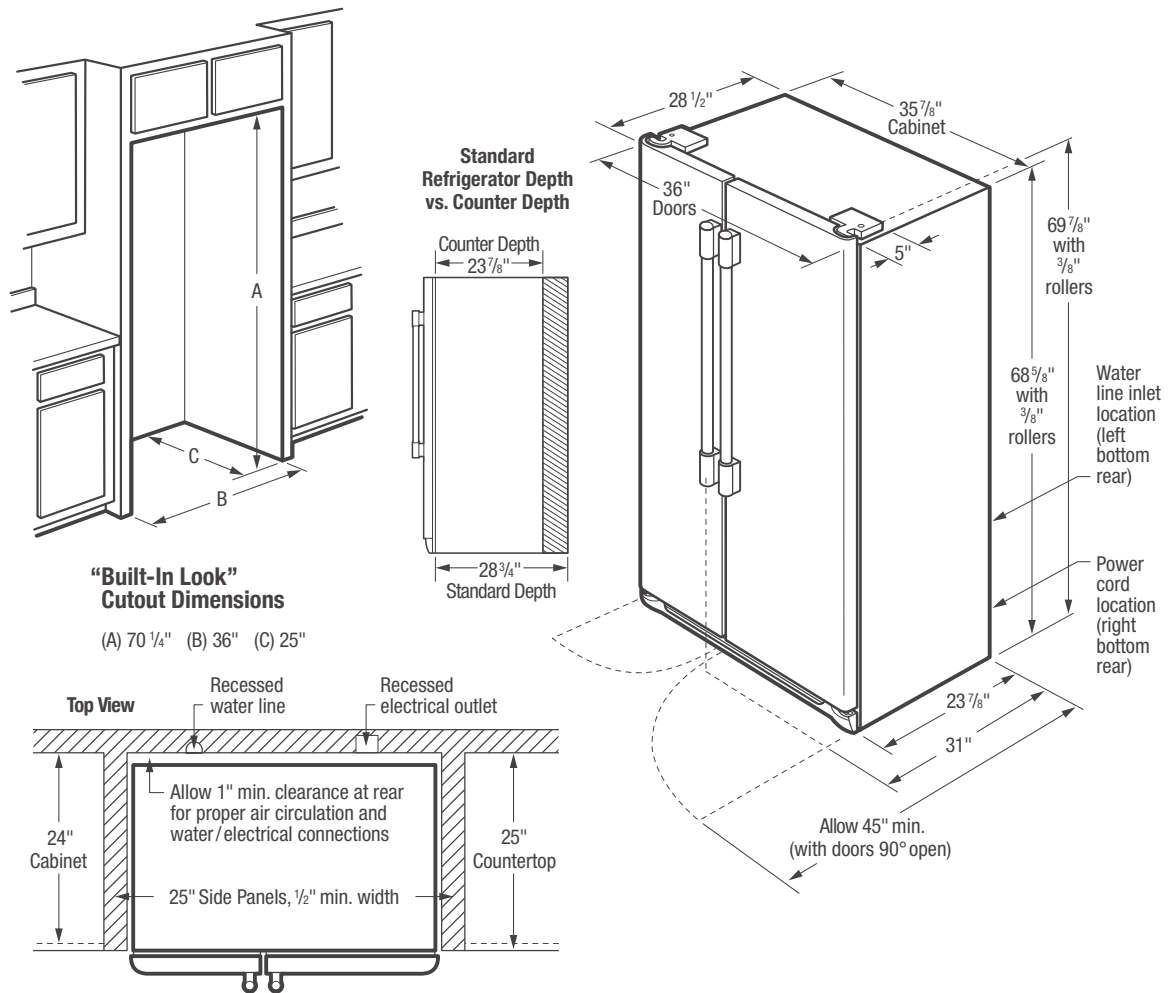
USA • 10200 David Taylor Drive • Charlotte, NC 28262 • 1-800-FRIGIDAIRE • frigidaire.com
CANADA • 5855 Terry Fox Way • Mississauga, ON L5V 3E4 • 1-800-265-8352 • frigidaire.ca

FPSC2278UF 9/18
© 2018 Electrolux Home Products, Inc.

FPSC2278UF COUNTER-DEPTH SIDE-BY-SIDE REFRIGERATOR

22 CU. FT.

FRIGIDAIRE
PROFESSIONAL



INSTALLATION SPECIFICATIONS

- Product Shipping Weight (approx.) – 325 Lbs.
- Voltage Rating – 120V / 60 Hz / 15 Amps
- Connected Load (kW Rating) @ 120 Volts = 1.02 kW (For use on adequately wired 120V, dedicated circuit having 2-wire service with a separate ground wire. Appliance must be grounded for safe operation.)
- Amps @ 120 Volts = 8.5 Amps
- Always consult local and national electric & plumbing codes.
- Floor should be level surface of hard material, capable of supporting fully loaded refrigerator.
- When installing refrigerator adjacent to wall, cabinet or other appliance that extends beyond front edge of unit, 20" minimum clearance recommended to allow for optimum 120° to 180° door swing, providing complete drawer / crisper access and removal. (*Absolute 4-1/2" minimum clearance will ONLY allow for 90° door swing which will provide drawer / crisper access with restricted removal.*)
- To ensure optimum performance, avoid installing in direct sunlight or close

- proximity to range, dishwasher or other heat source.
- For proper ventilation, front grille MUST remain unobstructed.
- Recess electrical outlet when possible.
- Water recess on rear wall recommended to prevent water line damage.
- Water Pressure – Cold water line must provide between 30 and 100 pounds per square inch (psi).
- Copper tubing with 1/4" O.D. recommended for water supply line with length equal to distance from rear of unit to household water supply line plus 7 additional feet. Optional Water Supply Installation Kits available.
- Adjustable front rollers to assist with door alignment.

"BUILT-IN LOOK" SPECIFICATIONS

- Minimum opening of 70-1/4" H x 36" W x 25" D required to allow for ease of installation, proper air circulation, and plumbing / electrical connections.
- Remove all wall / floor molding prior to installation.



FRIGIDAIRE

USA • 10200 David Taylor Drive • Charlotte, NC 28262 • 1-800-FRIGIDAIRE • frigidaire.com
CANADA • 5855 Terry Fox Way • Mississauga, ON L5V 3E4 • 1-800-265-8352 • frigidaire.ca

Note: For planning purposes only. Always consult local and national electric, gas and plumbing codes. Refer to Product Installation Guide for detailed installation instructions on the web at frigidaire.com / frigidaire.ca. Specifications subject to change. Accessories information available on the web at frigidaire.com / frigidaire.ca

FPSC2278UF 9/18
© 2018 Electrolux Home Products, Inc.