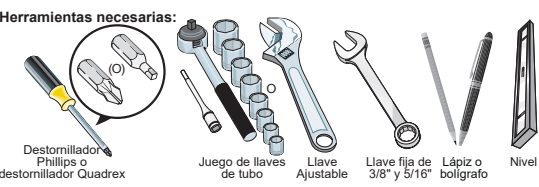


WARNING
To avoid electric shock, which can cause death or severe personal injury, do not connect your appliance to an electrical power source until you have completed Step 3 of these instructions.



NOTE
These installation instructions are provided only as a possible customer option. We recommend you use a service or kitchen contracting professional to install your appliance.

1 Site Installation

Your unit is designed to be free standing as part of a kitchen. Be sure to coordinate site preparation and installation with your kitchen contractor. Include these minimum guidelines in your site preparation:

- For side-by-side paired units, make sure there are 2 separate dedicated grounding-type duplex wall outlets for the freezer and the refrigerator.
- Do not use an extension cord or an adapter plug.
- The floor should be level and able to support a fully loaded appliance.
- Avoid direct sunlight and close proximity to a range, dishwasher or other heat source.
- The ice maker and water dispenser require water supply access (some models).
- For complete access to drawers, fully open the doors.

Allow the following clearances for ease of installation, proper air circulation, and plumbing and electrical connections: **Sides: 3/16" / Top & Rear: 1"**

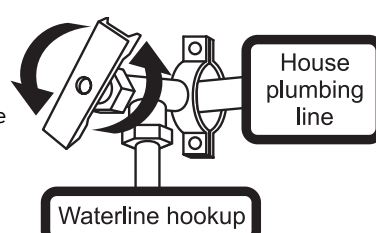
NOTE
Information about cabinetry construction for your new appliance is available for contractors. Please refer to your Use & Care Manual for more information.

CAUTION
Refrigerator: Room temperatures below 55°F (13°C) or above 110°F (43°C) will impair cooling ability of the compressor.
Freezer: Room temperatures below 0°F (-18°C) or above 110°F (43°C) will impair cooling ability of the compressor.

2 Water Supply Connection (some models)

What you will need:

- Access to a cold water line with pressure between 30 and 100 psi.
- A water supply line made of braided stainless steel tubing or polyline. To determine the length needed, measure the distance from the water valve inlet at the back of the refrigerator to your cold water pipe. Then add approximately 6' (1.8 m), so the refrigerator can be moved out for cleaning.
- A shutoff valve to connect the water supply line to your household water system. **DO NOT** use a self-piercing type shutoff valve.
- Before using the water dispenser (some models) for the first time or after changing the water filter you must prime your water dispenser system. Using a drinking glass dispense water for 4 minutes to flush the water system.



CAUTION
To avoid property damage:
• Use a water supply line made of braided stainless steel tubing or polyline.
• Ensure water supply complies with local plumbing codes.

NOTE
Check with your local building authority for recommendations on water lines and associated materials prior to installing your new appliance. Depending on your local/state building codes, we recommend, for homes with existing valves, Smart Choice® water line kit 5305513409 (with a 6' Stainless Steel Water Line), and for homes without an existing valve, we recommend Smart Choice® water line kit 5305510264 (with a 20' copper water line with self-tapping saddle valve). Please refer to your Use & Care Manual for more information.



- The water dispenser inside the cabinet allows the water nozzle (A) to be recessed against cabinet when not in use and to be extended outward when in use. To use the water dispenser, push the water nozzle (A) so it is fully extended. Place a drinking cup against the paddle (B) and press to dispense water. When finished press water nozzle (A) to recess back into cabinet (if desired).
- The unit will not produce ice during the first 24 hours of operation.
- Enable **Water Dispenser** on the appliance control display, and fully extend the water nozzle.
- For additional information see **WATER SUPPLY CONNECTION** in the Use & Care Manual.

CAUTION
While we do not recommend copper water lines, if you choose to use copper, **DO NOT** reuse compression fitting or use thread seal tape. Use a new compression nut and ferrule (sleeve) for connecting a copper supply line to the inlet water valve.

3 Transporting and Permanent Position Placement

If possible, use a hand truck to position the appliance directly in front of the cabinet enclosure. Ensure sufficient clearances when moving the appliance through doorways and openings to prevent damage to your appliance.



After removing the external packaging from your appliance, you may still need to use a hand truck to move it through close spaces or entrances. **CAUTION: Only remove the door protective door pad and film once the appliance is in its final position.** If the unit is larger than the entrance door, remove the entrance door.

When using a hand truck:
• Load the appliance from the side of cabinet only, with the handle side of the appliance closest to the hand truck to prevent the door opening.
• Do not run retaining straps over the handles.
• Do not over-tighten the retaining straps.
• Never use the appliance handles to move the appliance.
• Remove tape from the doors only after the unit is in place.

CAUTION
• Do not allow the hand truck retention strap to make contact with the unit to prevent damage.
• The appliance is heavy. We recommend 2 people for moving the appliance.
• Shifting the appliance from side to side may damage flooring.
• Do not block the lower front of your appliance. Sufficient air circulation is essential to operate your appliance properly.

Be careful to not move the unit beyond its water supply (copper tubing) connections.
Plug in the power cord, and push the appliance straight back into place.

IMPORTANT
If you are installing your appliance without connecting it to a water supply, make sure you turn off the ice maker/water dispenser (some models) on the appliance control display (see the Use & Care Manual for more details).

4 Refrigerator Leveling and Door Adjustment (if necessary)

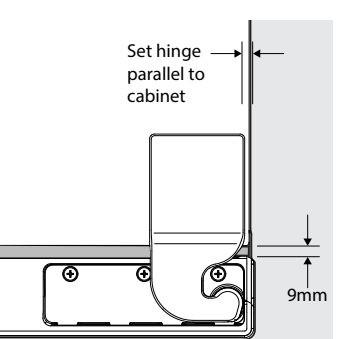
Guidelines for final positioning of your appliances:

- Rest all bottom feet firmly on a solid floor.
- The cabinet should be level at the front, rear, and sides. It is **VERY IMPORTANT** for your unit to be level in order to function properly. If the appliance is not leveled during installation, the door may be misaligned and not close or seal properly, causing cooling, frost or moisture problems. You must level the unit for the ice maker to function properly.
- Level the appliance near the final location, and then adjust as necessary until the appliance is leveled.

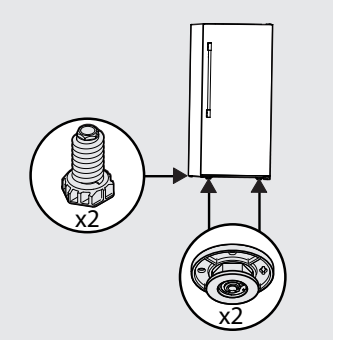
CAUTION
This unit does not have rollers. Use an appliance slider or protective floor covering while moving the unit into place. Do not slide the unit with leveling legs fully extended.

CAUTION
The cabinet is heavy. We recommend two people to level the cabinet.

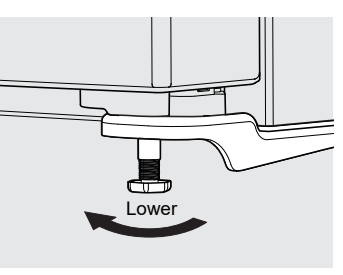
If transporting your unit requires door removal, you must have a consistent 9 mm door gap around the perimeter of the cabinet to ensure proper gasket sealing to prevent frost in freezer. Measure the 9 mm gap from the metal of the cabinet to the metal on the door.



To level the appliance:
Insert the appliance slider under the unit. Place the unit into its location. Use a level to make sure the unit is level from front to back and side to side. First adjust the front leveling legs, and then the rear if necessary. If you cannot access the rear leveling legs, slide the unit back out and adjust it. Slide the unit back into place and recheck with the level. Repeat if necessary.



Setting the anti-tip bracket:
Units are equipped with an anti-tip bracket. The anti-tip bracket is located on the lower front corner of the cabinet, on the lower hinge bracket. After fully leveling the unit, lower the anti-tip foot by turning it clockwise until it securely contacts the floor. Do not raise the cabinet.



WARNING
You must install the anti-tip device according to the instructions in your Use & Care Manual. Failure to do so may result in injury.

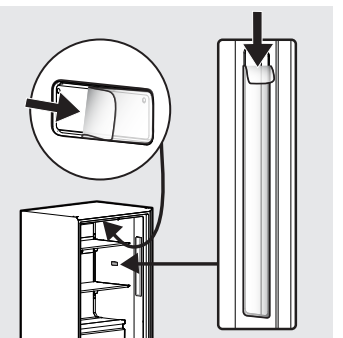
5 Internal Shipping Materials Removal

Location of these materials may vary depending on your model.
We use packing foam, corrugate, clips, and tape to secure the internal parts of your appliance for shipping. Once you place the appliance in position, you can remove this material. We recommend you remove ALL packaging tape from the appliance.

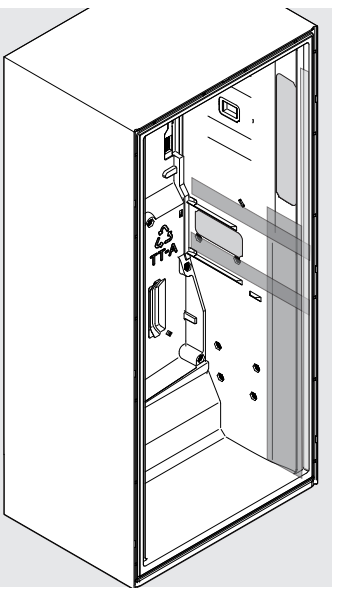


6 Protective Interior Film Removal

IMPORTANT
Be sure to remove the protective film on all LED light covers. Leaving them in place may cause frost to form on the protective lens covers and the surrounding area.



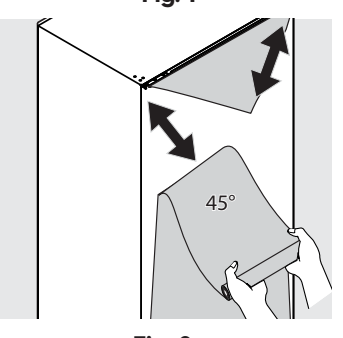
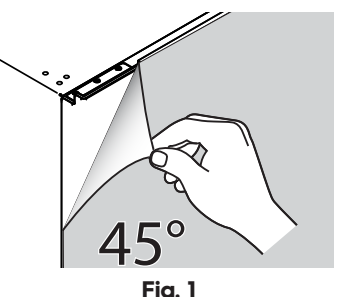
Carefully remove the protective film from the side walls of the cabinet liner (some models). To remove begin at one corner and pull the film away from the liner. Do not use sharp objects to remove the protective film to prevent damaging the liner.



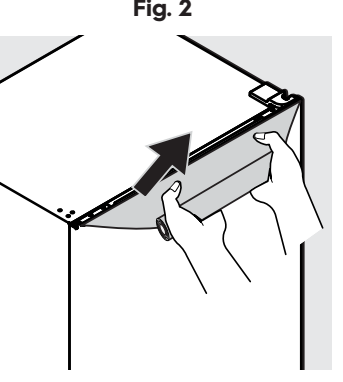
7 Protective Door Film Removal

NOTE
You should not remove the door pad and protective films until you completely install the appliance.

1. Peel the protective film from the upper RH and LH corners downward at a 45° angle (Fig. 1). Continue tearing diagonally across the door in a downward motion until you remove the protective film in a "V" pattern on the door (Fig. 2).

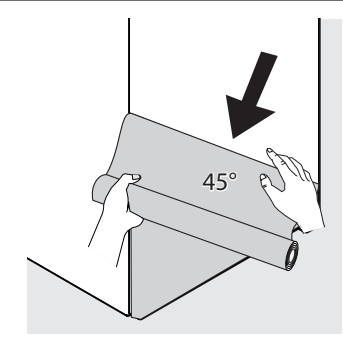


2. Gather any loose excess film, rolling it up. Then pull the film upward (Fig. 3). Continue pulling the film until it is approximately 2" from the upper door edge. Using a slow and steady motion while maintaining a 45° angle with the upper edge, pull the remaining film, starting from either the left or right side upward against the plastic door end cap.



3. Pull the lower section of the protective film downward at a 45° angle, gathering any loose excess film, rolling it up. Continue pulling the film until it is approximately 2" from the lower door edge. **Note:** It may be helpful to place second hand on the film in close proximity to the door panel to ease the film removal process (Figure 4).

4. While holding the loose film in one hand, use your second hand to push the remaining film downward against the lower door edge using a slow and steady motion while maintaining a 45° angle with lower door edge. Continue to use the second hand to push/pull on remaining film in a slow and steady downward motion until you fully remove the film.



WARNING
Do not use a knife to remove remaining pieces of film.

8 Suggestions

You may experience operation problems if you do not complete any of the installation tasks. Here is a list of things to check for:

- Is the power cord plugged in?
- Is the appliance connected to the household water supply?
- Is the household water supply valve turned on?
- If you had to remove the appliance doors, are the door gaskets sealing properly around the entire perimeter of the cabinet?
- Is **Ice Maker** illuminated on the appliance control display (some models)?
- Is **Water Dispenser** illuminated on the appliance control display (some models)?
- Is the unit properly leveled to ensure the ice maker functions properly?
- For a paired set, check to make sure the doors do not interfere with opening and closing.

Other possibilities to check:

- Is the power to the receptacle turned on?
- Is the water filter in the fresh food compartment fully seated (some models; see the Use & Care Manual for details)?

If you still have operation problems after checking these suggestions, please see the **TROUBLESHOOTING** section in your Use & Care Manual.

Congratulations. You are ready to begin enjoying your new appliance(s).
To become aware of **IMPORTANT SAFETY INFORMATION** and learn how to operate your appliance(s), please read the entire Use & Care Manual.
Start with the **NORMAL OPERATING SOUNDS** section of the Manual to learn more about what to expect during typical operation.
Please register your product online, or you can simply send in the Registration Card.

9 Door Handle Installation

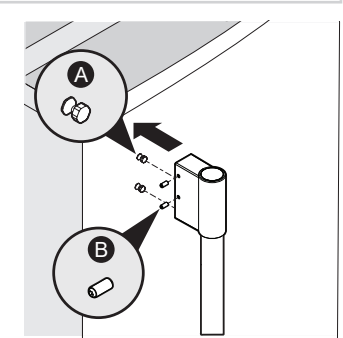
NOTE
Install the door handle only once you have fully installed the unit since you will need to remove the door protective pad and the protective film before this step.

CAUTION
Wear gloves and use extreme CAUTION when installing these handles. The rounded end of the handles may be sharp.

NOTE
Tighten and sub-flush all set screws (seat the Allen set screw just below the surface of the end cap) of handle end cap. Draw the end caps tight to the door with no gaps.

Door Handle Mounting Instructions

- Remove the handle and any protective packaging from inside the appliance.
- Position the handle end caps over the upper and lower pre-installed shoulder bolts (A) fastened into the door, ensuring the holes for the set screws are facing away from the hinge.
- While holding the handle firmly against the door, fasten the upper and lower Allen set screws (B) with the supplied Allen wrench.



10 Installation Checkoff List

- | Doors | Ice Maker/Water Supply |
|---|---|
| <input type="checkbox"/> Handles are secure and tight | <input type="checkbox"/> House water supply is connected to the appliance |
| <input type="checkbox"/> Door seals completely to the cabinet on all sides | <input type="checkbox"/> No water leaks present at all connections - recheck in 24 hours |
| <input type="checkbox"/> Door is level from side to side across the top | <input type="checkbox"/> Ice maker is turned ON or water dispenser is turned ON (varies by model) |
| Leveling | Final Checks |
| <input type="checkbox"/> Appliance is level, side to side and front to back | <input type="checkbox"/> Shipping material removed |
| <input type="checkbox"/> Cabinet is set solid on all 4 leveling feet | <input type="checkbox"/> Appliance temperatures are set to recommended settings |
| <input type="checkbox"/> Anti-tip bracket is set in front of the unit | <input type="checkbox"/> Registration card sent in |
| Electrical Power | <input type="checkbox"/> Provided accessories and consumables are installed (vary by model) |
| <input type="checkbox"/> House power is turned on | |
| <input type="checkbox"/> Appliance is plugged in | |

11 Accessory Kits

Included Accessories (vary by model):
• Handle Installation Kit
• Upper and Lower Hinge Covers
• Air Filter
• Ice Scoop
• Produce Keeper
• Water Filter (installed)

Your freezer includes a filtered ice kit. The filtered ice kit provides a way for the freezer to receive "filtered" water from the refrigerator when they are paired together. If you install the freezer as a stand-alone appliance, then store the filtered ice kit with product literature for safe keeping.

Trim kits are optional kits designed to provide a built-in look for the refrigerator and freezer. Trim kits come in multiple sizes and finishes. Go online to see recommended cabinet sizes.

