



Refrigerator

User manual

Free Standing Appliance

SAMSUNG



Contents

Safety information	3
What you need to know about the safety instructions	3
Important safety symbols and precautions:	5
Important safety precautions	6
Severe warning signs for transportation and site	10
Critical installation warnings	11
Installation cautions	14
Critical usage warnings	15
Usage cautions	20
Cleaning cautions	23
Critical disposal warnings	25
Additional tips for proper usage	26
Instructions about the WEEE	27
Installation	28
Refrigerator at a glance	28
Step-by-step installation	30
Operations	43
Main panel	43
SmartThings (applicable models only)	48
Special features	51
Maintenance	60
Handle and care	60
Cleaning	63
Replacement	65
Troubleshooting	67
General	67
Do you hear abnormal sounds from the refrigerator?	71
SmartThings (applicable models only)	73
Open Source Announcement	74



Safety information

Before using your new Samsung Refrigerator, please read this manual thoroughly to ensure that you know how to operate the features and functions that your new appliance offers safely and efficiently.

What you need to know about the safety instructions

- Warnings and Important Safety Instructions in this manual do not cover all possible conditions and situations that may occur.
It is your responsibility to use common sense, caution, and care when installing, maintaining, and operating your appliance.
- Because these following operating instructions cover various models, the characteristics of your refrigerator may differ slightly from those described in this manual and not all warning signs may be applicable. If you have any questions or concerns, contact your nearest service center or find help and information online at www.samsung.com.
- R-600a or R-134a is used as a refrigerant. Check the compressor label on the rear of the appliance or the rating label inside the fridge to see which refrigerant is used for your appliance. When this product contains flammable gas (Refrigerant R-600a), contact your local authority in regard to safe disposal of this product.
- In order to avoid the creation of a flammable gas-air mixture if a leak in the refrigerating circuit occurs, the size of the room in which the appliance may be sited depends on the amount of refrigerant used.

Safety information

- Never start up an appliance showing any signs of damage. If in doubt, consult your dealer. The room must be 1 m³ in size for every 8 g of R-600a refrigerant inside the appliance.
The amount of refrigerant in your particular appliance is shown on the identification plate inside the appliance.
- Refrigerant squirting out of the pipes could ignite or cause an eye injury. When refrigerant leaks from the pipe, avoid any naked flames and move anything flammable away from the product and ventilate the room immediately.
 - Failing to do so may result in fire or explosion.
- To avoid contamination of food, please respect the following instructions:
 - Opening the door for long periods can cause a significant increase of the temperature in the compartments of the appliance.
 - Clean regularly surfaces that can come in contact with food and accessible drainage systems.
 - Clean water tanks if they have not been used for 48 h; flush the water system connected to a water supply if water has not been drawn for 5 days.
 - Store raw meat and fish in suitable containers in the refrigerator, so that it is not in contact with or drip onto other food.
 - Two-star frozen-food compartments are suitable for storing pre-frozen food, storing or making icecream and making ice cubes.
 - One-, two- and three-star compartments are not suitable for the freezing of fresh food.

-
- If the refrigerating appliance is left empty for long periods, switch off, defrost, clean, dry, and leave the door open to prevent mould developing within the appliance.

Important safety symbols and precautions:

Please follow all safety instructions in this manual. This manual uses the following safety symbols.

WARNING

Hazards or unsafe practices that may result in **severe personal injury, property damage, and/or death.**

CAUTION

Hazards or unsafe practices that may result in **severe personal injury and/or property damage.**

NOTE

Useful information that helps users understand or benefit from the refrigerator.

These warning signs are here to prevent injury to you and others.

Please follow them carefully.

After reading this section, keep it in a safe place for future reference.

Safety information

Important safety precautions



WARNING; Risk of fire / flammable materials

WARNING

- When positioning the appliance, ensure the supply cord is not trapped or damaged.
- Do not locate multiple portable socket-outlets or portable power supplies at the rear of the appliance.
- Fill with potable water only.
- Connect to potable water supply only.
- Keep ventilation openings, in the appliance enclosure or in the built-in structure, clear of obstruction.
- Do not use mechanical devices or any other means to accelerate the defrosting process, other than those recommended by the manufacturer.
- Do not damage the refrigerant circuit.
- Do not use electrical appliances inside the food storage compartments of the appliance, unless they are of the type recommended by the manufacturer.

- This appliance is not intended for use by persons (including children) with reduced physical, sensory, or mental capabilities, or those who lack experience and knowledge, unless they have been given supervision or instruction concerning the use of the appliance by a person responsible for their safety.

- This appliance can be used by children aged from 8 years and above and persons with reduced physical, sensory or mental capabilities or lack of experience and knowledge if they have been given supervision or instruction concerning use of the appliance in a safe way and understand the hazards involved.
Children shall not play with the appliance. Cleaning and user maintenance shall not be made by children without supervision.
- If the supply cord is damaged, it must be replaced by the manufacturer, its service agent or similarly qualified persons in order to avoid a hazard.
- The socket must be easily accessible so that the appliance can be quickly disconnected from the supply in an emergency.
 - It must be outside the area of the rear of the appliance.
- Do not store explosive substances such as aerosol cans with a flammable propellant in this appliance.
- If the product is equipped with LED lamps, do not disassemble the Lamp Covers and LED lamps yourself.
 - Contact a Samsung service center.
 - Use only the LED Lamps provided by the manufacturer or its service agents.
- New hose-sets supplied with the appliance are to be used and old hose-sets should not be reused.
- Have the refrigerator's water supply connected only to a potable water supply. To operate the ice maker properly, water pressure of 30 - 125 psi (206 - 862 kPa) is required.



Safety information

- For the most efficient use of energy, please keep the all inner fittings such as baskets, drawers, shelves on the position supplied by manufacturer.
- To get the best energy efficiency of this product, please leave all shelves, drawers and baskets on their original position.

How to minimize the energy consumption

- Install the appliance in a cool, dry room with adequate ventilation.
- Ensure that it is not exposed to direct sunlight and never put it near a direct source of heat (radiator, for example).
 - Not to block any vents or grilles is recommended for energy efficiency.
 - Allow warm food to cool down before placing it in the appliance.
 - Put frozen food in the refrigerator to thaw. You can then use the low temperatures of the frozen products to cool food in the refrigerator.
 - Do not keep the door of the appliance open for too long when putting food in or taking food out.
 - The shorter time for which the door is open, the less ice will form in the freezer.
 - Clean the rear of the refrigerator regularly. Dust increases energy consumption.
 - Do not set temperature colder than necessary.
 - Ensure sufficient air exhaust at the refrigerator base and at the back wall of the refrigerator. Do not cover air vent openings.



-
- Allow clearance to the right, left, back and top when installing. This will help reduce power consumption and keep your energy bills lower.
 - We recommend the value of clearance to be :
 - Right, left, and back side: more than 50 mm
 - Top side: more than 100 mm

This appliance is intended to be used in household and similar applications such as

- staff kitchen areas in shops, offices and other working environments;
- farm houses and by clients in hotels, motels and other residential type environments;
- bed and breakfast type environments;
- catering and similar non-retail applications.

Safety information

Severe warning signs for transportation and site

WARNING

- When transporting and installing the appliance, care should be taken to ensure that no parts of the refrigerating circuit are damaged.
 - Refrigerant leaking from the pipe work could ignite or cause an eye injury. If a leak is detected, avoid any naked flames or potential sources of ignition and air the room in which the appliance is standing for several minutes.
 - This appliance contains a small amount of isobutane refrigerant (R-600a), a natural gas with high environmental compatibility that is, however, also combustible. When transporting and installing the appliance, care should be taken to ensure that no parts of the refrigerating circuit are damaged.
- When transporting and installing the refrigerator, do not touch the water hose on the back side of the refrigerator.
 - This may damage the refrigerator and as a result the water dispenser can not be used.

Critical installation warnings

WARNING

- Do not install the refrigerator in a damp location or place where it may come in contact with water.
 - Deteriorated insulation on electrical parts may cause an electric shock or fire.
- Do not place this refrigerator in direct sunlight or expose it to the heat from stoves, room heaters, or other appliances.
- Do not plug several appliances into the same multiple power strip. The refrigerator should always be plugged into its own individual electrical outlet which has a voltage rating that matches the voltage listed on the refrigerator's rating plate.
 - This provides the best performance and also prevents overloading of house wiring circuits, which could cause a fire hazard from overheated wires.
- If the wall socket is loose, do not insert the power plug.
 - There is a risk of electric shock or fire.
- Do not use a power cord that has cracks or abrasion damage along its length or at either end.
- Do not bend the power cord excessively or place heavy objects on it.
- Do not pull or excessively bend the power cord.
- Do not twist or tie the power cord.
- Do not hook the power cord over a metal object, place a heavy object on the power cord, insert the power cord between objects, or push the power cord into the space behind the appliance.

Safety information

- When moving the refrigerator, be careful not to roll over or damage the power cord.
 - This may result in an electric shock or fire.
- Never unplug your refrigerator by pulling on the power cord. Always grip the plug firmly and pull straight out from the outlet.
 - Damage to the cord may cause a short-circuit, fire, and/or electric shock.
- Do not use aerosols near the refrigerator.
 - Using aerosols near the refrigerator may cause an explosion or fire.
- Do not install this appliance near a heater or inflammable material.
- Do not install this appliance in a location where gas may leak.
 - This may result in an electric shock or fire.
- This refrigerator must be properly located and installed in accordance with the instructions in this manual before you use it.
- Connect the power plug in the proper position with the cord hanging down.
 - If you connect the power plug upside down, the wire can get cut off and cause a fire or electric shock.
- Make sure that the power plug is not crushed or damaged by the back of the refrigerator.
- Keep the packing materials out of reach of children.
 - There is a risk of death from suffocation if a child puts the packing materials on his or her head.

-
- Do not install this appliance in a humid, oily or dusty location, in a location exposed to direct sunlight and water (rain drops).
 - Deteriorated insulation of electrical parts may cause an electric shock or fire.
 - Do not stand on top of the appliance or place objects (such as laundry, lighted candles, lighted cigarettes, dishes, chemicals, metal objects, etc.) on the appliance.
 - This may result in an electric shock, fire, problems with the product, or injury.
 - You need to remove all the protective plastic film before you initially plug the product in.
 - Children should be supervised to ensure that they do not play with the snap rings used for door adjustment or the water tube clips.
 - There is risk of death by suffocation if a child swallows a snap ring or water tube clip. Keep the snap rings and water tube clips out of children's reach.
 - The refrigerator must be safely grounded.
 - Always make sure that you have grounded the refrigerator before attempting to investigate or repair any part of the appliance. Power leakages can cause severe electric shock.
 - Never use gas pipes, telephone lines, or other potential lightning attractors as an electrical ground.
 - You must ground the refrigerator to prevent any power leakages or electric shocks caused by current leakage from the refrigerator.
 - This may result in an electric shock, fire, explosion, or problems with the product.

Safety information

- Plug the power plug into the wall socket firmly. Do not use a damaged power plug, damaged power cord, or loose wall socket.
 - This may result in an electric shock or fire.
- The fuse on the refrigerator must be changed by a qualified technician or service company.
 - Failing to do so may result in an electric shock or personal injury.

Installation cautions

CAUTION

- Allow sufficient space around the refrigerator and install it on a flat surface.
 - If your refrigerator is not level, cooling efficiency and durability can be declined.
- Allow the appliance to stand for 2-3 hours before loading foods after installation and turning on.
- We strongly recommend you have a qualified technician or service company install the refrigerator.
 - Failing to do so may result in an electric shock, fire, explosion, problems with the product, or injury.

Critical usage warnings

WARNING

- Do not insert the power plug into a wall socket with wet hands.
 - This may result in an electric shock.
- Do not store articles on the top of the appliance.
 - When you open or close the door, the articles may fall and cause personal injury and/or material damage.
- Do not insert hands, feet or metal objects (such as chopsticks, etc.) into the bottom or the back of the refrigerator.
 - This may result in an electric shock or injury.
 - Any sharp edges may cause a personal injury.
- Do not touch the inside walls of the freezer or products stored in the freezer with wet hands.
 - This may cause frostbite.
- Do not put a container filled with water on the refrigerator.
 - If spilled, there is a risk of fire or electric shock.
- Do not keep volatile or flammable objects or substances (benzene, thinner, propane gas, alcohol, ether, LP gas, and other such products) in the refrigerator.
 - This refrigerator is for storing food only.
 - This may result in fire or explosion.
- Children should be supervised to ensure that they do not play with the appliance.
 - Keep fingers out of “pinch point” areas. Clearances between the doors and cabinet are necessarily small. Be careful when you open the doors if children are in the area.

Safety information

- Do not put your fingers or children's fingers between the doors.
 - Keep fingers out of the left and right door gaps. Be careful when you open the doors if your fingers are in between the doors.
- Do not let children hang on the door or door bins. A serious injury may occur.
- Do not let children go inside the refrigerator. They could become trapped.
- Do not insert your hands into the bottom area under the appliance.
 - Any sharp edges may cause personal injury.
- Do not store pharmaceutical products, scientific materials, or temperature sensitive products in the refrigerator.
 - Products that require strict temperature controls must not be stored in the refrigerator.
- If you smell pharmaceutical or smoke, pull out power plug immediately and contact your Samsung Electronics service center.
- If any dust or water is in Refrigerator, pull out power plug and contact your Samsung Electronics service center.
 - Otherwise there is a risk of fire.
- Do not let children step on a drawer.
 - The drawer may break and cause them to slip.
- Do not leave the doors of the refrigerator open while the refrigerator is unattended and do not let children enter inside the refrigerator.
- Do not allow babies or children go inside the drawer.
 - It can cause death from suffocation by entrapment or personal injury.

- Do not overfill the refrigerator with food.
 - When you open the door, an item may fall out and cause personal injury or material damage.
- Do not spray volatile material such as insecticide onto the surface of the appliance.
 - As well as being harmful to humans, it may also result in an electric shock, fire, or problems with the product.
- Never put fingers or other objects into the water dispenser hole, ice chute and ice maker bucket.
 - It may cause a personal injury or material damage.
- Do not use or place any substances sensitive to temperature such as flammable sprays, flammable objects, dry ice, medicine, or chemicals near or inside of the refrigerator.
- Do not use a hair dryer to dry the inside of the refrigerator. Do not place a lighted candle in the refrigerator for removing bad odours.
 - This may result in an electric shock or fire.
- Fill the water tank and ice cube trays with potable water only (tap water, mineral water, or purified water).
 - Do not fill the tank with tea or a sports drink. This may damage the refrigerator.
- Do not stand on top of the appliance or place objects (such as laundry, lighted candles, lighted cigarettes, dishes, chemicals, metal objects, etc.) on the appliance. This may result in an electric shock, fire, problems with the product, or injury. Do not put a container filled with water on the appliance.
 - If spilled, there is a risk of fire or electric shock.



Safety information

- Do not put shelf in upside down. Shelf stopper could not work.
 - It may cause a personal injury because of glass shelf drop.
- If a gas leak is detected, avoid any naked flames or potential sources of ignition, and air the room in which the appliance is standing for several minutes.
 - Do not touch the appliance or power cord.
 - Do not use a ventilating fan.
 - A spark may result in explosion or fire.
- Bottles should be stored tightly together so that they do not fall out.
- This product is intended only for the storage of food in a domestic environment.
- Never put fingers or other objects into the water dispenser hole, ice chute and ice maker bucket.
 - It may cause a personal injury or material damage.
- Do not attempt to repair, disassemble, or modify the refrigerator yourself.
- Do not use any fuse (such as cooper, steel wire, etc.) other than a standard fuse.
- If your refrigerator needs to be repaired or reinstalled, contact your nearest service center.
 - Failing to do so may result in an electric shock, fire, problems with the product, or injury.
- If the refrigerator emits a burning smell or smoke, unplug the refrigerator immediately and contact your Samsung Electronics service center.
 - Failing to do so may result in an electric or fire hazards.



-
- Pull the power plug out of the socket before changing the interior lamps of the refrigerator.
 - Otherwise, there is a risk of electric shock.
 - If you experience difficulty changing a non-LED light, contact a Samsung service center.
 - Plug the power plug into the wall socket firmly.
 - Do not use a damaged power plug, damaged power cord or loose wall socket.
 - This may result in an electric shock or fire.

Safety information

Usage cautions

CAUTION

- Do not refreeze thawed food.
 - Frozen and thawed food will develop harmful bacteria faster than fresh.
 - The second thaw will break down even more cells, leaching out moisture and changing the integrity of the product.
- Do not thaw meat at room temperature.
 - Safety will depend on whether the raw product was handled properly.
- Do not place glass bottles or carbonated beverages into the freezer.
 - The container may freeze and break, and this may result in injury.
- Use only the ice maker provided with the refrigerator.
- If you will be away from home for a long period of time (on vacation, for example) and won't be using the water or ice dispensers, close the water valve.
 - Otherwise, water leakage may occur.
- If you won't be using the refrigerator for a very long period of time, (3 weeks or more) empty the refrigerator including the ice bucket, unplug it, close the water valve, wipe excess moisture from the inside walls, and leave the doors open to prevent odors and mold.
- To get the best performance from the product:
 - Do not place food too close to the vents at the rear of the refrigerator as this can obstruct free air circulation in the refrigerator compartment.

-
- Wrap food up properly or place it in airtight containers before putting it into the refrigerator.
 - Please observe maximum storage times and expiration dates of frozen goods.
 - There is no need to disconnect the refrigerator from the power supply if you will be away for less than three weeks. However, if you will be away for more than three weeks, remove all the food and ice in the ice bucket, unplug the refrigerator, close the water valve, wipe excess moisture from the inside walls, and leave the doors open to prevent odors and mold.
 - Service Warranty and Modification.
 - Any changes or modifications performed by a 3rd party on this finished appliance are not covered under Samsung warranty service, nor is Samsung responsible for safety issues that result from 3rd party modifications.
 - Do not block the air vents inside the refrigerator.
 - If the air vents are blocked, especially with a plastic bag, the refrigerator can be over cooled. If a cooling period lasts too long, the water filter may break and cause water leakage.
 - Use only the ice-maker provided with the refrigerator.
 - Wipe excess moisture from the inside and leave the doors open.
 - Otherwise, odor and mold may develop.
 - If the refrigerator is disconnected from the power supply, you should wait for at least five minutes before plugging it back in.

Safety information

- When the refrigerator got wet by water, pull out the power plug and contact your Samsung Electronics service center.
- Do not strike or apply excessive force to any glass surface.
 - Broken glass may result in a personal injury and/or property damage.
- Be careful that your fingers are not caught in.
- If the refrigerator is flooded, make sure to contact your nearest service center.
 - There is a risk of electric shock or fire.
- Do not keep vegetable oil in your refrigerator's door bins. The oil can solidify, making it foul-tasting and difficult to use. In addition, the open container can leak and the leaked oil can cause the door bin to crack. After opening an oil container, it is best to keep the container in a cool and shaded place such as a cupboard or pantry.
 - Examples of vegetable oil: olive oil, corn oil, grape-seed oil, etc.

Cleaning cautions

CAUTION

- Do not spray water directly on the inside or outside the refrigerator.
 - There is a risk of fire or electric shock.
- Do not use a hair dryer to dry the inside of the refrigerator.
- Do not place a lighted candle in the refrigerator to remove bad odors.
 - This may result in an electric shock or fire.
- Do not spray cleaning products directly on the display.
 - Printed letters on the display may come off.
- If any foreign substance such as water has entered the appliance, unplug the power plug and contact your nearest service center.
 - Failing to do so may result in an electric shock or fire.
- Use a clean, dry cloth to remove any foreign matter or dust from the power plug blades. Do not use a wet or damp cloth when cleaning the plug.
 - Otherwise, there is a risk of fire or electric shock.
- Do not clean the appliance by spraying water directly onto it.
- Do not use benzene, thinner, or Clorox, Chloride for cleaning.
 - They may damage the surface of the appliance and may cause a fire.
- Never put fingers or other objects into the dispenser hole.
 - It may cause a personal injury or material damage.

Safety information

- Before cleaning or performing maintenance, unplug the appliance from the wall socket.
 - Failing to do so may result in an electric shock or fire.
- Use a clean sponge or soft cloth and a mild detergent in warm water to clean the refrigerator.
- Do not use abrasive or harsh cleansers such as window sprays, scouring cleansers, flammable fluids, muriatic acid, cleaning waxes, concentrated detergents, bleaches, or cleansers containing petroleum products on exterior surfaces (doors and cabinet), plastic parts, door and interior liners, and gaskets.
 - These can scratch or damage the material.
- Do not clean glass shelves or covers with warm water when they are cold. Glass shelves and covers may break if exposed to sudden temperature changes or impacts such as bumping or dropping.



Critical disposal warnings

WARNING

- Please dispose of the packaging material from this product in an environmentally friendly manner.
- Ensure that none of the pipes on the back of the refrigerator are damaged prior to disposal.
- R-600a or R-134a is used as a refrigerant. Check the compressor label on the rear of the appliance or the rating label inside the fridge to see which refrigerant is used for your refrigerator. If this refrigerator contains flammable gas (Refrigerant R-600a), contact your local authority in regard to safe disposal of this product.
- When disposing of this refrigerator, remove the door/door seals and door latch so that small children or animals cannot become trapped inside. Children should be supervised to ensure that they do not play with the appliance. If trapped inside, a child may get hurt or suffocate to death.
 - If trapped inside, the child may become injury and suffocate to death.
- Cyclopentane is used in the insulation. The gases in the insulation material require a special disposal procedure. Please contact your local authorities in regard to the environmentally safe disposal of this product.
- Keep all packaging materials well out of the reach of children, as packaging materials can be dangerous to children.
 - If a child places a bag over his or her head, the child could suffocate.



Safety information

Additional tips for proper usage

- In the event of a power failure, call the local office of your electric company and ask how long the failure is going to last.
 - Most power failures that are corrected in an hour or two will not affect your refrigerator temperatures. However, you should minimize the number of door openings while the power is off.
 - Should the power failure last more than 24 hours, remove and discard all frozen food.
- The refrigerator might not operate consistently (frozen contents can thaw or temperatures can become too warm in the frozen food compartment) if sited for an extended period of time in a location where ambient air temperatures are constantly below the temperatures for which the appliance is designed.
- In case of particular foods, keeping it under refrigeration can have a bad effect on preservation due to its properties.
- Your appliance is frost free, which means there is no need to manually defrost your appliance. This will be carried out automatically.
- Temperature rise during defrosting complies with ISO requirements. If you want to prevent an undue rise in the temperature of frozen food while the appliance defrosts, wrap the frozen food in several layers of newspaper.
- Do not re-freeze frozen foods that have thawed completely.

- The temperature of two star section (sections) or compartment (compartments) which have two star symbol (**) is slightly higher than other freezer compartment (compartments).
The two star section (sections) or compartment (compartments) is (are) based on the instruction and/or the condition as delivered.

Instructions about the WEEE



Correct Disposal of This Product (Waste Electrical & Electronic Equipment) (Applicable in countries with separate collection systems)

This marking on the product, accessories or literature indicates that the product and its electronic accessories (e.g. charger, headset, USB cable) should not be disposed of with other household waste at the end of their working life. To prevent possible harm to the environment or human health from uncontrolled waste disposal, please separate these items from other types of waste and recycle them responsibly to promote the sustainable reuse of material resources.

Household users should contact either the retailer where they purchased this product, or their local government office, for details of where and how they can take these items for environmentally safe recycling.

Business users should contact their supplier and check the terms and conditions of the purchase contract. This product and its electronic accessories should not be mixed with other commercial wastes for disposal.

For information on Samsung's environmental commitments and product specific regulatory obligations e.g. REACH, WEEE, Batteries, visit our sustainability page available via [Samsung.com](https://www.samsung.com)

(For products sold in European countries only)

Installation

Follow these instructions carefully to ensure a proper installation of this refrigerator and to prevent accidents before using it.

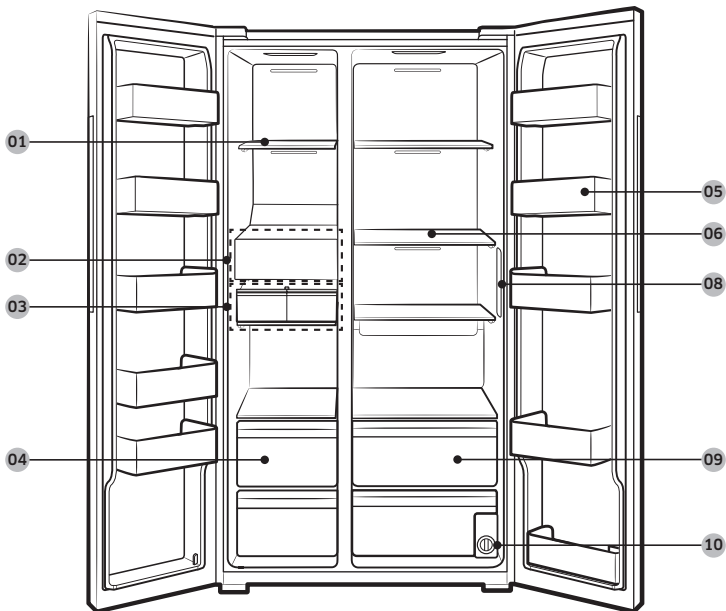
⚠ WARNING

- Use the refrigerator only for its intended purpose as described in this manual.
- Any servicing must be performed by a qualified technician.
- Dispose of the product packaging material in compliance with the local regulations.
- To prevent electric shock, unplug the power cord before servicing or replacements.

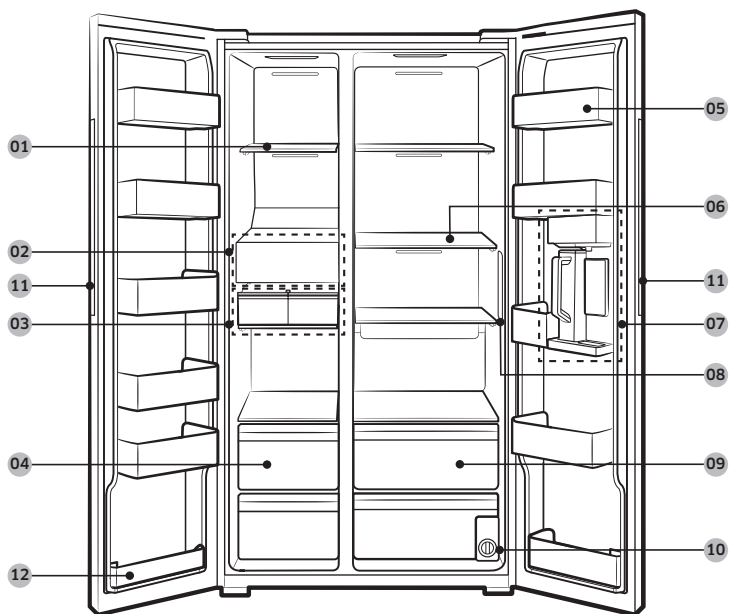
Refrigerator at a glance

The actual appearance of your refrigerator may differ, depending on the model and the country.

Type A



Type B



- | | | |
|-----------------------------------|-----------------------------------|-------------------------------------|
| 01 Freezer shelf | 02 Auto Ice maker (Dual) * | 03 Ice bucket * |
| 04 Freezer drawer | 05 Door bin | 06 Foldable shelf * |
| 07 Inner Beverage Center * | 08 Main Panel | 09 Fridge drawer |
| 10 Water filter * | 11 Auto door open sensor * | 12 Bottom Freezer door bin * |

* Applicable models only

NOTE

For some models, fridge shelves have different lengths. If you change the position of the shelves, they may bump into the items stored in the door bins. Make sure to put the shelves in their original position.

Installation

Step-by-step installation

STEP 1 Select a site

Site requirements:

- Solid, level surface without carpeting or flooring that may obstruct ventilation
- Away from direct sunlight
- Adequate room for opening and closing the door
- Away from a heat source
- Room for maintenance and servicing
- Temperature range: between 10 °C and 43 °C

Effective temperature range

The refrigerator is designed to operate normally in the temperature range specified by its class rating.

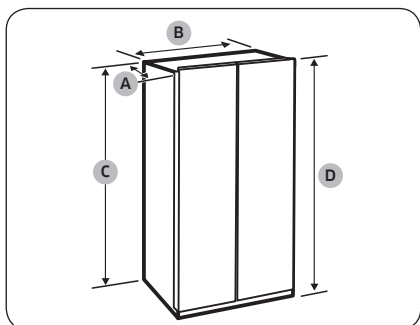
Class	Symbol	Ambient Temperature range (°C)	
		IEC 62552 (ISO 15502)	ISO 8561
Extended Temperate	SN	+10 to +32	+10 to +32
Temperate	N	+16 to +32	+16 to +32
Subtropical	ST	+16 to +38	+18 to +38
Tropical	T	+16 to +43	+18 to +43

NOTE

The cooling performance and power consumption of the refrigerator may be affected by the ambient temperature, the door-opening frequency, and the location of the refrigerator. We recommend adjusting the temperature settings as appropriate.

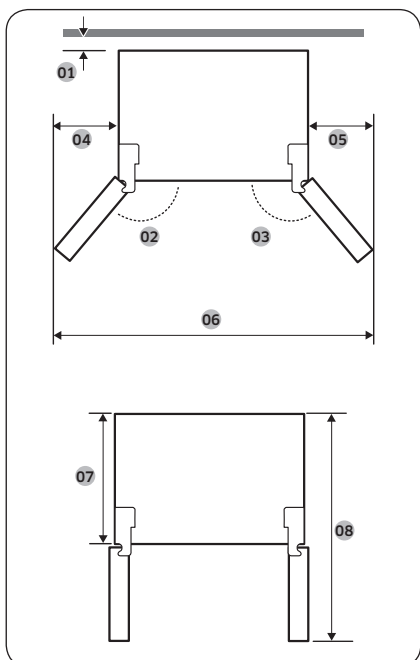
Clearance

See the following figures and tables for space requirements for installation.



Model	RS23CB7*	RS28CB7*
Depth "A"	732	857
Width "B"	912	912
Height "C"	1744	1744
Overall Height "D"	1782	1782

(unit: mm)



	RS23CB7*	RS28CB7*
01	more than 50 mm recommended	
02	165°	
03	165°	
04	355 mm	
05	461 mm	
06	1727 mm	
07	610 mm	735 mm
08	1179 mm	1304 mm

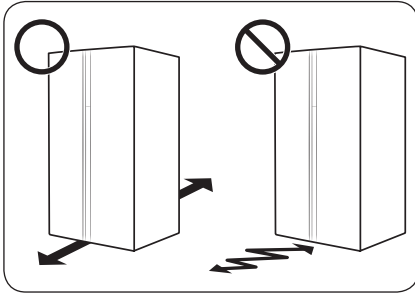
Installation

NOTE

The measurements in the above table may differ, depending on the measuring method.

Installation

STEP 2 Flooring



- The surface to install the refrigerator must support a fully loaded refrigerator.
- To protect the floor, put a large piece of cardboard on each leg of the refrigerator when you move it for installation.
- Once the refrigerator is in its final position, do not move it unless necessary to protect the floor. If you have to, use thick paper or cloth such as an old carpet along the movement path.

NOTE

If the refrigerator cannot pass through the entrance due to its size, see the **Door removal for entrance** section.

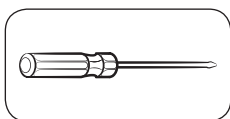


STEP 3 Door removal for entrance

If the refrigerator cannot pass through the entrance due to its size, follow these instructions:

Tools required (not provided)

These tools are used for removing the doors.



Phillips screwdriver

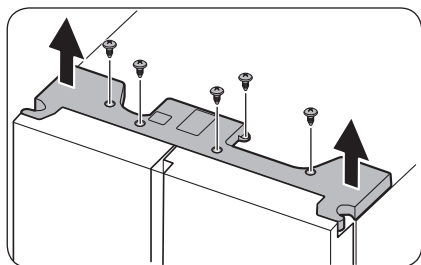
WARNING

Unplug the power cord of the refrigerator before removing the doors.

Detach the doors

CAUTION

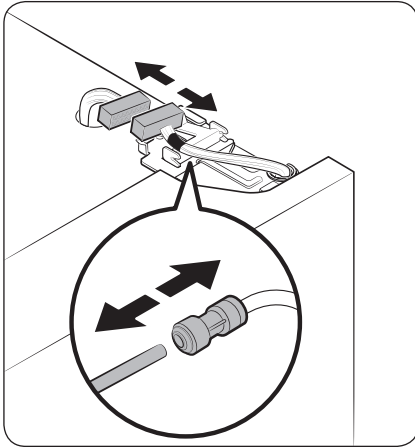
- The door may fall off or over and damage itself during any of these steps. To prevent an accident, use extreme caution when performing these steps.
- Do not remove both doors simultaneously. Make sure to remove one door at a time. Otherwise, any of the doors may fall and cause physical injury.



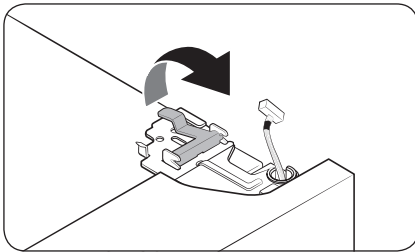
1. With the doors closed, use a Phillips screwdriver to remove the screws (x5) from the hinge cover. Pull up and remove the hinge cover with the connectors.



Installation



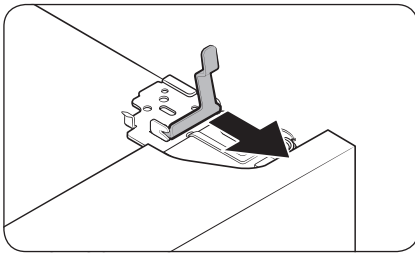
2. Disconnect the wire connector on the fridge door.
 - The position of the connectors differs with the model.
3. Disconnect the water tube from the coupler on the fridge door.
 - This step only applies to the models that require a water supply (for features such as AutoFill Pitcher, water dispenser, and ice maker).



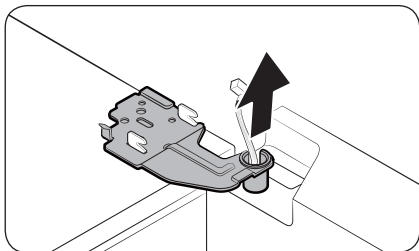
4. Gently lift the clamp.

NOTE

To prevent damage to the clamp or injuries, do not lift the clamp forcefully.



5. Pull the clamp to remove.



6. Open the door by 90 degrees. While holding the door, remove the hinge. Be careful not to damage the wire connectors when you remove the hinge.

⚠ CAUTION

If you remove the hinge without holding the door, the door may fall and cause injury.

7. Repeat steps 2-6 for the other door, except for step 3.
 - There is no water tube on the freezer door.

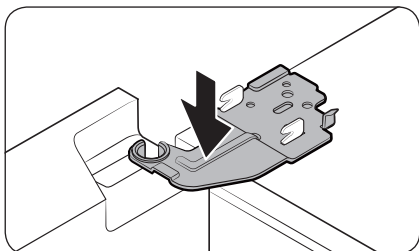
Reattach the doors

⚠ CAUTION

- When you reattach the doors, make sure that you properly connect all the wire connectors.
- The freezer door must be reattached before the fridge door.



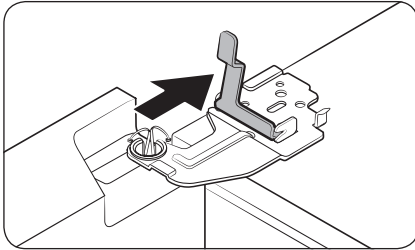
1. Hold the freezer door and hook to the hinge at the bottom of the refrigerator.



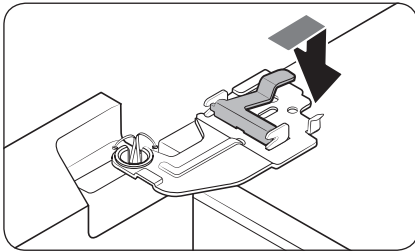
2. Put the hinge into its position, and then insert it into the hole on the door.



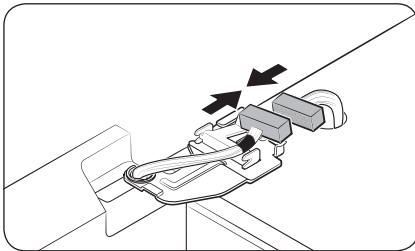
Installation



3. Insert the clamp in the arrow direction.



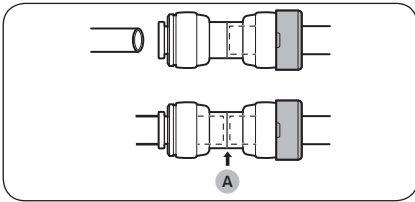
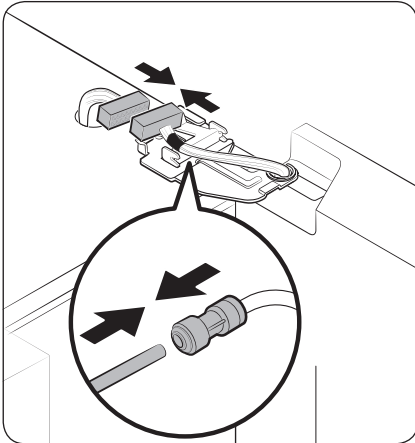
4. Press the clamp as shown.



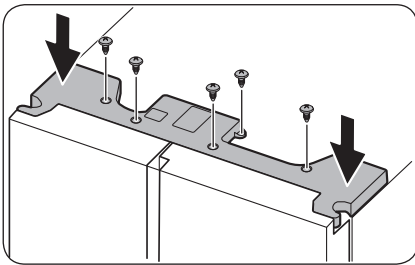
5. Connect the wire connectors.

⚠ CAUTION

Make sure the wire connectors are connected properly. Otherwise, the display (main panel) will not operate.



A. Centre of transparent coupler



6. Repeat steps 1-5 for the other door.
7. Connect the water tube. (Fridge door)
 - This step only applies to the models that require a water supply (for features such as AutoFill Pitcher, water dispenser, and ice maker).

⚠ CAUTION

To prevent water leaks, each water hose must be inserted fully into the center of the transparent coupler (A).

8. Attach the hinge cover with the front side first, and then press down on its back to get it into position. Then, tighten the screws (x5).

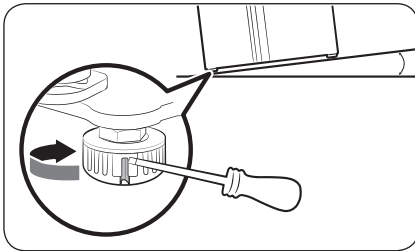
Installation

STEP 4 Adjust the leveling feet

⚠ CAUTION

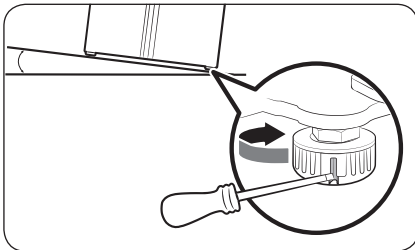
- The refrigerator must be leveled on a flat, solid floor. Failing to do so can cause damage to the refrigerator or physical injury.
- Leveling must be performed with an empty refrigerator. Make sure no food items remain inside the refrigerator.
- For safety reasons, adjust the front side a little higher than the rear side.

The refrigerator can be leveled using the front legs that have a special screw (leveler) for leveling purposes. Use a flat-head screwdriver for leveling.



To adjust the height of the freezer side:

Insert a flat-head screwdriver into the leveler of the freezer-side front leg. Turn the leveler clockwise to raise, or turn it counter clockwise to lower.

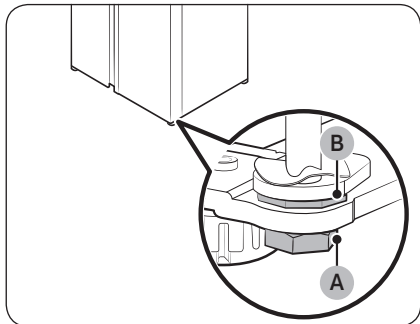


To adjust the height of the fridge side:

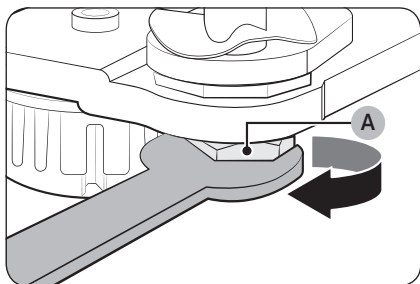
Insert a flat-head screwdriver into the leveler of the fridge-side front leg. Turn the leveler clockwise to raise, or turn it counter clockwise to lower.

STEP 5 Adjust the door height

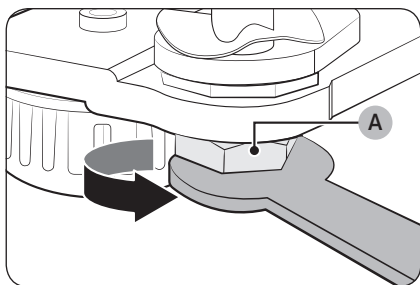
The height of the fridge door can be adjusted using the clamp nut and the height nut on the front bottom of the door.



1. Open the door to adjust, and locate the two nuts (A) and (B) on the front bottom of the door.



2. With a 19 mm spanner, turn the clamp nut (A) clockwise to loosen. Then, open the door, and do the following inside the door.
 - To raise the door, turn the height nut (B) counter clockwise.
 - To lower the door, turn the height nut (B) clockwise.



3. When complete, tighten the clamp nut (A) by turning it counter clockwise.

Installation

STEP 6 Connect to a water source

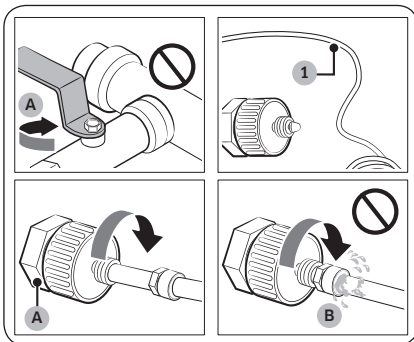
⚠ CAUTION

- The new hose-sets supplied with the appliance are to be used and that old hose-sets should not be reused.
- The water line must be connected by a qualified technician.
- The warranty for your refrigerator does not cover the water line installation. The water line installation will be performed at your own costs unless the installation fee is included in the retailer's price.
- Samsung takes no responsibility for the water line installation. If water leaks occur, contact the installer of the water line.

To connect the cold water pipe to the water filtering hose

⚠ CAUTION

- Make sure the water filtering hose is connected to a cold, potable water source pipe. Connecting to the hot water pipe may cause the purifier to malfunction.



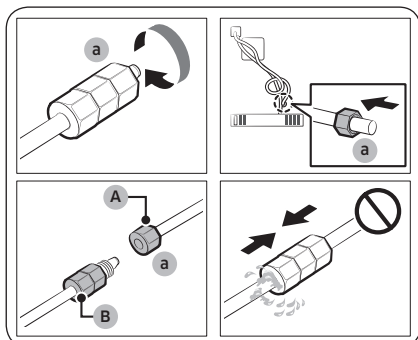
A. Close Main Water pipe

B. No gap

1. Shut off the water supply by closing the main water valve.
2. Locate the cold, potable water pipe (1).
3. Follow the Water Line Installation to connect to the water pipe.
4. When connection is complete, open the main water valve and dispense about 3 liters of water. This is to remove impurities inside the pipe.

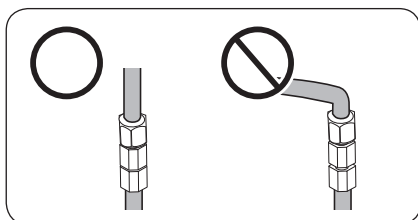


To connect the water filtering hose to the water line



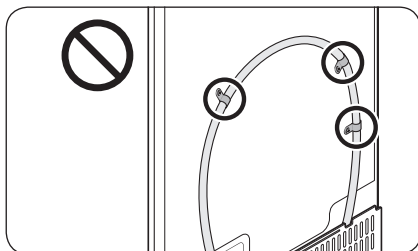
- A. Water Line from unit
- B. Water Line from Kit

1. Loosen and remove the **compression nut (a)** from the water line of the refrigerator, and insert it to the water filtering hose.
2. Tighten up the **compression nut (a)** to connect the water filtering hose and the water line.
3. Open the main water valve and check for any leaks.
4. If there are no leaks, dispense about a 3 liters of water before actually using the refrigerator to remove impurities inside the water filtering system.



NOTE

If you have to relocate the refrigerator after connecting the **water line**, make sure the joined section of the water line is straight.



CAUTION

Do not mount the water filter on any part of the refrigerator. This may damage the refrigerator.

To repair the water line

CAUTION

The waterline must be repaired by a qualified professional. If you encounter a water leak, contact a local Samsung service centre or the installer of the waterline.



Installation

STEP 7 Initial settings

By completing the following steps, the refrigerator should be fully functioning.

1. Plug the power cord into the wall socket to turn the refrigerator on.
2. Open the door, and check if the interior light lights up.
3. Set the temperature of the freezer and the fridge.
 - The recommended temperature for the freezer is 0 °F (-18 °C) and 37 °F (3 °C) for the fridge.
4. When the temperature of the freezer and the fridge reaches the set temperature, you may change them to the desired temperature and use the refrigerator.

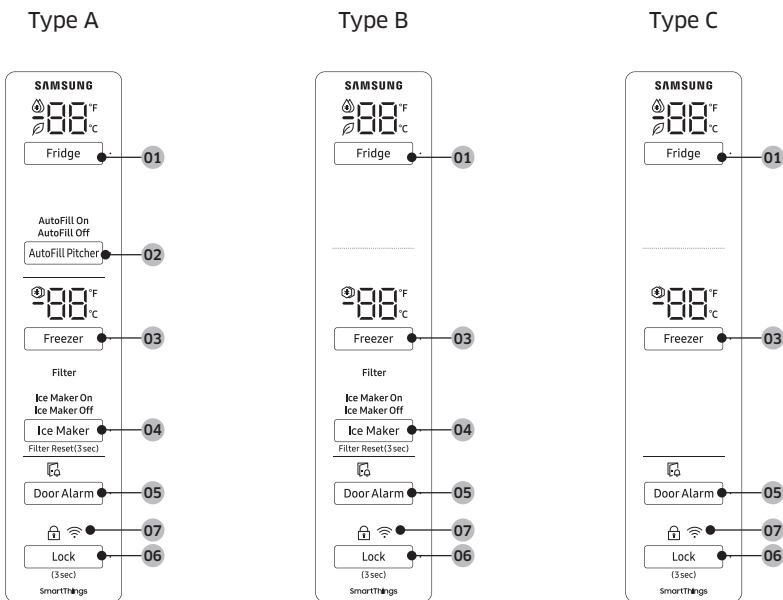
STEP 8 Final check

When the installation is complete, confirm that:

- The refrigerator is plugged into an electrical outlet and grounded properly.
- The refrigerator is installed on a flat, level surface with a reasonable clearance from the wall or the cabinet.
- The refrigerator is level and is sitting firmly on the floor.
- The door opens and closes freely, and the interior light turns on automatically when you open the door.

Operations

Main panel



01 Fridge / °F ↔ °C

03 Freezer / Auto door open sound *

05 Door Alarm

07 Network connection

* applicable models only

NOTE

- If the door is left open for 5 minutes, the interior light will blink for 5 minutes and turn off. It is to alert deaf and hard of hearing users that a door is open. Note that this function is normal.
- The temperature in the refrigerator may rise if you open the door frequently or put a large amount of food into the refrigerator. If this happens, the temperature display blinks until the refrigerator returns to the specified temperature settings.
- The display of the main panel turns on only if the door is opened and turns off if the door is closed.

02 AutoFill Pitcher *



04 Ice Maker * / Filter Reset *

06 Lock / Wi-Fi On or Off

Operations

- The  icon appears if you turn on the AI Energy Mode in the SmartThings app. (applicable models only)

01 Fridge / °F ↔ °C (3 sec)

Fridge	<p>You can use the Fridge button to set the fridge temperature.</p> <ul style="list-style-type: none">• Press Fridge repeatedly to select a desired temperature between 1 °C (34 °F) and 7 °C (44 °F).<ul style="list-style-type: none">- The temperature indicator displays the currently set or selected temperature. <p>Power Cool</p> <p>Power Cool speeds up the cooling process at maximum fan speed. The fridge keeps running at full speed for two and a half hours and then returns to the previous temperature.</p> <ul style="list-style-type: none">• To activate Power Cool, select temperature 1 °C (34 °F), and then press Fridge to select Power Cool. The corresponding indicator () lights up, and the refrigerator will speed up the cooling process for you.• To deactivate Power Cool, press Fridge again. Then, the temperature of the fridge will be set back to 7 °C (44 °F). <p> NOTE</p> <p>Using Power Cool increases energy consumption. Make sure you turn it off and return to the previous temperature if you don't intend to use it.</p>
°F ↔ °C	<p>You can also use the Fridge button to switch the temperature scale between Celsius and Fahrenheit. To switch the temperature scale, press and hold Fridge for 3 seconds to change the current temperature scale.</p>



02 AutoFill Pitcher (For Type A only)



Press **AutoFill Pitcher** to turn it on or off.

- You can set the AutoFill Pitcher mode from one of the following modes.
 - AutoFill On (AutoFill On)**: Set to fill your water pitcher automatically.
 - AutoFill Off (AutoFill Off)**: Set to turn off the function.
- The AutoFill Pitcher indicator on the main panel will blink if there is a leak. In case of a leak, open the rubber cap so that the leaked water drains. If the indicator does not stop blinking after draining, there might be a system failure. Contact your local Samsung service center.

NOTE

You can put tea or fruit into the infuser to make infused tea or water. If you want to keep the infused water in its initial concentration, turn the AutoFill Pitcher function off. (For more information, see the **Water pitcher (AutoFill Pitcher) (applicable models only)** section on page 52.)


03 Freezer / Auto door open sound (3 sec)

Freezer	<p>You can use the Freezer button to set the freezer temperature.</p> <ul style="list-style-type: none"> Press Freezer repeatedly to select a desired temperature between $-15\text{ }^{\circ}\text{C}$ ($5\text{ }^{\circ}\text{F}$) and $-23\text{ }^{\circ}\text{C}$ ($-8\text{ }^{\circ}\text{F}$). <ul style="list-style-type: none"> The temperature indicator displays the currently set or selected temperature. <p>Power Freeze</p> <p>Power Freeze speeds up the freezing process at maximum fan speed. The freezer keeps running at full speed for 50 hours and then returns to the previous temperature. To freeze large amounts of food, activate Power Freeze for at least 20 hours before putting food in the freezer.</p> <ul style="list-style-type: none"> To activate Power Freeze, select temperature $-23\text{ }^{\circ}\text{C}$ ($-8\text{ }^{\circ}\text{F}$), and then press Freezer to select Power Freeze. The corresponding indicator () lights up, and the refrigerator will speed up the freezing process for you. When the Power Freeze process is complete, the corresponding indicator turns off and the freezer returns to the previous temperature setting. To deactivate Power Freeze, press Freezer again. Then the temperature of the freezer will be set back to $-15\text{ }^{\circ}\text{C}$ ($5\text{ }^{\circ}\text{F}$). <p> NOTE</p> <p>Using Power Freeze increases energy consumption. Make sure you turn it off and return to the previous temperature if you do not intend to use it.</p>
Auto door open sound (applicable models only)	Press and hold Freezer for 3 seconds to turn on or off the sound that occurs when you use the Auto door open function.



Operations

04 Ice Maker / Filter Reset (3 sec) (applicable models only)


Ice Maker	<p>Press Ice Maker to turn the ice maker on or off.</p> <p>The ice maker has 2 indicators (Ice Maker On / Ice Maker Off) to indicate its operating status.</p> <ul style="list-style-type: none">• When the ice maker operates, the corresponding indicator (Ice Maker On) turns on.• When the ice maker is turned off, the corresponding indicator (Ice Maker Off) turns on.
Filter Reset	<p>After about 6 months (and typically, about 1200 L of water), the Filter Reset indicator blinks red for several seconds when you open the door, reminding you that the filter needs to be replaced. When this happens, replace the filter, and then press and hold Ice Maker for 3 seconds. The filter lifecycle will be reset and the Filter Reset indicator turns off.</p> <p> NOTE</p> <ul style="list-style-type: none">• Some regions have relatively large amounts of lime in their water. This can reduce the lifecycle of the filter. In these areas, you will have to replace the water filter more often than specified above.• If water is not dispensing properly, the water filter is most likely clogged. Replace the water filter.

05 Door Alarm

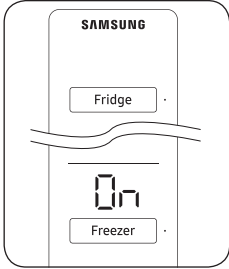
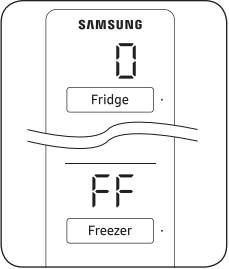
If the door is left open for more than 2 minutes, an alarm will sound and the alarm indicator will blink. You can toggle the alarm on and off by pressing **Door Alarm**. The alarm is enabled by factory default.

If the door is left open for 5 minutes, interior light (in the fridge, freezer) will blink for 5 minutes and turn off. It is to alert deaf and hard of hearing users that a door is open. Note that this function is normal.

06 Lock / Wi-Fi On or Off (10 sec)

Lock	<p>To prevent accidental setting changes, press and hold Lock for 3 seconds. The main panel will be disabled and the Lock indicator () will turn on.</p> <p>When Lock is on, the indicator blinks if any button on the main panel is pressed. If you press and hold the button again for more than 3 seconds, Lock will be deactivated. However, Lock will be reactivated if no button is pressed within 1 minute.</p>
------	--



<p>Wi-Fi On or Off</p>	<p>To turn the Wi-Fi on or off, press Lock button for 10 seconds. The display shows the status of Wi-Fi for 5 seconds (as shown in the figure). You may hear a buzzer while pressing the button. Do not let go of the Lock button before seeing the status shown in the display.</p>
	<div style="display: flex; justify-content: space-around;"> <div style="text-align: center;"> <p>Wi-Fi On</p>  </div> <div style="text-align: center;"> <p>Wi-Fi Off</p>  </div> </div> <p>NOTE</p> <ul style="list-style-type: none"> You must turn on the Wi-Fi to connect the refrigerator to the SmartThings app. For more information, see the SmartThings (applicable models only) section.

07 Network connection

This icon indicates that the refrigerator is connected to a network. If the Wi-Fi icon flashes, we recommend connecting your refrigerator with the SmartThings app. You can control and monitor your refrigerator on the SmartThings app. For more information, see the **SmartThings (applicable models only)** section.

Activating or deactivating the Sabbath mode

The Sabbath mode stays active for 85 hours once it is activated. After that, it will be deactivated automatically.

- To activate, press and hold **Door Alarm** and **Lock** simultaneously for 5 seconds to enter Sabbath mode. Then the refrigerator operates in Sabbath mode where the buttons, the display, and the room lamps are all under control.
- To deactivate, press and hold the buttons again for 5 seconds to exit Sabbath mode.

NOTE

Even after the refrigerator powers off and restarts, the Sabbath mode remains active. To exit, you must deactivate it first.



Operations

SmartThings (applicable models only)

Installation

Visit the Google Play Store, Galaxy Apps, or Apple App Store and search for “SmartThings”. Download and install the SmartThings app provided by Samsung Electronics to your smart device.

NOTE

- The supporting software version of the SmartThings app is subject to change according to the OS supporting policy the manufacturer provides. In addition, as for the SmartThings app or the functions that the app supports, the new application update policy on the existing OS version can be suspended due to usability or security reasons.
- The SmartThings app is subject to change without notice to improve usability or performance. As the mobile phone OS version is updated every year, the SmartThings is also updated continually according to the latest OS. If you have enquiries regarding the items mentioned above, please contact us at st.service@samsung.com
- Recommended encryption systems include WPA/TKIP and WPA2/AES. Any newer or non-standard Wi-Fi authentication protocols are not supported.
- Wireless networks may be affected by the surrounding wireless communication environment.
- If your Internet service provider has registered the MAC address of your PC or modem for identification, your Samsung Smart Refrigerator may fail to connect to the Internet. If this happens, contact your Internet service provider for technical assistance.
- The firewall settings of your network system may prevent your Samsung Smart Refrigerator from accessing the Internet. Contact your Internet service provider for technical assistance. If this symptom continues, contact a local Samsung service center or retailer.
- To configure the wireless access point (AP) settings, see the user manual of the AP (Router).
- Samsung Smart Refrigerators support IEEE 802.11 b/g/n (2.4 GHz) protocols. (IEEE 802.11 n is recommended.)
- Unauthorized Wi-Fi wireless routers may fail to connect to applicable Samsung Smart Refrigerators.

Samsung account

You are required to register your Samsung account to use the app. If you don't have a Samsung account, follow the app's on-screen instructions to create a free Samsung account.

Getting started

Turn on the device you want to connect, open the SmartThings app on your phone, and then follow the instructions below.

If a pop-up appears saying that a new device has been found, tap **ADD NOW**.

If a pop-up doesn't appear, tap the **+** button, and then select the device you want to connect from the list of available devices.

If your device isn't in the list of available devices, tap **Supported Devices**, select the device type (Refrigerator), and then select the specific device model.

Follow the instructions in the app to set up your device. Once setup is complete, your refrigerator will appear as a "card" on your **Devices** screen.

SmartThings function

Integrated control

You can monitor and control your refrigerator at home and on the go.


- Tap the refrigerator icon on the SmartThings Dashboard or tap the Devices icon at the bottom of the Dashboard, and then tap the refrigerator "card" to open the Refrigerator page.
- Check the operation status or notifications related to your refrigerator, and then change options or settings if necessary.

NOTE

Some options or settings of the refrigerator may not be available for remote control.

Operations

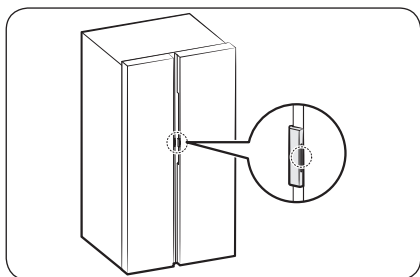
Refrigerator settings

Category	Item	Description
Monitor & Control	Fridge temperature	You can set and monitor the desired temperature of the fridge.
	Power Cool	You can turn Power Cool on or off, and check the current settings.
	Freezer temperature	You can set and monitor the desired temperature of the freezer.
	Power Freeze	You can turn Power Freeze on or off, and check the current settings.
	Auto door open time *	You can set the time that the door remains slightly open by the Auto door open function.
	Auto door open sound *	You can turn on or off the sound that occurs when you use the Auto door open function.
	Ice maker *	You can turn the ice maker on or off.
	AutoFill Pitcher *	You can turn the AutoFill Pitcher function on or off, and check the current settings of the function.
	Sabbath Mode	You can activate and deactivate the Sabbath mode.
Alarms	Abnormally high temperature	This alarm triggers when the temperature of the refrigerator is abnormally high.
	Door opening	This alarm triggers if the door is open for a specific time.
	AutoFill Pitcher overflowing *	If the AutoFill Pitcher function senses an overflow, it triggers this alarm to let you know the status of the overflow.
	Water filter replacement *	This alarm reminds you that the water filter must be replaced.
AI Energy Mode *	<p>You can turn on or off the AI Energy Mode under the Energy menu in the SmartThings app.</p> <p>You can check the status of the AI Energy Mode on the SmartThings app. On some models, the  icon appears on the main panel to indicate that AI Energy Mode is on. (applicable models only)</p> <p>Turning on the AI Energy Mode decreases energy consumption, but it may also reduce the cooling performance.</p>	

* applicable models only

Special features

Auto door open function (applicable models only)



1. Touch where the auto door open sensor is. The door slightly opens.

NOTE

For your safety, the Auto door open function works only one door at a time.

2. When the door slightly opens, hold the handle and fully open the door.
 - The door does not close automatically. Close the door manually after use.

CAUTION

- The Auto door open function may malfunction if you open and close the door repeatedly.
- Do not push or force stop the door while it is opening automatically. It may cause the product to malfunction.
- If the door resists opening after repeated door opening, wait for about a minute and then try again. (It may be hard to open the door immediately after closing it due to air pressure change inside the refrigerator which occurs when you open and close the door.)
- Accidental touches to the sensor can cause the door to open, verify that it is closed.

NOTE

If the front side of the refrigerator is lower than the rear side, the door may not close properly after you open the door with the Automatic door opening function. Use the levelling feet to set the front side a little higher than the rear side.

Inner Beverage Center (applicable models only)

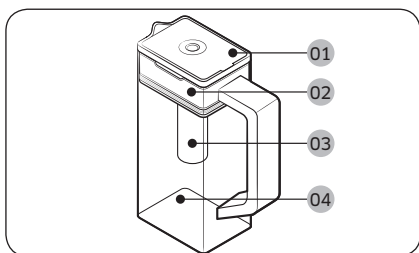


Open the fridge door. You will see the AutoFill Pitcher and the water dispenser available for use. Hold the fridge door still when you use the water dispenser or the AutoFill Pitcher.

Operations

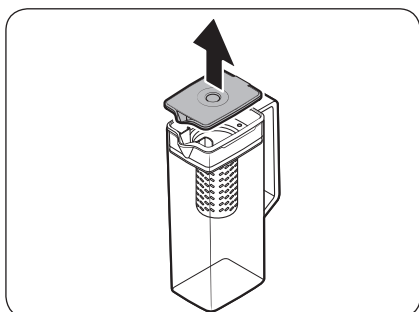
Water pitcher (AutoFill Pitcher) (applicable models only)

Cold, purified water is always ready in the AutoFill Pitcher. You can put tea or fruits in the infuser to enjoy the various infused water you like.



- 01 Lid
- 02 Infuser holder
- 03 Infuser
- 04 Body

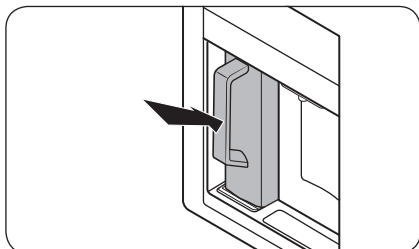
To fill the water pitcher



1. Grasp a handle groove of the lid, and then pull up to open the lid.
2. Put tea leaves or fruit to your taste into the infuser.

NOTE

If you want to keep the infused water in its initial concentration, turn the AutoFill Pitcher function off.



3. Enable the AutoFill Pitcher function on the main panel. Open the fridge door, and then mount the water pitcher onto the holder. Insert the water pitcher as shown in the figure.

CAUTION

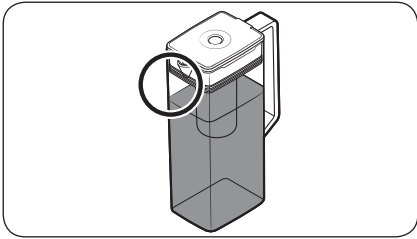
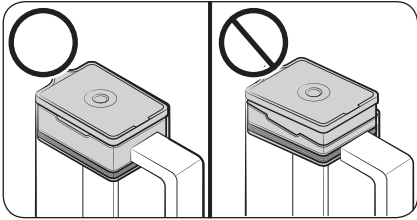
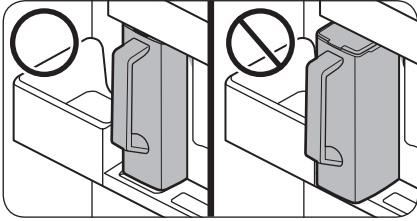
Make sure the water pitcher fits in the water pitcher holder.

4. Close the door. The water pitcher will start to fill with chilled water a short time later.

CAUTION

- We recommend consuming fruit-infused water within 24 hours. After that, the infused water can spoil over time.

- You must clean the water pitcher after you have consumed the infused water. Also, clean the water pitcher if you haven't used it for a long time.



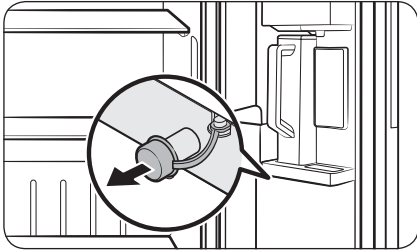
- To prevent the water pitcher from tipping over or leaking, make sure the water pitcher fits in the water pitcher holder.

- To prevent the water pitcher from spilling over or leaking, make sure the infuser holder is properly inserted.

NOTE

- If the front side (specifically marked area) of the water pitcher has too much moisture, the water pitcher may not fully fill. Remove the moisture, and then try again.
- AutoFill Pitcher function will stop supplying water to the water pitcher if the water pitcher does not fill after a certain amount of time. If this happens, check if the water line is properly connected. Remove and reinsert the water pitcher, and then try again.

Operations

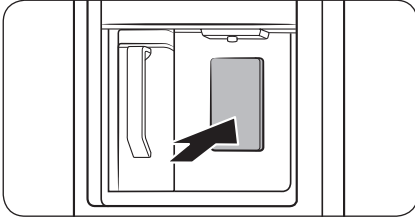


- Wipe around the water pitcher holder if the water pitcher overflows or leaks.
- Water drops off if the rubber cap is opened.
- The AutoFill Pitcher indicator on the main panel will blink if there is a leak. In case of a leak, open the rubber cap so that the leaked water drains. If the indicator does not stop blinking after draining, there might be a system failure. Contact your local Samsung service center.

NOTE

- You must clean the water pitcher after you have consumed the infused water. You must also clean the water pitcher if you have not used it for a long time or left the full pitcher for more than three days.
- If the infuser is not properly cleaned, the scent of the tea or fruits you previously used in the infuser may remain. If you are not going to use the infuser, separate it from the pitcher and store it safely.
- If you have not used the water filter for a long time, pour away the first two pitchers of water. Then, clean the water pitcher thoroughly and use it.

Water dispenser (applicable models only)



To dispense chilled water, open the fridge door and press the dispenser lever.

NOTE

- The dispenser will stop dispensing if you keep pushing the dispenser lever for about 1 minute. To dispense more water, release and push the lever again.
- Make sure the glass is in line with the dispenser to prevent the dispensed water from spilling out.
- If you do not use the water dispenser for 2-3 days, the dispensed water may have an abnormal smell or taste. This is not a system failure. Discard the first 1-2 glasses of water.

Water clouding

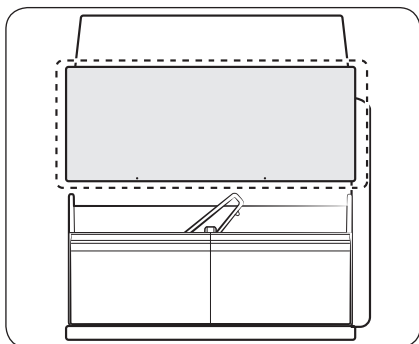
Water supplied to the refrigerator flows through a core alkaline filter. During this filtering process, the water pressure of the water increases and the water becomes saturated with oxygen and nitrogen. This causes the water to look misty or cloudy temporarily when dispensed. This is normal and the water will look clear after a few seconds.

Operations

Ice maker (applicable models only)

The refrigerator has a built-in ice maker that automatically dispenses ice.

- The overall design and/or accessories may differ with the model.
- The ice scoop is provided in the refrigerator.

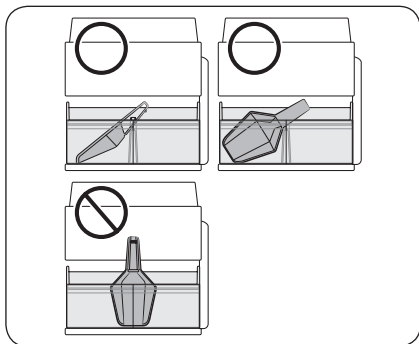


- This product has two types of ice makers.
- You can simply slide out the ice bucket tray to use ice, and then slide it back in after use.

⚠ WARNING

Choking hazard: Ice may cause choking in small children.

Where to keep the scoop



Keep the scoop in the front part of the ice bucket. Place the scoop as shown in the figure, making sure it does not interfere with the ice dispenser when the ice bucket tray is inserted.

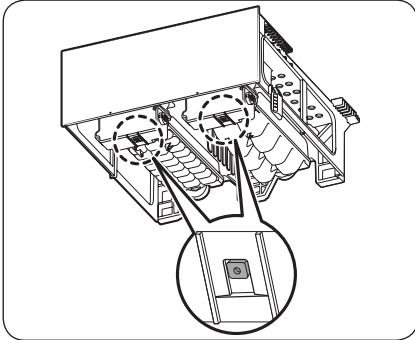
📄 NOTE

If the ice bucket tray is not fully inserted, ice may drop behind (and outside) the ice bucket or the ice maker may stop making ice.

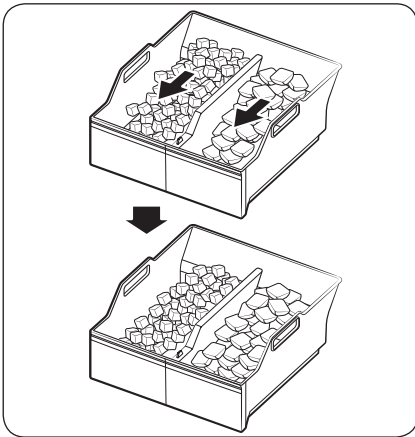
For first-time use

- Let the ice maker make ice for 1-2 days.
- Discard the first 1-2 buckets of ice to remove impurities in the water supply system.

Diagnosis



- The overall design and/or accessories may differ with the model.
- If ice does not dispense, first check the status of ice maker using the **Test** button on the bottom of the ice maker.
- Press the **Test** button on the bottom of the ice maker. You will hear a chime (ding-dong) when you press the button. You will hear another chime if the ice maker is operating properly.



- Ice accumulating on one side of the tray is normal. Arrange the ice evenly in the tray to store more ice.

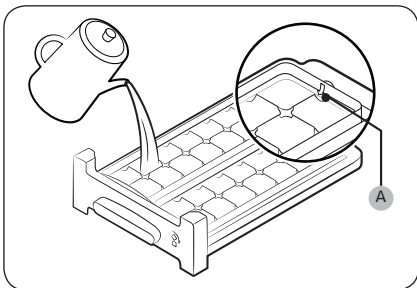
CAUTION

- Leaving the water line disconnected may cause the water valve to produce a buzzing sound over time. If this is the case, make sure to turn the ice making function off.
- If the ice making chime rings repeatedly, contact the waterline installer or a local Samsung service center.
- Do not put food in the ice bucket. The frozen food may damage the ice maker, especially when you open or close the door.
- When the refrigerator recovers power after a power failure, the ice bucket may contain a mix of melted and jammed ice cubes, which can prevent the ice maker from working properly. To prevent this, make sure to empty the ice bucket before using the refrigerator.
- Do not put fingers or any objects into the ice maker. This can cause physical injury or property damage.

Operations

- Due to sublimation, ice stored in the freezer for a long time gets smaller and then forms large ice chunks. Therefore, if unused for a long period of time, turn the ice maker off and empty the ice bucket.

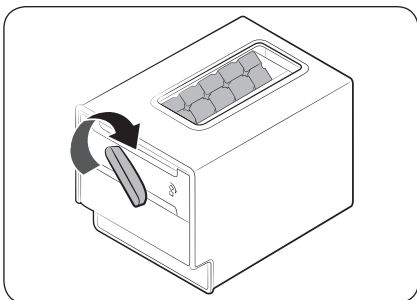
Twist ice maker (applicable models only)



1. Open the freezer door, and slide open the ice tray.
2. Fill the tray with water up to the **maximum level (A)** marked on the inner rear of the tray.
3. Slide the tray back into position.

NOTE

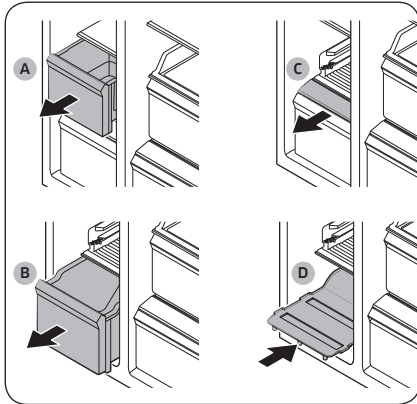
The ice making time depends on your temperature settings.



NOTE

- Make sure the ice cube storage bin is in place under the ice tray.
- To dispense the ice cubes, turn the handle of the bin to the right to empty half of the ice cubes into the bin. Then, turn it to the left to empty the other half.
- Take out the bin by slightly twisting and pulling to the front.

To secure more storage space (applicable models only)



To secure more space, remove the **upper drawer (A)**, **lower drawer (B)**, and **lower drawer cover (C)**. Then, insert the provided **bottom shelf (D)**.

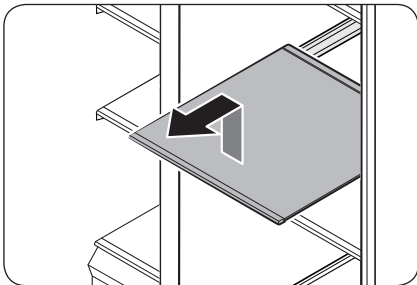
NOTE

- Removing the drawers does not affect the temperature or usage of the freezer.
- The declared freezer volume is measured with the bottom shelf, after removing the upper drawer, lower drawer, and lower drawer cover.

Maintenance

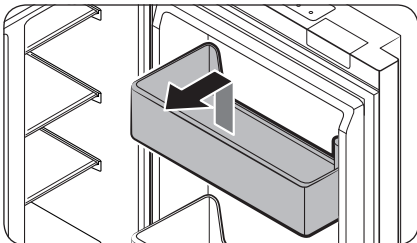
Handle and care

Shelves (fridge/freezer)



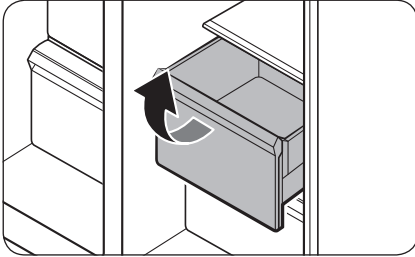
Pull the shelf out as far as it goes. Then lift it up and remove it.

Door bins



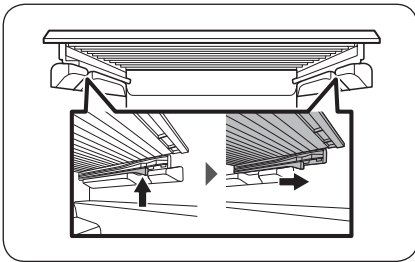
To remove a door bins, hold the front sides of the bin and gently lift up to remove.

Drawers



To remove, pull the drawers out as far as they go, and then lift up slightly and pull.

Drawer cover



While pushing the left and right hooks underneath the drawer cover, pull the drawer cover to remove.

Ice maker bucket (applicable models only)

If you do not use ice for an extended period, ice may form clumps inside the bucket. If this happens, remove and empty the ice bucket.

⚠ CAUTION

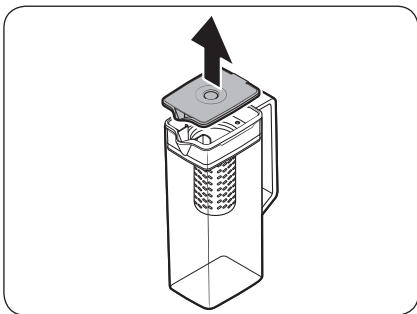
- To prevent injury, make sure to clean up any ice or water that has fallen on the floor.
- To prevent accidents or injury, do not let children play with the water dispenser or the ice maker.
- Use only the provided ice bucket. Third-party ice buckets may cause a system failure.

📖 NOTE

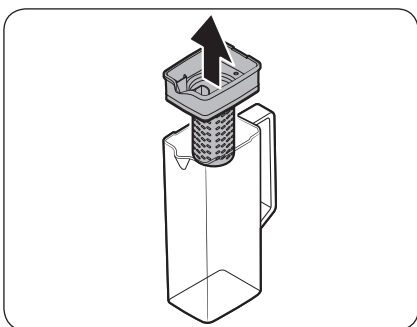
Noise from the ice maker as it produces ice during the ice making process is normal.

Maintenance

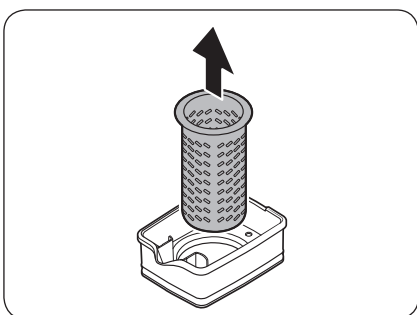
AutoFill Pitcher (applicable models only)



1. Grasp a handle groove of the lid, and then pull up to remove.



2. Grasp both sides of the infuser holder, and then lift to remove.



3. While slightly twisting the infuser, pull it out of the sealed mouth.
4. Clean the infuser with neutral agents and running water. Rinse and dry well.
5. Reassemble the AutoFill Pitcher in the reverse order of disassembly.

CAUTION

The water pitcher and lid are not microwave-safe and can melt or deform if exposed to heat (including hot water). Please hand wash in cool or warm water as needed.

Cleaning

Interior and exterior

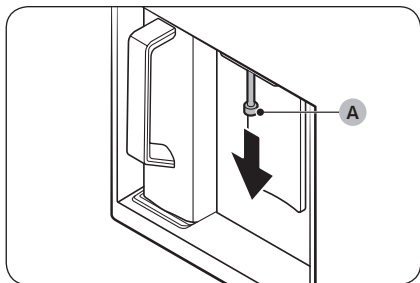
⚠ WARNING

- Do not use benzene, thinner, or home/car detergent such as Clorox™ for cleaning purposes. They may damage the surface of the refrigerator and cause a fire.
- Do not spray water onto the refrigerator. This may cause electric shock.

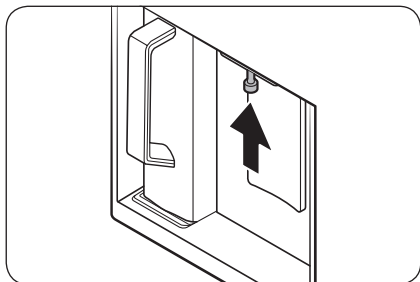
Regularly use a dry cloth to remove all foreign substances such as dust or water from the power plug terminals and contact points.

1. Unplug the power cord.
2. Use a moistened, soft, lint-free cloth or paper towel to clean the refrigerator's interior and exterior.
3. When done, use a dry cloth or paper towel to dry well.
4. Plug in the power cord.

Dispenser nozzle (applicable models only)



1. Hold the end of the dispenser nozzle (A).
2. While turning the dispenser nozzle (A) left, pull it down to remove it from the dispenser.



3. Clean the dispenser nozzle thoroughly, and then assemble it back.

⚠ CAUTION

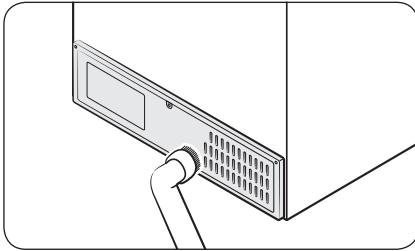
- Fully insert the dispenser nozzle, so it is back to its original position.
- Do not use a sponge with rough textures for cleaning the dispenser nozzle.

Maintenance

Rubber seals

If the rubber seals of a door become dirty, the door may not close properly and reducing refrigerator performance and efficiency. Use a mild detergent and damp cloth to clean the rubber seals. Then, dry well with a cloth.

Rear panel



To keep cords and exposed parts of the rear panel free of dirt, vacuum the panel once or twice a year.

CAUTION

Do not remove the rear panel cover. Electric shock may occur.

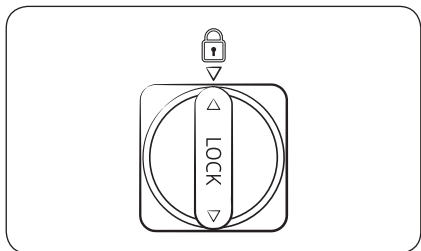
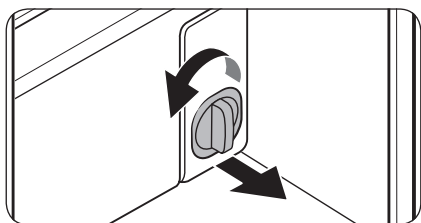
Replacement

Water filter (applicable models only)

⚠ WARNING

- Do not use third-party water filters. Use only Samsung-provided or -approved filters.
- Unapproved filters may leak and damage the refrigerator, causing electric shock. Samsung is not responsible for any damage that may occur from use of third-party water filters.

The Filter Reset indicator (**Filter**) turns red to let you know it is time to replace the water filter. Before replacing the filter, make sure the water supply line is shut off.



1. Shut off the water supply line.
2. Turn the knob of the filter cartridge 90 degrees counterclockwise (1/4 turn). The filter cartridge unlocks.
3. Pull out to remove the cartridge.
 - If the water filter is severely contaminated, the cartridge may not be easy to remove. If that is the case, use force to remove the cartridge.
 - To prevent water leaks from the filter opening, pull the cartridge straight out while removing it.
4. Insert a new filter cartridge. Use only Samsung-provided or approved filters.
5. Turn the cartridge knob clockwise to lock into place.
6. Press and hold **Ice Maker** on the main panel for 3 seconds to reset the life cycle detector. The Filter Reset indicator (**Filter**) turns off.
7. When you are done replacing the filter, open the water valve and run water through the dispenser for about 7 minutes. This is to remove impurities and air from the water line.

📖 NOTE

- A newly installed filter may cause the water dispenser to spurt water briefly. This is because air has entered the waterline.
- The replacement process may cause the water dispenser to drip for a short period of time. If it drips, simply wipe up any water on the floor with a dry towel.

Maintenance

Reverse osmosis water filtration system

The water pressure of the water supply system to a reverse osmosis water filtration system must be between 30 - 125 psi (206 - 862 kPa).

The water pressure of the reverse osmosis water filtration system to the refrigerator's cold water line must be at least 30 psi (206 kPa). If the water pressure is below these specifications:

- Check if the sediment filter in the reverse osmosis system is blocked. Replace the filter if necessary.
- Refill the water tank in the reverse osmosis system with water.
- If your refrigerator has a water filter, it may further reduce the water pressure when used in conjunction with a reverse osmosis system. Remove the water filter.

For more information or servicing, contact a licensed plumbing professional.

Ordering a new filter

To purchase a new water filter, contact a local Samsung service center.

LED Lamps

To replace the lamps of the refrigerator, contact a local Samsung service center.

WARNING

- The lamps are not user-serviceable. Do not attempt to replace a lamp yourself. This can cause electric shock.

Door panel (applicable models only)

NOTE

You may not be able to purchase the Door panel separately in some countries.

You can select the door panel you prefer for your BESPOKE refrigerator. Purchase the door panel at a Samsung retail store and an authorized installer will install the panel for you.

CAUTION

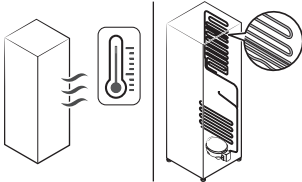
- Disassembling or assembling the door panel on your own may result in product damage or personal injury. If you find any problems with the door panel, contact a Samsung service center
- A service fee may be charged for panel replacement even within the warranty period.

Troubleshooting

Before calling for service, review the checkpoints below. Any service calls regarding normal situations (No Defect Cases) will be charged to users.

General

Temperature

Symptom	Possible causes	Solution
Fridge/freezer does not operate. Fridge/freezer temperature is warm.	<ul style="list-style-type: none"> Power cord is not plugged in properly. 	<ul style="list-style-type: none"> Properly plug in the power cord.
	<ul style="list-style-type: none"> Temperature control is not set correctly. 	<ul style="list-style-type: none"> Set the temperature lower.
	<ul style="list-style-type: none"> Refrigerator is located near a heat source or direct sunlight. 	<ul style="list-style-type: none"> Keep the refrigerator away from direct sunlight or a heat source.
	<ul style="list-style-type: none"> Not enough clearance between refrigerator and nearby walls or cabinets. 	<ul style="list-style-type: none"> We recommend that the gap between the refrigerator and nearby walls (or cabinets) is more than 50 mm.
	<ul style="list-style-type: none"> The refrigerator is overloaded. Food is blocking the refrigerator vents. 	<ul style="list-style-type: none"> Do not overload the refrigerator. Do not allow food to block vents.
Fridge/freezer is over-cooling.	<ul style="list-style-type: none"> Temperature control is not set correctly. 	<ul style="list-style-type: none"> Set the temperature higher.
Interior wall is hot.	<ul style="list-style-type: none"> Refrigerator has heat-proof piping in the interior wall. 	<ul style="list-style-type: none"> To prevent condensation from forming, the refrigerator has heat-proof piping in the front corners. If the ambient temperature rises, this equipment may not work effectively. This is not a system failure. 

Troubleshooting

Odour

Symptom	Possible causes	Solution
Refrigerator has odours.	• Spoiled food.	• Clean the refrigerator and remove any spoiled food.
	• Food with strong odours.	• Make sure strong smelling food is wrapped airtight.

Frost

Symptom	Possible causes	Solution
Frost around the vents.	• Food is blocking the vents.	• Make sure no food blocks the refrigerator vents.
Frost on interior walls.	• Door is not closed properly.	• Make sure food does not block the door. Clean the door gasket.

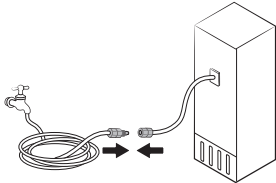
Condensation

Symptom	Possible causes	Solution
Condensation forms on the interior walls.	• If door is left open, moisture enters the refrigerator.	• Remove the moisture and do not leave a door open for extended periods of time.
	• Food with high moisture content.	• Make sure food is wrapped airtight.

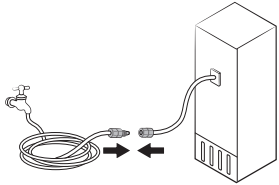
Low ice Production

Symptom	Possible causes	Solution
Low Ice production.	• Freezer section is overloaded with frozen food. They are blocking the air duct.	• Ensure the food don't block vents can obstruct free air circulation in the freezer.

Water/ice (dispenser models only)

Symptom	Possible causes	Solution
Water flow is weaker than normal.	<ul style="list-style-type: none"> Water pressure is too low. 	<ul style="list-style-type: none"> Make sure the water pressure is between 30 - 125 psi (206 - 862 kPa).
Ice maker makes a buzzing sound.	<ul style="list-style-type: none"> The ice maker function is activated, but the water supply to the refrigerator has not been connected. 	<ul style="list-style-type: none"> Activate the Ice Maker off.
Ice maker does not make ice.	<ul style="list-style-type: none"> Ice maker has just been installed. 	<ul style="list-style-type: none"> You must wait for 12 hours for the refrigerator to make ice.
	<ul style="list-style-type: none"> Freezer temperature is too high. 	<ul style="list-style-type: none"> Set the freezer temperature below -18 °C (0 °F) or -20 °C (-4 °F) in warm ambient air.
	<ul style="list-style-type: none"> Ice maker is off. 	<ul style="list-style-type: none"> Turn on the ice maker.
Ice does not dispense.	<ul style="list-style-type: none"> Ice may jam if the ice dispenser is not used for a long time (approx. 3 weeks). 	<ul style="list-style-type: none"> If you won't be using the refrigerator for a long time, empty the ice bucket and turn off the ice maker.
	<ul style="list-style-type: none"> Ice bucket is not properly inserted. 	<ul style="list-style-type: none"> Make sure the ice bucket is properly inserted.
	<ul style="list-style-type: none"> Water line is not connected properly or water supply is not on. 	<ul style="list-style-type: none"> Check if the water line is installed correctly. Check if the water line stop cock is closed. 

Troubleshooting

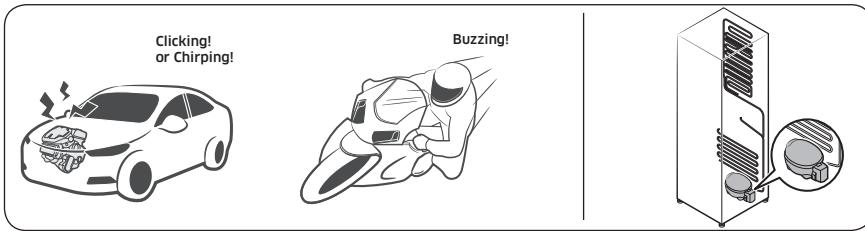
Symptom	Possible causes	Solution
Water does not dispense.	<ul style="list-style-type: none"> Water line is not connected properly or water supply is not on. 	<ul style="list-style-type: none"> Check if the water line is installed correctly. Check if the water line stop cock is closed. 
	<ul style="list-style-type: none"> A third-party water filter was installed. 	<ul style="list-style-type: none"> Use only Samsung-provided or approved filters. Unapproved filters may leak and damage the refrigerator.
	<ul style="list-style-type: none"> Filter Reset indicator turns on or blinks. 	<ul style="list-style-type: none"> Replace the water filter. After replacing, reset the Filter Reset indicator.

Do you hear abnormal sounds from the refrigerator?

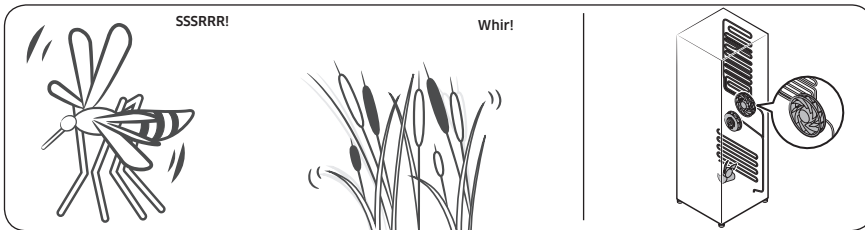
Before calling for service, review the checkpoints below. Any service calls related to normal sounds will be charged to the user.

These sounds are normal.

- When starting or ending an operation, the refrigerator may make sounds similar to a car engine igniting. As the operation stabilizes, the sounds will decrease.



- While the fan is operating, these sounds may occur. When the refrigerator reaches the set temperature, no fan sound will occur.

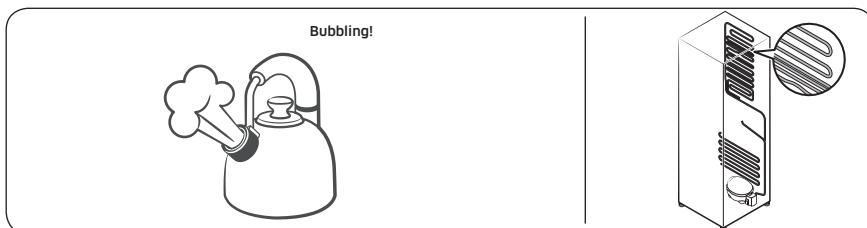


- During a defrost cycle, water may drip on the defrost heater, causing sizzling sounds.

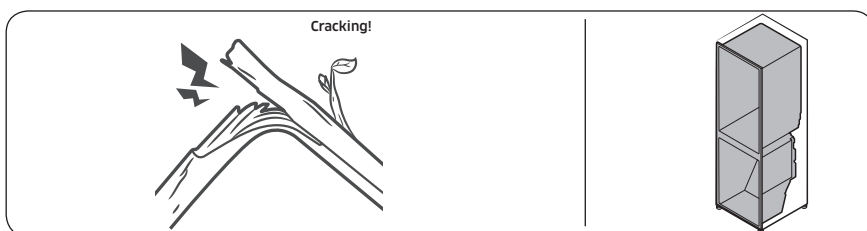


Troubleshooting

- As the refrigerator cools or freezes, refrigerant gas moves through sealed pipes, causing bubbling sounds.




- As the refrigerator temperature increases or decreases, plastic parts contract and expand, creating knocking noises. These noises occur during the defrosting cycle or when electronic parts are working.



- For ice maker models: When the water valve opens to fill the ice maker, buzzing sounds may occur.
- Because of pressure equalizing when opening and closing the refrigerator door, whooshing sounds may occur.

SmartThings (applicable models only)

Symptom	Action
Could not find "SmartThings" in the app market.	<ul style="list-style-type: none"> The supporting software version of the SmartThings app is subject to change according to the OS supporting policy the manufacturer provides. In addition, as for the SmartThings app or the functions that the app supports, the new application update policy on the existing OS version can be suspended due to usability or security reasons.
The SmartThings app fails to operate.	<ul style="list-style-type: none"> The SmartThings app is available for applicable models only. The old Samsung Smart Refrigerator app cannot connect with Samsung Smart Home models.
The SmartThings app is installed but is not connected to my refrigerator.	<ul style="list-style-type: none"> You must log into your Samsung account to use the app. Make sure that your router is operating normally. If you have not connected your refrigerator to the SmartThings App after the app was installed, you must make the connection using the device registration function of the app.
Could not log into the app.	<ul style="list-style-type: none"> You must log into your Samsung account to use the app. If you don't have a Samsung account, follow the app's onscreen instructions to create one.
An error message appears when I try to register my refrigerator.	<ul style="list-style-type: none"> Easy Connection may fail due to the distance from your access point (AP) or electrical interference from the surrounding environment. Wait a moment and try again.
The SmartThings app is successfully connected to my refrigerator but does not run.	<ul style="list-style-type: none"> Exit and restart the SmartThings app or disconnect and reconnect the router. Unplug the power cord of the refrigerator, and then plug it in again after 1 minute.
The Wi-Fi icon is blinking. ()	<ul style="list-style-type: none"> Connect your refrigerator with the SmartThings app before use. When the connection is made successfully, the indicator stops blinking. <ul style="list-style-type: none"> If you fail to make connection or don't want to use the app, press and hold the Lock button for 10 seconds. The indicator stops blinking with "O FF" shown on the temperature display.

Open Source Announcement

The software included in this product contains open source software.

The following URL http://opensource.samsung.com/opensource/SMART_TP1_0/seq/0 leads to open source license information as related to this product.



Memo

Contact SAMSUNG WORLD WIDE

If you have any questions or comments relating to Samsung products, please contact the SAMSUNG customer care center.

Country	Contact Center	Web Site
COSTA RICA	00-800-1-SAMSUNG (726-7864)	www.samsung.com/latin/support (Spanish) www.samsung.com/latin_en/support (English)
DOMINICAN REPUBLIC	1-800-751-2676	www.samsung.com/latin/support (Spanish) www.samsung.com/latin_en/support (English)
ECUADOR	1-800-SAMSUN (72-6786)	www.samsung.com/latin/support (Spanish) www.samsung.com/latin_en/support (English)
EL SALVADOR	8000-SAMSUNG (726-7864)	www.samsung.com/latin/support (Spanish) www.samsung.com/latin_en/support (English)
GUATEMALA	1-800-299-0033	www.samsung.com/latin/support (Spanish) www.samsung.com/latin_en/support (English)
HONDURAS	800-2791-9111	www.samsung.com/latin/support (Spanish) www.samsung.com/latin_en/support (English)
JAMAICA	1-800-SAMSUNG (726-7864)	www.samsung.com/latin_en/support (English)
NICARAGUA	001-800-5077267	www.samsung.com/latin/support (Spanish) www.samsung.com/latin_en/support (English)
PANAMA	800-0101	www.samsung.com/latin/support (Spanish) www.samsung.com/latin_en/support (English)
PUERTO RICO	1-800-682-3180	www.samsung.com/latin/support (Spanish) www.samsung.com/latin_en/support (English)
TRINIDAD & TOBAGO	1-800-SAMSUNG(726-7864)	www.samsung.com/latin/support (Spanish) www.samsung.com/latin_en/support (English)
VENEZUELA	0-800-100-5303	www.samsung.com/latin/support (Spanish) www.samsung.com/latin_en/support (English)



DA68-04565A-00

A black and white artistic photograph of water splashing, with several ice cubes suspended in mid-air. The water droplets and bubbles are captured in sharp detail, creating a sense of motion and freshness. The background is a clean, light color, making the dark water and ice stand out.

Refrigerador

Manual del usuario

Electrodoméstico independiente

SAMSUNG

Contenido

Información sobre seguridad	3
Qué debe saber sobre las instrucciones de seguridad	3
Símbolos y advertencias de seguridad importantes:	6
Precauciones importantes de seguridad	7
Señales de advertencia importantes para el transporte y el emplazamiento	12
Advertencias muy importantes para la instalación	13
Precauciones para la instalación	16
Advertencias muy importantes para el uso	17
Precauciones de uso	22
Precauciones para la limpieza	26
Advertencias muy importantes para la eliminación de residuos	28
Recomendaciones adicionales para el uso adecuado	29
Instrucciones acerca de WEEE	31
Instalación	32
Descripción breve del refrigerador	32
Instalación paso a paso	34
Funcionamiento	47
Panel principal	47
SmartThings (solo para los modelos correspondientes)	53
Funciones especiales	56
Mantenimiento	65
Manipulación y cuidado	65
Limpieza	68
Reemplazo	70
Solución de problemas	72
General	72
¿Se oyen ruidos anómalos procedentes del refrigerador?	76
SmartThings (solo para los modelos correspondientes)	78
Open Source Announcement	79

Información sobre seguridad

Antes de utilizar su nuevo refrigerador Samsung, lea detenidamente este manual a fin de aprender a usar las funciones que ofrece de manera segura y eficiente.

Qué debe saber sobre las instrucciones de seguridad

- Las instrucciones y advertencias de seguridad importantes en este manual no cubren todas las condiciones y situaciones posibles que podrían ocurrir. Es su responsabilidad utilizar el sentido común y tener precaución y cuidado en la instalación, mantenimiento y operación del electrodoméstico.
- Debido a que las siguientes instrucciones operativas abarcan diversos modelos, las características de su refrigerador pueden diferir ligeramente de las descritas en este manual y es posible que no se apliquen todas las señales de advertencia. Si tiene alguna consulta o inquietud, deberá contactar al centro de servicios más cercano u obtener ayuda e información en el sitio www.samsung.com.
- Se utiliza R-600a o R-134a como refrigerante. Mire la etiqueta del compresor en la parte posterior del electrodoméstico o la etiqueta de voltaje dentro del refrigerador para constatar qué refrigerante se utiliza. Si este producto contiene gas inflamable (refrigerante R-600a), comuníquese con las autoridades locales para desechar el producto en forma segura.
- Para evitar la creación de una mezcla de gas-aire inflamable en caso de una pérdida en el circuito del refrigerante, el tamaño del lugar en el que se coloca el refrigerador depende de la cantidad de refrigerante utilizado.

Información sobre seguridad

- Nunca debe poner en marcha un electrodoméstico que presente signos de haber sido dañado. Si tiene alguna inquietud, consulte a su distribuidor. El lugar debe medir 1 m³ por cada 8 g de refrigerante R-600a en el electrodoméstico.
La cantidad de refrigerante específica de su electrodoméstico consta en la placa de identificación que se encuentra en el interior.
- Si el refrigerante sale por los tubos, este podría incendiarse o dañar los ojos. Si hay pérdida de refrigerante del tubo, manténgalo alejado de las llamas, aparte cualquier material inflamable del producto y ventile la habitación inmediatamente.
 - De lo contrario, podría producirse un incendio o explosión.
- Para evitar la contaminación de los alimentos, siga las instrucciones a continuación:
 - Mantener la puerta abierta por largos períodos puede generar un incremento significativo de la temperatura en los compartimentos del electrodoméstico.
 - Limpie regularmente las superficies que puedan estar en contacto con los alimentos y con los sistemas de drenaje accesibles.
 - Limpie los tanques de agua si no se utilizaron por 48 horas; haga correr el sistema de agua conectado al suministro si no se extrajo agua por 5 días.
 - Almacene carnes y pescados crudos en contenedores apropiados en el refrigerador, de modo que no entren en contacto con otros alimentos ni goteen sobre ellos.

-
- Los compartimentos para alimentos congelados de dos estrellas son apropiados para almacenar alimentos pre congelados, almacenar o fabricar helados y fabricar cubos de hielo.
 - Los compartimentos de una, dos y tres estrellas no son apropiados para congelar alimentos frescos.
 - Si el refrigerador queda vacío por largos períodos, lo debe apagar, descongelar, limpiar y secar, y debe dejar la puerta abierta para evitar que se desarrolle moho en el interior.

Información sobre seguridad

Símbolos y advertencias de seguridad importantes:

Sírvase seguir todas las instrucciones de seguridad del presente manual. En el presente manual se utilizan los siguientes símbolos de seguridad.

ADVERTENCIA

Riesgos o prácticas inseguras que pueden causar **graves lesiones personales, daños a la propiedad y/o incluso la muerte.**

PRECAUCIÓN

Riesgos o prácticas inseguras que pueden causar **lesiones personales leves y/o daños materiales.**

NOTA

Información útil que ayuda a los usuarios a comprender u obtener beneficios del refrigerador.

Estas señales de advertencia se incluyen aquí para evitar que usted o terceros sufran lesiones.

Sígalas atentamente.

Después de leer esta sección, consérvela en un lugar seguro para referencia futura.

Precauciones importantes de seguridad



ADVERTENCIA: riesgo de incendio/materiales inflamables

ADVERTENCIA

- Cuando instale el electrodoméstico, asegúrese de que el cable de alimentación no esté atrapado ni dañado.
- No ubique varias regletas de tomacorrientes portátiles o unidades de alimentación móviles en la parte trasera del electrodoméstico.
- Llenar únicamente con agua potable.
- Conéctelo solamente a un suministro de agua potable.
- Mantenga las aberturas de ventilación del gabinete o estructura incorporada del electrodoméstico libres de obstrucciones.
- No utilice dispositivos mecánicos ni otros medios para acelerar el proceso de descongelamiento que no sean los recomendados por el fabricante.
- No dañe el circuito del refrigerante.
- No utilice aparatos eléctricos dentro de los compartimientos de almacenamiento de alimentos, a menos que sean del tipo recomendado por el fabricante.



Información sobre seguridad

- Este electrodoméstico no debe ser utilizado por personas (incluidos niños) con capacidades mentales, sensoriales o físicas reducidas o que carezcan de experiencia y conocimientos, a menos que se encuentren bajo supervisión o hayan recibido instrucciones sobre el uso del refrigerador por parte de un responsable de su seguridad.
- Este electrodoméstico puede ser utilizado por niños mayores de 8 años y personas con capacidades físicas, sensoriales o mentales reducidas, o que carezcan de experiencia y conocimientos, si se encuentran bajo supervisión o han recibido instrucciones sobre el uso seguro del electrodoméstico y comprenden los posibles riesgos.

No deje que los niños jueguen con el electrodoméstico. Los niños no deben efectuar tareas de limpieza ni de mantenimiento sin supervisión.

- Si el cable de alimentación está dañado, debe ser reemplazado por el fabricante, su agente de servicios o personas igualmente calificadas para evitar riesgos.
- Debe poder accederse al tomacorriente con facilidad para que el electrodoméstico pueda desenchufarse de la alimentación en caso de emergencia.
 - Debe encontrarse fuera de la zona trasera del electrodoméstico.
- No almacene sustancias explosivas como latas de aerosoles con gases propelentes inflamables en este electrodoméstico.



- Si el producto cuenta con lámparas LED, no desensamble las cubiertas de la lámpara y las lámparas LED usted mismo.
 - Comuníquese con un Centro de Servicio de Samsung.
 - Utilice solamente lámparas LED proporcionadas por el fabricante o sus agentes de servicio técnico.
- Se deben utilizar las mangueras nuevas provistas con el electrodoméstico y no reutilizar las mangueras antiguas.
- El refrigerador solo debe conectarse al suministro de agua potable. Para que la fábrica de hielo funcione correctamente, se necesita una presión de agua de 30 a 125 psi (206 a 862 kPa).
- Para un uso más eficiente de la energía, conserve todos los accesorios internos, como cestas, cajones y estantes, en la misma posición en que los suministró el fabricante.
- Para obtener la mejor eficiencia energética de este producto, deje todos los estantes, cajones y cestas en su posición original.



Información sobre seguridad

Cómo minimizar el consumo de energía

- Instale el electrodoméstico en un ambiente fresco y seco con la ventilación adecuada.
- Asegúrese de que no esté expuesto a la luz solar directa y nunca lo coloque cerca de una fuente de calor directa (por ejemplo, un radiador).
 - Se recomienda no bloquear las ventilaciones ni las rejillas para una mayor eficiencia energética.
 - Deje enfriar los alimentos calientes antes de colocarlos en el electrodoméstico.
 - Coloque los alimentos congelados en el refrigerador para descongelarlos. Puede utilizar las temperaturas bajas de los productos congelados para enfriar los alimentos en el refrigerador.
 - No deje la puerta abierta durante mucho tiempo cuando coloque o retire alimentos.
 - Cuanto menos tiempo esté abierta la puerta, menos hielo se formará en el congelador.
 - Limpie con regularidad la parte posterior del refrigerador. El polvo aumenta el consumo de energía.
 - No ajuste una temperatura más fría de la necesaria.
 - Asegúrese de que haya suficiente salida de aire en la base y en la pared posterior del refrigerador. No cubra las rejillas de ventilación.
 - Cuando realice la instalación, deje un espacio libre a la derecha, izquierda, atrás y arriba. Esto ayudará a reducir el consumo de energía y bajar el gasto de las facturas de energía.



-
- Los valores recomendados para el espacio libre son:
 - Lado derecho, izquierdo y parte trasera: más de 50 mm
 - Lado superior: más de 100 mm

Este electrodoméstico está diseñado para uso doméstico y en lugares como

- zonas de cocina de tiendas, oficinas y otros entornos de trabajo
- granjas y zonas de uso de los clientes en hoteles, moteles u otros entornos de tipo residencial
- hospederías
- banqueterías y eventos en instalaciones similares



Información sobre seguridad

Señales de advertencia importantes para el transporte y el emplazamiento

ADVERTENCIA

- Al transportar e instalar el electrodoméstico, se deberá tener cuidado de no dañar ninguna de las piezas del circuito del refrigerante.
 - La pérdida de refrigerante del tubo podría incendiarse o dañar los ojos. Si se detecta una fuga, manténgalo alejado de las llamas o de posibles fuentes de inflamación y ventile durante varios minutos el ambiente en el que se encuentra la unidad.
 - El electrodoméstico contiene una pequeña cantidad de refrigerante de isobutano (R-600a), un gas natural con alta compatibilidad ambiental que, no obstante, también es combustible. Al transportar e instalar el electrodoméstico, se deberá tener cuidado de no dañar ninguna de las piezas del circuito del refrigerante.
- Al transportar e instalar el refrigerador, no toque la manguera de agua de la parte posterior.
 - Esto podría dañar el refrigerador y, como resultado, el dispensador de agua no se podrá utilizar.



Advertencias muy importantes para la instalación

ADVERTENCIA

- No instale el refrigerador en un lugar húmedo o donde pueda entrar en contacto con agua.
 - El aislamiento deficiente de las piezas eléctricas puede provocar una descarga eléctrica o un incendio.
- No exponga este refrigerador a la luz solar directa ni al calor de estufas, calefactores u otros electrodomésticos.
- No enchufe varios electrodomésticos en la misma toma múltiple. El refrigerador debe conectarse siempre a un tomacorriente individual cuyo voltaje nominal coincida con el que se especifica en la placa de voltaje del refrigerador.
 - Así se obtiene el mejor desempeño y se evita la sobrecarga de los circuitos del cableado de la casa, lo cual podría provocar un riesgo de incendio a causa del recalentamiento de los cables.
- Si el tomacorriente está flojo, no conecte el enchufe.
 - Existe el riesgo de que se produzca una descarga eléctrica o un incendio.
- No utilice un cable de alimentación que esté dañado o gastado en su extensión o en cualquiera de los extremos.
- No doble excesivamente el cable de alimentación ni coloque objetos pesados sobre él.
- No tire del cable de alimentación ni lo doble excesivamente.
- No retuerza ni amarre el cable de alimentación.



Información sobre seguridad

- No coloque el cable de alimentación sobre un objeto metálico; no coloque sobre él ningún objeto pesado; no lo coloque entre objetos ni lo empuje hacia el espacio que hay detrás del electrodoméstico.
- Al mover el refrigerador, tenga cuidado de no enroscar ni dañar el cable de alimentación.
 - Esto podría causar una descarga eléctrica o un incendio.
- Nunca desenchufe el refrigerador jalando el cable de alimentación. Siempre sostenga el enchufe con firmeza y jale para extraerlo del tomacorriente.
 - Los daños al cable pueden provocar un cortocircuito, un incendio o una descarga eléctrica.
- No utilice aerosoles cerca del refrigerador.
 - Esto podría causar una explosión o un incendio.
- No instale este electrodoméstico cerca de calefactores o materiales inflamables.
- No instale este electrodoméstico en un lugar donde pueda haber fugas de gas.
 - Esto podría causar una descarga eléctrica o un incendio.
- Antes de usarse, el refrigerador debe ubicarse e instalarse de manera apropiada de acuerdo con las instrucciones de este manual.
- Conecte el enchufe en la posición correcta con el cable colgando hacia abajo.
 - Si conecta el enchufe al revés, el cable puede cortarse y provocar un incendio o una descarga eléctrica.
- Asegúrese de que el enchufe no esté aplastado ni haya sido dañado por la parte posterior del refrigerador.



- Mantenga los materiales de empaque fuera del alcance de los niños.
 - Existe el riesgo de muerte por asfixia si un niño se coloca los materiales de empaque en la cabeza.
- No instale este electrodoméstico en un lugar húmedo, engrasado o sucio, ni en una ubicación expuesta a luz solar directa o al agua (lluvia).
 - El aislamiento deteriorado de las piezas eléctricas puede provocar una descarga eléctrica o un incendio.
- No se pare sobre el electrodoméstico ni le coloque objetos encima (tales como ropa, velas o cigarrillos encendidos, platos, productos químicos, objetos metálicos, etc.).
 - Esto podría causar una descarga eléctrica, un incendio, problemas con el producto o lesiones.
- Es necesario quitar toda la película plástica protectora antes de enchufar el producto por primera vez.
- Se deberá vigilar a los niños para asegurarse de que no jueguen con los anillos elásticos utilizados para el ajuste de la puerta o con las grapas del tubo de agua.
 - Existe riesgo de muerte por asfixia si un niño se traga un anillo elástico o una grapa del tubo de agua. Mantenga los anillos elásticos y las grapas del tubo de agua fuera del alcance de los niños.
- El refrigerador debe estar conectado a tierra de manera segura.
 - Siempre asegúrese de haber conectado el refrigerador a tierra antes de intentar examinar o reparar alguna pieza. Las fugas de energía pueden provocar una descarga eléctrica grave.



Información sobre seguridad

- Nunca utilice como conexión a tierra tubos de gas, líneas telefónicas ni otras posibles fuentes de atracción de rayos.
 - El refrigerador debe estar conectado a tierra para evitar cualquier fuga de energía o descarga eléctrica provocada por fugas de corriente del refrigerador.
 - Esto podría causar descargas eléctricas, incendios, explosiones o problemas con el producto.
- Conecte bien el enchufe al tomacorriente. No utilice enchufes o cables de alimentación dañados ni enchufes de pared flojos.
 - Esto podría causar una descarga eléctrica o un incendio.
- El fusible del refrigerador debe ser reemplazado por un técnico calificado o una compañía de servicios.
 - No seguir esta recomendación, podría causar una descarga eléctrica o lesiones.

Precauciones para la instalación

PRECAUCIÓN

- Deje espacio suficiente alrededor del refrigerador e instálelo sobre una superficie plana.
 - Si el refrigerador no está nivelado, la eficiencia de enfriamiento y la durabilidad pueden reducirse.
- Antes de cargar alimentos, el electrodoméstico debe permanecer en posición vertical durante 2 o 3 horas después de la instalación y el encendido.



-
- Recomendamos que el refrigerador sea instalado por un técnico calificado o una compañía de servicios.
 - No seguir esta recomendación puede causar descargas eléctricas, incendios, explosiones, problemas con el producto o lesiones.

Advertencias muy importantes para el uso

ADVERTENCIA

- No conecte el enchufe en un tomacorriente con las manos mojadas.
 - Esto podría causar una descarga eléctrica.
- No coloque objetos en la parte superior de la unidad.
 - Cada vez que abra o cierre la puerta, estos podrían caerse y provocar lesiones personales o daños materiales.
- No coloque las manos, los pies ni objetos metálicos (como palillos chinos, etc.) en la parte inferior o posterior del refrigerador.
 - Esto podría causar una descarga eléctrica o lesiones personales.
 - Algunos bordes filosos podrían provocar lesiones personales.
- No toque las paredes internas del congelador ni los productos almacenados en este con las manos mojadas.
 - Esto puede provocar quemaduras por frío.
- No coloque un recipiente con agua sobre el refrigerador.
 - Si se derrama, existe el riesgo de que se produzca un incendio o una descarga eléctrica.

Información sobre seguridad

- No almacene sustancias u objetos volátiles o inflamables (benceno, solvente, gas propano, alcohol, éter, gas LP ni cualquier otro producto de este tipo) en el refrigerador.
 - Este refrigerador se debe utilizar solo para almacenar alimentos.
 - Esto podría causar un incendio o una explosión.
- Se deberá vigilar a los niños para asegurarse de que no jueguen con el electrodoméstico.
 - Aleje los dedos de los puntos de agarre. Los espacios entre las puertas y el gabinete son inevitablemente pequeños. Abra las puertas con cuidado si hay niños cerca.
- No ponga los dedos entre las puertas, ni permita que los niños lo hagan.
 - Mantenga los dedos lejos del espacio entre las puertas izquierda y derecha. Si tiene los dedos entre las puertas, tenga cuidado al abrirlas.
- No permita que los niños se cuelguen de la puerta ni de los compartimientos de la puerta. Pueden producirse lesiones graves.
- No permita que los niños ingresen al refrigerador. Podrían quedar atrapados.
- No coloque las manos debajo del electrodoméstico.
 - Es posible que algunas puntas filosas le provoquen lesiones.
- No almacene en el refrigerador productos farmacéuticos, materiales científicos ni productos sensibles a la temperatura.
 - No se deben almacenar productos que requieran controles estrictos de temperatura.

- En caso de sentir olor a fármacos o a humo, desconecte el enchufe de inmediato y comuníquese con el centro de servicio de Samsung Electronics.
- Si el refrigerador tiene polvo o agua, desenchúfelo y comuníquese con el centro de servicio de Samsung Electronics.
 - Si no lo hace, existe el riesgo de que se produzca un incendio.
- No permita que los niños se paren sobre un cajón.
 - El cajón se puede romper y los niños pueden caerse.
- No deje las puertas del refrigerador abiertas sin vigilancia ni permita que los niños ingresen en el refrigerador.
- No permita que los bebés ni los niños ingresen en el cajón.
 - Esto puede provocar muerte por asfixia debido al encierro o lesiones personales.
- No sobrecargue el refrigerador con comida.
 - Cuando abra la puerta, algún elemento podría caerse y provocar lesiones personales o daños materiales.
- No pulverice material volátil, tal como un insecticida, sobre la superficie del electrodoméstico.
 - Además de ser perjudicial para los seres humanos, puede causar una descarga eléctrica, un incendio o problemas con el producto.
- Nunca coloque los dedos u otros objetos en el hueco del dispensador de agua, en el recipiente de hielo o en la cubeta de la fábrica de hielo.
 - Esto puede provocar lesiones personales o daños materiales.



Información sobre seguridad

- No utilice ni coloque cerca o dentro del refrigerador ninguna sustancia sensible a la temperatura, tales como pulverizadores inflamables, objetos inflamables, hielo seco, medicamentos o productos químicos.
- No utilice un secador de cabello para secar el interior del refrigerador. No coloque velas encendidas en el refrigerador para quitar los malos olores.
 - Esto podría causar una descarga eléctrica o un incendio.
- Llene el tanque de agua y la charola para el hielo solamente con agua potable (agua de la llave, agua mineral o agua purificada).
 - No llene el tanque con té ni bebidas isotónicas. Esto podría dañar el refrigerador.
- No se pare sobre el electrodoméstico ni le coloque objetos encima (tales como ropa, velas o cigarrillos encendidos, platos, productos químicos, objetos metálicos, etc.). Esto podría causar una descarga eléctrica, un incendio, problemas con el producto o lesiones. No coloque un recipiente con agua sobre el electrodoméstico.
 - Si se derrama, existe el riesgo de que se produzca un incendio o una descarga eléctrica.
- No coloque el estante al revés. El tope del estante no funcionará.
 - Si el estante de vidrio se cae, puede causar lesiones personales.
- Si se detecta una fuga de gas, evite las llamas o posibles fuentes de ignición y ventile durante varios minutos la habitación en la que se encuentra el electrodoméstico.
 - No toque el electrodoméstico ni el cable de alimentación.



- No utilice un ventilador.
- Una chispa puede provocar una explosión o un incendio.
- Las botellas se deben almacenar una junto a otra de manera tal que no se caigan.
- Este producto se debe utilizar solo para almacenar alimentos en un entorno doméstico.
- Nunca coloque los dedos u otros objetos en el hueco del dispensador de agua, en el recipiente de hielo o en la cubeta de la fábrica de hielo.
 - Esto puede provocar lesiones personales o daños materiales.
- No intente reparar, desensamblar ni modificar el refrigerador por su cuenta.
- No utilice ningún fusible (tales como los de alambres de acero, de cobre, etc.) que no sea un fusible estándar.
- Si es necesario reparar o volver a instalar el refrigerador, comuníquese con su centro de servicio más cercano.
 - No seguir esta recomendación puede causar una descarga eléctrica, un incendio, problemas con el producto o lesiones.
- En caso de sentir olor a quemado o a humo en el refrigerador, desenchúfelo de inmediato y comuníquese con el centro de servicio de Samsung Electronics.
 - No seguir esta recomendación podría causar una descarga eléctrica o un incendio.
- Desenchufe el refrigerador antes de cambiar las lámparas internas.
 - Si no lo hace, existe el riesgo de que se produzca una descarga eléctrica.

Información sobre seguridad

- Si le resulta difícil cambiar una luz que no sea de LED, comuníquese con un Centro de Servicio de Samsung.
- Conecte bien el enchufe al tomacorriente.
- No utilice enchufes ni cables de alimentación dañados ni un tomacorriente flojo.
 - Esto podría causar una descarga eléctrica o un incendio.

Precauciones de uso

PRECAUCIÓN

- No vuelva a congelar alimentos descongelados.
 - Los alimentos congelados y luego descongelados desarrollan bacterias nocivas más rápido que los alimentos frescos.
 - La segunda descongelación descompone aún más la estructura de las células, con la consiguiente pérdida de humedad y la modificación de la integridad del producto.
- No descongele la carne a temperatura ambiente.
 - La seguridad dependerá de si el producto crudo se trató de una manera adecuada.
- No coloque botellas de vidrio ni bebidas carbonatadas en el congelador.
 - El recipiente puede congelarse y romperse, y esto puede ocasionar lesiones.
- Utilice solamente la fábrica de hielo del refrigerador.

- Si se ausentará de su casa por un período prolongado (por ejemplo, de vacaciones) y no usará los dispensadores de agua o hielo, cierre la válvula de agua.
 - De lo contrario, pueden producirse fugas de agua.
- Si no utilizará el refrigerador por un período prolongado (3 semanas o más), debe vaciarlo (la cubeta de hielo incluida), desenchufarlo, cerrar la válvula de agua, retirar el exceso de humedad de las paredes internas y dejar las puertas abiertas para que no aparezcan olores y moho.
- Para obtener el mejor desempeño del producto:
 - No coloque alimentos muy cerca de las rejillas de ventilación en la parte posterior del refrigerador, ya que pueden obstruir la libre circulación del aire en el compartimiento del refrigerador.
 - Envuelva los alimentos adecuadamente o colóquelos en recipientes herméticos antes de almacenarlos en el refrigerador.
 - Cumpla con los tiempos máximos de almacenamiento y las fechas de vencimiento de los alimentos congelados.
 - No es necesario desenchufar el refrigerador si se ausentará menos de tres semanas. Sin embargo, si se ausentará durante más de tres semanas, debe retirar todos los alimentos y el hielo de la cubeta, desenchufar el refrigerador, cerrar la válvula de agua, retirar el exceso de humedad de las paredes internas y dejar las puertas abiertas para que no aparezcan olores y moho.

Información sobre seguridad

- Garantía de servicio y modificación.
 - El servicio de garantía de Samsung no cubre los cambios o las modificaciones realizadas por un tercero a este electrodoméstico; Samsung tampoco es responsable de los problemas relacionados con la seguridad que puedan surgir a causa de modificaciones hechas por terceros.
- No obstruya las rejillas de ventilación dentro del refrigerador.
 - Si las rejillas de ventilación están tapadas, en particular con una bolsa de plástico, el refrigerador se puede sobrecongelar. Si el período de enfriamiento es demasiado prolongado, el filtro de agua puede romperse y provocar fugas de agua.
- Utilice solamente la fábrica de hielo provista con el refrigerador.
- Retire el exceso de humedad del interior del refrigerador y deje las puertas abiertas.
 - De lo contrario, pueden aparecer olores y moho.
- Si se desconecta el refrigerador del suministro de energía, espere al menos cinco minutos antes de volver a enchufarlo.
- Si el refrigerador se moja, desenchúfelo y comuníquese con el centro de servicio de Samsung Electronics.
- No golpee ni aplique una fuerza excesiva sobre ninguna superficie de vidrio.
 - Un vidrio roto puede causar lesiones personales o daños materiales.
- Tenga cuidado de que sus dedos no queden atrapados.

-
- Si el refrigerador está lleno de agua, comuníquese con el centro de servicio más cercano.
 - Existe el riesgo de que se produzca una descarga eléctrica o un incendio.
 - No guarde aceite vegetal en los compartimientos de la puerta del refrigerador. El aceite puede solidificarse y modificar su sabor y la facilidad de uso. Asimismo, el envase abierto puede gotear y el aceite vertido puede causar grietas en el compartimiento de la puerta. Una vez abierto un envase de aceite, es mejor almacenarlo en un lugar fresco y a la sombra, como un armario o alacena.
 - Ejemplos de aceite vegetal: aceite de oliva, de maíz, de semilla de uva, etc.

Información sobre seguridad

Precauciones para la limpieza

PRECAUCIÓN

- No rocíe agua directamente dentro o fuera del refrigerador.
 - Existe el riesgo de que se produzca un incendio o una descarga eléctrica.
- No utilice un secador de cabello para secar el interior del refrigerador.
- No coloque velas encendidas en el refrigerador para eliminar los malos olores.
 - Esto podría causar una descarga eléctrica o un incendio.
- No rocíe productos de limpieza directamente sobre el visor.
 - Las letras impresas en el visor pueden borrarse.
- Si cualquier sustancia extraña, tal como agua, ingresa en el refrigerador, desenchúfelo y comuníquese con su centro de servicio más cercano.
 - No seguir esta recomendación podría causar una descarga eléctrica o un incendio.
- Use un paño seco y limpio para retirar cualquier sustancia extraña o polvo de las clavijas del enchufe. No utilice un paño mojado ni húmedo para limpiar el enchufe.
 - De lo contrario, existe el riesgo de que se produzca un incendio o una descarga eléctrica.
- No limpie el refrigerador rociando agua directamente sobre él.
- No utilice benceno, solvente, Clorox ni cloruro para limpiarlo.
 - Pueden dañar la superficie del refrigerador y provocar un incendio.

- Nunca coloque los dedos ni otros objetos en el hueco del dispensador.
 - Esto puede provocar lesiones personales o daños materiales.
- Antes de limpiar o realizar el mantenimiento, desenchufe el refrigerador del enchufe de pared.
 - No seguir esta recomendación podría causar una descarga eléctrica o un incendio.
- Utilice una esponja limpia o un paño suave y un detergente neutro disuelto en agua templada para limpiar el refrigerador.
- No utilice limpiadores abrasivos ni muy fuertes, como limpiacristales, limpiadores corrosivos, líquidos inflamables, ácido clorhídrico, ceras limpiadoras, detergentes concentrados, blanqueadores o limpiadores que contengan petróleo en las superficies externas (puertas y paneles), piezas de plástico, revestimientos de puertas e interiores y juntas.
 - Pueden rayar o dañar el material.
- No limpie con agua caliente los estantes o las cubiertas de vidrio cuando estén fríos. Los estantes y las cubiertas de vidrio pueden romperse si se exponen a cambios bruscos de temperatura o a impactos como golpes o caídas.

Información sobre seguridad

Advertencias muy importantes para la eliminación de residuos

ADVERTENCIA

- Deseche el material de empaque de este producto de forma tal que no resulte nocivo para el medio ambiente.
- Asegúrese de que ninguno de los tubos que se encuentran en la parte trasera del refrigerador estén dañados antes de desecharlos.
- Se utiliza R-600a o R-134a como refrigerante. Mire la etiqueta del compresor en la parte posterior del electrodoméstico o la etiqueta de voltaje dentro del refrigerador para constatar qué refrigerante se utiliza. Si este refrigerador contiene gas inflamable (Refrigerante R-600a), comuníquese con las autoridades locales para desechar este producto en forma segura.
- Cuando deseche este refrigerador, retire los burletes y los pestillos de las puertas de manera tal que los niños pequeños o los animales no puedan quedar atrapados en el interior. Se deberá vigilar a los niños para asegurarse de que no jueguen con el electrodoméstico. Si un niño queda atrapado dentro, puede lesionarse o asfixiarse hasta morir.
 - Si un niño queda atrapado dentro, puede resultar herido y asfixiarse hasta morir.
- Se utiliza ciclopentano como aislante. Los gases del material de aislamiento requieren un procedimiento especial para desecharlos. Comuníquese con las autoridades locales para desechar este producto de manera que no resulte nocivo para el medio ambiente.

-
- Mantenga los materiales de empaque fuera del alcance de los niños, ya que pueden ser peligrosos para ellos.
 - Si un niño se coloca una bolsa en la cabeza, puede asfixiarse.

Recomendaciones adicionales para el uso adecuado

- En caso de un corte de energía, comuníquese con la oficina local de su compañía de electricidad y pregunte cuánto tiempo durará el corte.
 - La mayoría de los cortes de energía que se solucionan dentro del lapso de una o dos horas, no afectan las temperaturas del refrigerador. Sin embargo, deberá abrir la puerta la menor cantidad de veces posible.
 - Si el corte de energía dura más de 24 horas, deberá retirar y desechar toda la comida congelada.
- El refrigerador podría no funcionar de manera uniforme (el contenido puede descongelarse o la temperatura en el compartimiento de comidas congeladas puede elevarse) si se lo coloca durante un tiempo prolongado en un sitio donde la temperatura ambiente esté constantemente por debajo de las temperaturas para las que está diseñado el electrodoméstico.
- Algunos alimentos especiales, debido a sus características, pueden conservarse mal durante la refrigeración.
- El refrigerador es “no frost”, lo que significa que no es necesario descongelarlo manualmente. Esto se hará de forma automática.



Información sobre seguridad

- El aumento de la temperatura durante el descongelamiento cumple con los requerimientos ISO. Si desea evitar un aumento excesivo en la temperatura de los alimentos congelados mientras se descongela el electrodoméstico, envuélvalos con varias capas de papel de periódico.
- No vuelva a congelar alimentos que se hayan descongelado completamente.
- La temperatura de las secciones o compartimientos de dos estrellas con el símbolo (**) es ligeramente más elevada que la de otros compartimientos del congelador. Las secciones o compartimientos con dos estrellas se basan en la instrucción y/o condición a la entrega.



Instrucciones acerca de WEEE



Desecho correcto de este producto (Residuos de Aparatos Eléctricos y Electrónicos - WEEE por sus siglas en inglés)

(Corresponde a países con sistemas de recolección separados)

Las marcas en el producto, los accesorios o las indicaciones reflejan que el producto y sus accesorios electrónicos (por ejemplo cargador, audífonos, cable USB) no deberían desecharse con otros elementos del hogar al fin de su vida útil. Para evitar posibles daños al medioambiente o a la salud humana debido al desecho sin control de los desperdicios, deberán separarse esos elementos de otro tipo de desperdicios y reciclarlos en forma responsable a fin de promover la reutilización sostenible de los recursos materiales.

Los usuarios particulares deberían contactar al comerciante minorista donde adquirieron el producto, o a la oficina pública local, para obtener información sobre dónde y cómo llevar estos artículos en forma segura desde el punto de vista ambiental para su reciclado.

Los usuarios comerciales deben contactar a su proveedor y verificar las condiciones y términos en el contrato de compra. Este producto y sus accesorios electrónicos no deben mezclarse con otros desperdicios comerciales.

Para obtener información sobre los compromisos ambientales de Samsung y las obligaciones reglamentarias específicas del producto, como REACH, WEEE, baterías, visite nuestra página de sustentabilidad disponible en [Samsung.com](https://www.samsung.com)

(Para productos vendidos en países europeos únicamente)

Instalación

Siga las instrucciones cuidadosamente a fin de garantizar la instalación adecuada del refrigerador y de evitar accidentes antes de utilizarlo.

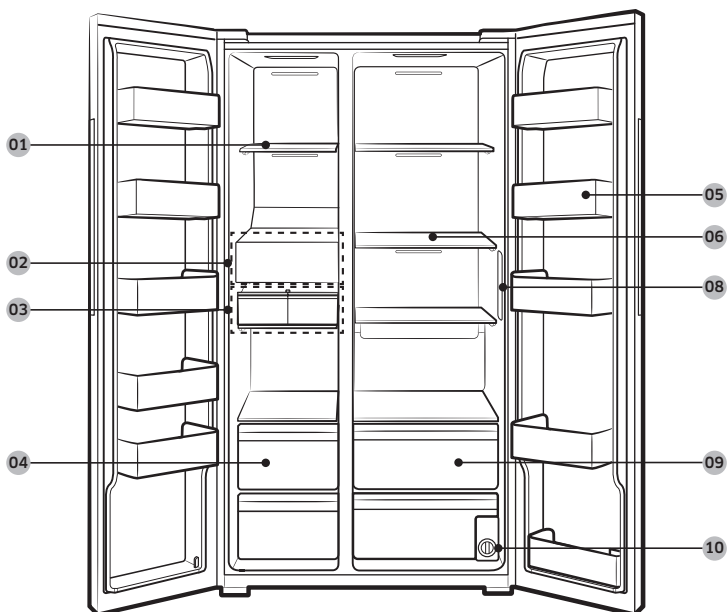
⚠ ADVERTENCIA

- Utilice el refrigerador solamente para su uso previsto como se describe en este manual.
- Todas las reparaciones deben estar a cargo de un técnico calificado.
- Descarte el material de empaque del producto de acuerdo con la normativa local.
- A fin de evitar descargas eléctricas, desenchufe el cable de alimentación antes de realizar trabajos de mantenimiento o reemplazo de piezas.

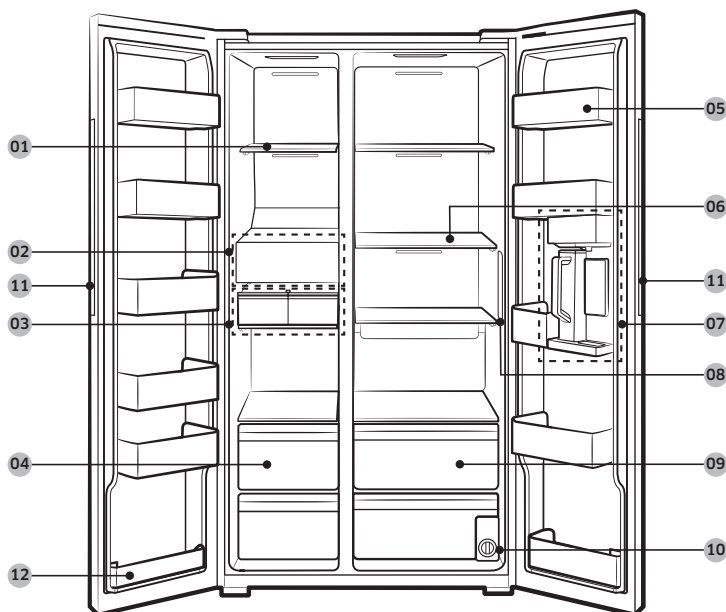
Descripción breve del refrigerador

El aspecto real del refrigerador puede diferir, dependiendo del modelo y del país.

Tipo A



Tipo B



- | | | |
|--------------------------------|---|---|
| 01 Estante del congelador | 02 Fábrica de hielo automática (Doble) * | 03 Cubeta de hielo * |
| 04 Cajón del congelador | 05 Compartimento de la puerta | 06 Estante plegable * |
| 07 Centro de bebidas interno * | 08 Panel principal | 09 Cajón del refrigerador |
| 10 Filtro de agua * | 11 Sensor de apertura automática de la puerta * | 12 Compartimento de la puerta del congelador inferior * |

* Solo para los modelos correspondientes

NOTA

Para algunos modelos, los estantes del refrigerador tienen diferentes longitudes. Si cambia la posición de los estantes, pueden golpear contra los artículos guardados en los compartimientos de la puerta. Asegúrese de colocar los estantes en su posición original.

Instalación

Instalación paso a paso

PASO 1 Seleccione un lugar

Requisitos del lugar:

- Una superficie sólida, nivelada sin alfombrado ni pisos que puedan obstruir la ventilación
- Alejado de la luz solar directa
- Espacio suficiente para abrir y cerrar la puerta
- Alejado de las fuentes de calor
- Espacio para realizar mantenimiento y reparaciones
- Rango de temperatura: entre 10 °C y 43 °C

Rango de temperatura efectiva

El refrigerador está diseñado para funcionar normalmente dentro del rango especificado en su calificación de clase.

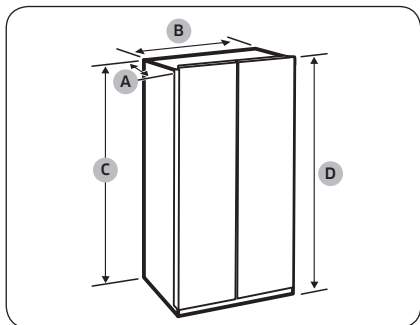
Clase	Símbolo	Rango de temperatura ambiente (°C)	
		IEC 62552 (ISO 15502)	ISO 8561
Templado extendido	SN	+10 a +32	+10 a +32
Templado	N	+16 a +32	+16 a +32
Subtropical	ST	+16 a +38	+18 a +38
Tropical	T	+16 a +43	+18 a +43

NOTA

El desempeño de enfriamiento y consumo de energía del refrigerador puede verse afectado por la temperatura ambiente, la frecuencia de la apertura de la puerta y la ubicación del refrigerador. Recomendamos ajustar los parámetros de temperatura según corresponda.

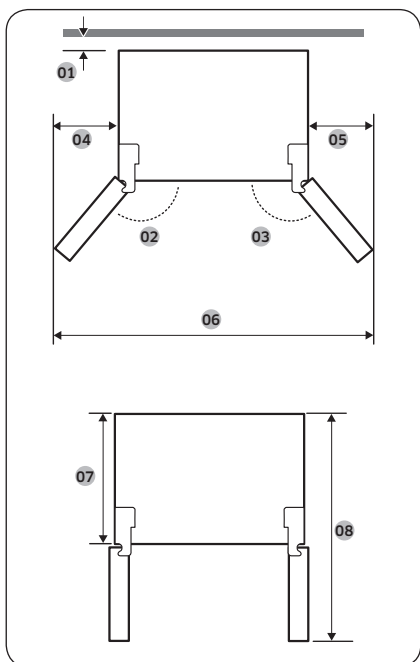
Espacio libre

Consulte las siguientes cifras y tablas para conocer los requisitos de espacio para la instalación.



Modelo	RS23CB7*	RS28CB7*
Profundidad "A"	732	857
Ancho "B"	912	912
Altura "C"	1744	1744
Altura total "D"	1782	1782

(unidad: mm)



	RS23CB7*	RS28CB7*
01	se recomienda más de 50 mm	
02	165°	
03	165°	
04	355 mm	
05	461 mm	
06	1727 mm	
07	610 mm	735 mm
08	1179 mm	1304 mm

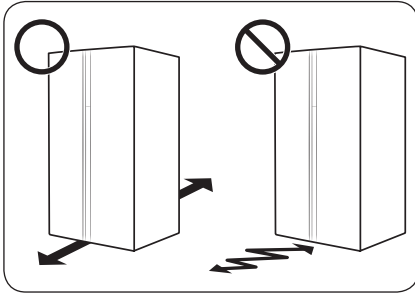
Instalación

NOTA

Las medidas de la tabla anterior pueden variar, dependiendo del método de medición.

Instalación

PASO 2 Piso



- La superficie sobre la que se instalará el refrigerador debe soportar un refrigerador completamente cargado.
- A fin de proteger el piso, coloque un trozo de cartón debajo de las patas del refrigerador al moverlo para realizar la instalación.
- Una vez que el refrigerador esté en su posición final, no lo mueva a menos que sea necesario a fin de proteger el piso. Si debe hacerlo, utilice un papel o una tela gruesa, como una alfombra vieja, en el recorrido por el que lo desplazará.

📌 NOTA

Si el refrigerador no pasa por la puerta por su tamaño, consulte la sección **Extracción de la puerta para la entrada**.

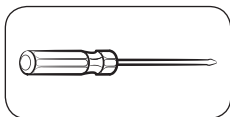


PASO 3 Extracción de la puerta para la entrada

Si el refrigerador no pasa por la puerta por su tamaño, siga estas instrucciones:

Herramientas necesarias (no provistas)

Para extraer las puertas se utilizan las siguientes herramientas.



Destornillador Phillips

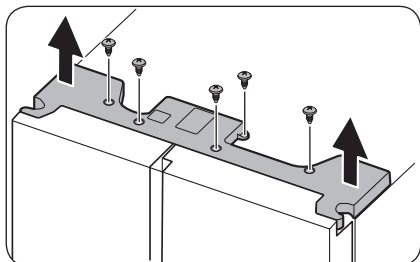
⚠ ADVERTENCIA

Desenchufe el cable de alimentación del refrigerador antes de retirar las puertas.

Cómo retirar las puertas

⚠ PRECAUCIÓN

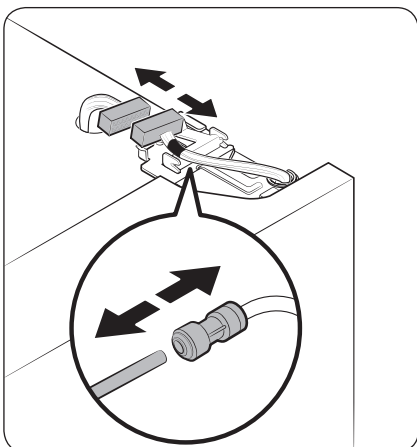
- La puerta podría caerse y dañarse durante este procedimiento. A fin de evitar accidentes, tenga precaución extrema al realizar estos pasos.
- No retire ambas puertas simultáneamente. Asegúrese de retirar una puerta por vez. De lo contrario, alguna podría caerse y provocar lesiones.



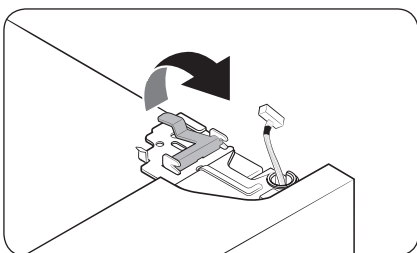
1. Con las puertas cerradas, utilice un destornillador Phillips para extraer los tornillos (x5) de la cubierta de la bisagra. Levante y retire la cubierta de la bisagra con los conectores.



Instalación



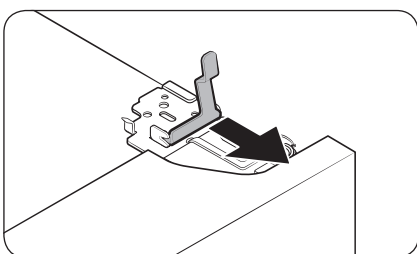
2. Desconecte el conector de cables de la puerta del refrigerador.
 - La posición de los conectores varía entre modelos.
3. Desconecte el tubo de agua del acoplador en la puerta del refrigerador.
 - Este paso solo aplica a los modelos que requieren un suministro de agua (para funciones como el llenado automático de la jarra, el dispensador de agua y la fábrica de hielo).



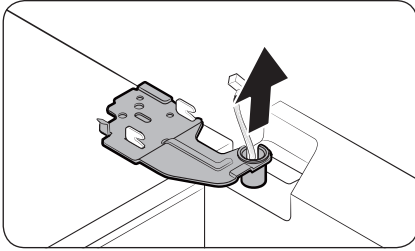
4. Levante suavemente la abrazadera.

NOTA

Para evitar daños a la abrazadera o lesiones físicas, no levante la abrazadera con fuerza.



5. Jale la abrazadera hacia arriba para retirarla.



6. Abra la puerta a 90 grados. Mientras sostiene la puerta, retire la bisagra.
Tenga cuidado de no dañar los conectores de cables al retirar la bisagra.

⚠ PRECAUCIÓN

Si retira la bisagra sin sujetar la puerta, esta podría caer y causar lesiones.

7. Repita los pasos 2 a 6 para la otra puerta, excepto el paso 3.
 - La puerta del congelador no tiene tubo de agua.

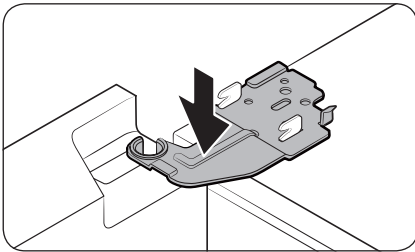
Cómo colocar nuevamente las puertas

⚠ PRECAUCIÓN

- Al volver a colocar las puertas, asegúrese de conectar correctamente todos los conectores de cables.
- La puerta del congelador debe colocarse antes que la puerta del refrigerador.

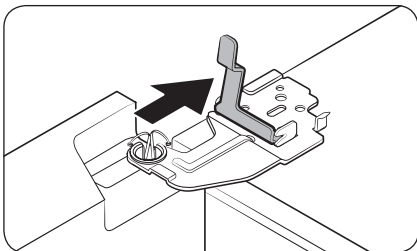


1. Sostenga la puerta del congelador y engánchela a la bisagra de la parte inferior del refrigerador.

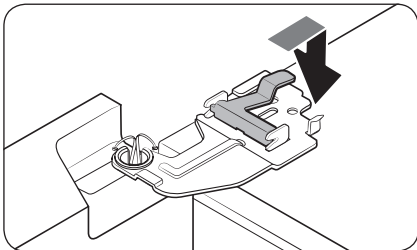


2. Coloque la bisagra en su posición y luego insértela en el orificio de la puerta.

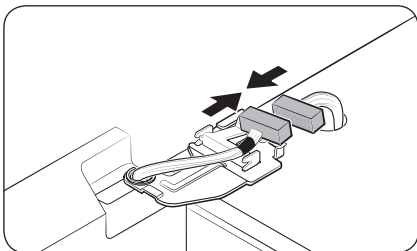
Instalación



3. Inserte la abrazadera en la dirección de la puerta.



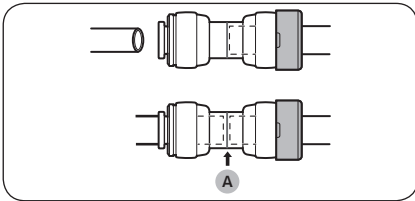
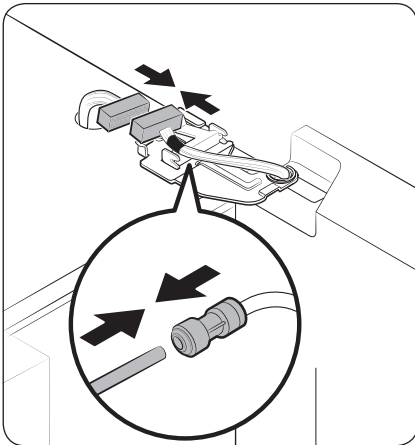
4. Presione la abrazadera como se ilustra.



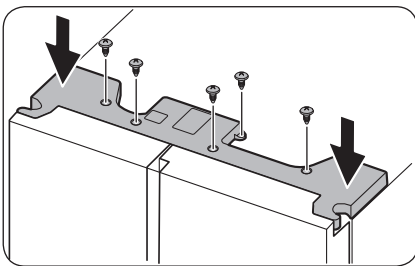
5. Conecte los conectores de cables.

⚠ PRECAUCIÓN

Asegúrese de que los conectores de cables estén bien conectados. De lo contrario, el visor (panel principal) no funcionará.



A. Centro del acoplador transparente



6. Repita los pasos 1 y 5 para la otra puerta.
7. Conecte el tubo de agua. (Puerta del refrigerador)
 - Este paso solo aplica a los modelos que requieren un suministro de agua (para funciones como el llenado automático de la jarra, el dispensador de agua y la fábrica de hielo).

⚠ PRECAUCIÓN

A fin de evitar fugas, debe insertar las mangueras de agua por completo en el centro del **acoplador (A)** transparente.

8. Coloque la cubierta de la bisagra con el lado frontal primero y, luego, presione la parte posterior hasta alcanzar su posición. Luego, ajuste los tornillos (x5).

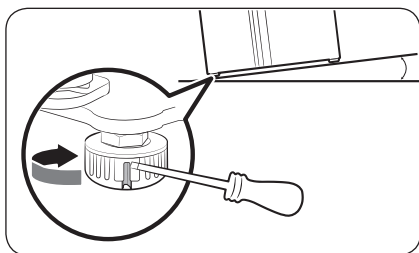
Instalación

PASO 4 Ajuste de las patas de nivelación

⚠ PRECAUCIÓN

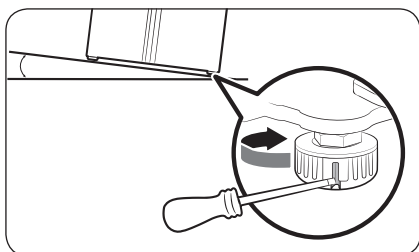
- El refrigerador debe estar nivelado sobre un piso plano y sólido. De lo contrario, el refrigerador podría dañarse o causar lesiones.
- La nivelación debe realizarse con el refrigerador vacío. Asegúrese de que no queden alimentos dentro del refrigerador.
- Por razones de seguridad, ajuste la parte delantera de manera que quede más elevada que la parte trasera.

El refrigerador puede nivelarse utilizando las patas delanteras que cuentan con un tornillo especial (nivelador) para realizar la nivelación. Utilice un destornillador plano para realizar la nivelación.



Para ajustar la altura del lado del congelador:

Inserte un destornillador plano en el nivelador de la pata delantera del lado del congelador. Gire el nivelador en el sentido de las agujas del reloj para elevarlo o en el sentido contrario para bajarlo.

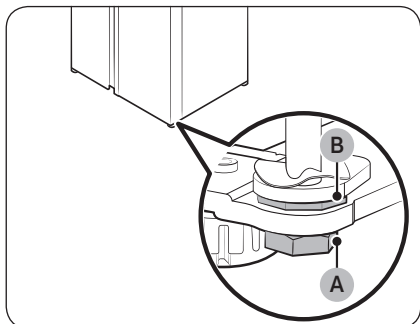


Para ajustar la altura del lado del refrigerador:

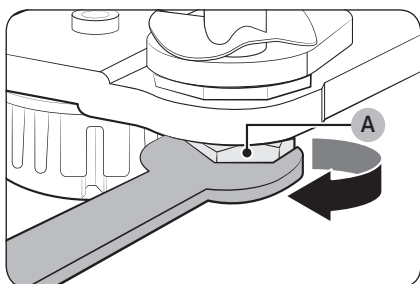
Inserte un destornillador plano en el nivelador de la pata delantera del lado del refrigerador. Gire el nivelador en el sentido de las agujas del reloj para elevarlo o en el sentido contrario para bajarlo.

PASO 5 Ajuste la altura de la puerta

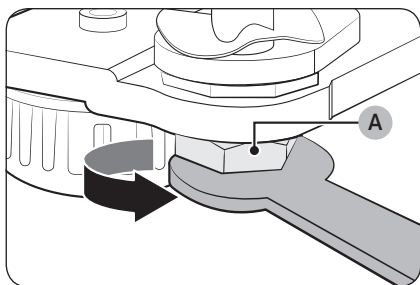
Es posible ajustar la altura de la puerta del refrigerador con la tuerca de fijación y la tuerca de regulación de altura ubicada en la parte inferior de la puerta.



1. Abra la puerta que desea ajustar y ubique las dos tuercas (A) y (B) en la parte frontal inferior de la puerta.



2. Con una llave de 19 mm, gire la **tuerca de fijación (A)** en sentido de las agujas del reloj para aflojarla. Luego, abra la puerta y haga lo siguiente dentro de la puerta.
 - Para elevar la puerta, gire la **tuerca de regulación de altura (B)** en el sentido contrario al de las agujas del reloj.
 - Para bajar la puerta, gire la **tuerca de regulación de altura (B)** en el sentido de las agujas del reloj.



3. Al finalizar, ajuste la **tuerca de fijación (A)** en el sentido contrario al de las agujas del reloj.

Instalación

PASO 6 Conexión a una fuente de agua

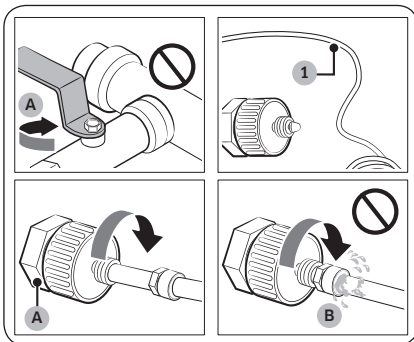
⚠ PRECAUCIÓN

- Se deben utilizar las mangueras nuevas provistas con el electrodoméstico y no reutilizar las mangueras antiguas.
- La instalación de la tubería de agua solo debe estar a cargo de un técnico calificado.
- La garantía del refrigerador no cubre la instalación de la tubería de agua. La instalación de la tubería de agua deberá realizarse a su cargo a menos que la tarifa de instalación esté incluida en el precio minorista.
- Samsung no se hace responsable de la instalación de la tubería de agua. En caso de fugas de agua, comuníquese con el instalador de la tubería.

Para conectar la tubería de agua fría a la manguera de filtrado de agua

⚠ PRECAUCIÓN

- Asegúrese de que la manguera de filtrado de agua esté conectada a una tubería de agua fría y potable. Si se conecta a una tubería de agua caliente, el purificador podría funcionar mal.



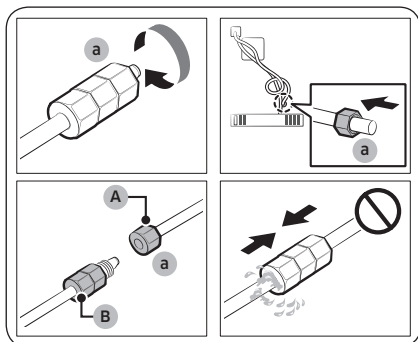
A. Cierre de la tubería de agua principal

B. Sin espacio

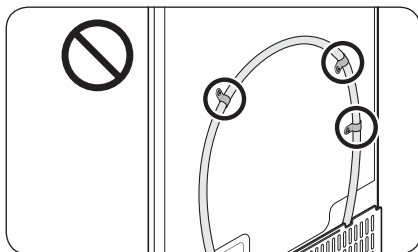
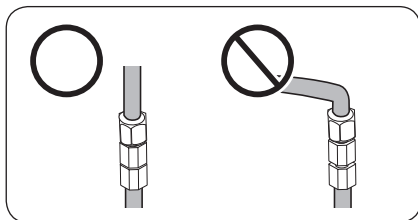
1. Cierre el suministro de agua con la válvula principal.
2. Ubique la **tubería de agua (1)** fría y potable.
3. Siga las instrucciones de instalación de la tubería de agua para conectarla.
4. Una vez finalizada la conexión, abra la válvula principal y dispense unos 3 litros de agua. Este procedimiento es para eliminar las impurezas de la tubería.



Para conectar la manguera de filtrado de agua a la tubería de agua



- A. Tubería de agua de la unidad
- B. Tubería de agua del equipo



Para reparar la tubería de agua

⚠ PRECAUCIÓN

Las reparaciones de la tubería de agua deben estar a cargo de un profesional calificado. Si detecta una fuga de agua, comuníquese con un centro de servicios Samsung local o con el instalador de la tubería de agua.

1. Afloje y retire la **tuerca de compresión (a)** de la tubería de agua del refrigerador e inserte la manguera de filtrado.
2. Ajuste la **tuerca de compresión (a)** para conectar la manguera de filtrado y la tubería de agua.
3. Abra la válvula de agua principal y controle que no haya fugas.
4. Si no hay fugas, dispense unos 3 litros de agua antes de usar el refrigerador a fin de eliminar las impurezas del sistema de filtrado.

📖 NOTA

Si debe reubicar el refrigerador después de conectar la **tubería de agua**, asegúrese de que la sección de la unión de la tubería se mantenga recta.

⚠ PRECAUCIÓN

No instale el filtro de agua en ninguna parte del refrigerador. Esto podría dañar el refrigerador.





Instalación

PASO 7 Configuración inicial

Al completar los siguientes pasos, el refrigerador quedará en perfectas condiciones de funcionamiento.

1. Enchufe el cable de alimentación al tomacorriente para encender el refrigerador.
2. Abra la puerta y verifique que la luz interna se encienda.
3. Configure la temperatura del congelador y el refrigerador.
 - La temperatura recomendada es de 0 °F (-18 °C) para el congelador y de 37 °F (3 °C) para el refrigerador.
4. Cuando el congelador y el refrigerador alcanzan la temperatura establecida, puede cambiarla a la temperatura que desee y usar el refrigerador.

PASO 8 Verificación final

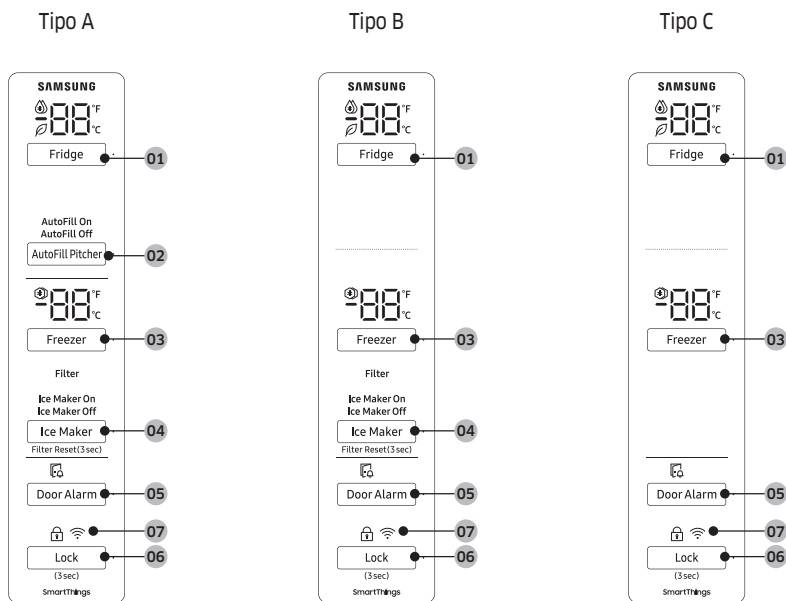
Una vez finalizada la instalación, confirme que:

- El refrigerador esté enchufado al tomacorriente y correctamente conectado a tierra.
- El refrigerador esté instalado sobre una superficie plana y nivelada con un espacio libre razonable con respecto a la pared o el gabinete.
- El refrigerador esté nivelado y apoyado firmemente en el piso.
- La puerta se abre y cierra libremente y la luz interior se enciende automáticamente al abrir la puerta.



Funcionamiento

Panel principal



01 Fridge (Refrigerador) / °F ↔ °C

03 Freezer (Congelador) /
Sonido de apertura automática de la puerta *

05 Door Alarm (Alarma de la puerta)

07 Conexión de red

* solo para los modelos correspondientes

NOTA


- Si la puerta queda abierta durante 5 minutos, la luz interior parpadeará durante 5 minutos y se apagará. Esto sirve para alertar a los usuarios sordos y con problemas de audición que hay una puerta abierta. Tenga en cuenta que esta función es normal.
- La temperatura del refrigerador puede aumentar si abre la puerta con frecuencia o si se coloca una gran cantidad de alimentos dentro de este. Si esto ocurriera, el visor de temperatura parpadeará hasta que el refrigerador regrese al ajuste de temperatura especificado.

02 AutoFill Pitcher (Llenado automático de la jarra) *



04 Ice Maker (Fábrica de hielo) * /
Filter Reset (Restablecer filtro) *

06 Lock (Bloqueo) /
Wi-Fi encendido/apagado

Funcionamiento

- El visor del panel principal solo se enciende si la puerta está abierta, y se apaga cuando la puerta se cierra.
- El icono  aparece al activar AI Energy Mode en la aplicación SmartThings. (solo para los modelos correspondientes)

01 Refrigerador / °F ↔ °C (3 s)

Fridge (Refrigerador)	<p>Puede usar el botón Fridge (Refrigerador) para configurar la temperatura del refrigerador.</p> <ul style="list-style-type: none">• Presione Fridge (Refrigerador) varias veces para seleccionar una temperatura deseada entre 1 °C (34 °F) y 7 °C (44 °F).<ul style="list-style-type: none">- El indicador de temperatura le muestra la temperatura configurada o seleccionada actualmente. <p>Refrigeración rápida</p> <p>Refrigeración rápida acelera el proceso de enfriamiento con la velocidad máxima del ventilador. El refrigerador funciona a máxima velocidad durante dos horas y media antes de volver a la temperatura previa.</p> <ul style="list-style-type: none">• Para activar Refrigeración rápida, seleccione una temperatura de 1 °C (34 °F) y, luego, presione Fridge (Refrigerador) para seleccionar Refrigeración rápida. Se enciende el indicador correspondiente () y el refrigerador acelera el proceso de enfriamiento.• Para desactivar Refrigeración rápida, presione Fridge (Refrigerador) nuevamente. Luego, la temperatura del refrigerador se volverá a establecer en 7 °C (44 °F). <p> NOTA</p> <p>Al utilizar Refrigeración rápida, aumenta el consumo energético. Si no tiene intenciones de utilizar la función, asegúrese de apagarla y volver a la temperatura anterior.</p>
°F ↔ °C	<p>También puede utilizar el botón Fridge (Refrigerador) para modificar la escala de temperatura de Celsius a Fahrenheit. Para cambiar la escala de temperatura, mantenga presionado Fridge (Refrigerador) durante 3 segundos para modificar la escala de temperatura actual.</p>

02 Llenado automático de la jarra (Solo para tipo A)

Presione **AutoFill Pitcher (Llenado automático de la jarra)** para activar o desactivar la función.

- Puede configurar el modo Llenado automático de la jarra desde uno de los siguientes modos.
 - **AutoFill On (Llenado automático activado) (AutoFill On)**: Configure para llenar su jarra de agua automáticamente.
 - **AutoFill Off (Llenado automático desactivado) (AutoFill Off)**: Configure para desactivar la función.
- En caso de fuga, el indicador de Llenado automático de la jarra parpadeará en el panel principal. En caso de fuga, abra la tapa de goma para que el agua drene. Si el indicador no deja de parpadear después del drenaje, es posible que haya una falla en el sistema. Comuníquese con el centro de servicio local de Samsung.

NOTA

Puede poner té o frutas en el infusor para preparar té o agua para infusiones. Si desea mantener el agua de la infusión en su concentración inicial, desactive la función Llenado automático de la jarra. (Para obtener más información, consulte la sección **Jarra de agua (Llenado automático de la jarra)** (solo para los modelos correspondientes) en la página 57).


Funcionamiento

03 Congelador / Sonido de apertura automática de la puerta (3 s)

Freezer (Congelador)	<p>Puede usar el botón Freezer (Congelador) para configurar la temperatura del refrigerador.</p> <ul style="list-style-type: none">• Presione Freezer (Congelador) varias veces para seleccionar una temperatura deseada entre -15 °C (5 °F) y -23 °C (-8 °F).<ul style="list-style-type: none">- El indicador de temperatura le muestra la temperatura configurada o seleccionada actualmente. <p>Congelación rápida</p> <p>Congelación rápida acelera el proceso de congelación con la velocidad máxima del ventilador. El congelador funciona a máxima velocidad durante 50 horas antes de volver a la temperatura previa. Para congelar una gran cantidad de alimentos, active Congelación rápida como mínimo 20 horas antes de poner alimentos en el congelador.</p> <ul style="list-style-type: none">• Para activar Congelación rápida, seleccione una temperatura de -23 °C (-8 °F) y, luego, presione Freezer (Congelador) para seleccionar Congelación rápida. Se enciende el indicador correspondiente (❄️) y el refrigerador acelera el proceso de congelación.• Cuando termina el proceso de Congelación rápida, el indicador correspondiente se apaga y el congelador vuelve a la regulación de temperatura anterior.• Para desactivar Congelación rápida, presione Freezer (Congelador) nuevamente. Luego la temperatura del congelador se volverá a establecer en -15 °C (5 °F). <p>NOTA</p> <p>Al utilizar Congelación rápida, aumenta el consumo energético. Asegúrese de apagarla y volver a la temperatura anterior si no tiene intenciones de utilizarla.</p>
Auto door open sound (Sonido de apertura automática de la puerta) (solo para los modelos correspondientes)	<p>Mantenga presionado Freezer (Congelador) por 3 segundos para activar o desactivar el sonido que se escucha al usar la función de Apertura automática de la puerta.</p>



04 Fábrica de hielo / Restablecer filtro (3 s) (solo para los modelos correspondientes)


Ice Maker (Fábrica de hielo)	<p>Presione Ice Maker (Fábrica de hielo) para encender o apagar la fábrica de hielo.</p> <p>La fábrica de hielo tiene 2 indicadores (Ice Maker On / Ice Maker Off) para indicar el estado de operación.</p> <ul style="list-style-type: none"> • Cuando la fábrica de hielo está en funcionamiento, se enciende el indicador Ice Maker On. • Cuando la fábrica de hielo está apagada, se enciende el indicador Ice Maker Off.
Filter Reset (Restablecer filtro)	<p>Después de aproximadamente 6 meses (y, por lo general, unos 1200 L de agua), el indicador de Restablecer filtro parpadea en rojo por varios segundos al abrir la puerta para recordarle que debe cambiarlo.</p> <p>Cuando esto ocurre, reemplace el filtro y, luego, mantenga presionado Ice Maker (Fábrica de hielo) por 3 segundos. La vida útil del filtro se restablecerá y el indicador de Restablecer filtro se apagará.</p> <p> NOTA</p> <ul style="list-style-type: none"> • Algunas regiones cuentan con cantidades relativamente elevadas de cal en el agua. Esto puede reducir la vida útil del filtro. En dichas áreas, deberá reemplazar el filtro de agua con mayor frecuencia que la especificada anteriormente. • Si el agua no se dispensa adecuadamente, es probable que el filtro de agua esté obturado. Reemplace el filtro de agua.

05 Alarma de la puerta

Si la puerta queda abierta durante más de 2 minutos, se activará la alarma y el indicador de la alarma parpadeará. Puede activar y desactivar la alarma presionando **Door Alarm (Alarma de la puerta)**. La alarma está activada como valor de fábrica.

Si la puerta queda abierta durante 5 minutos, la luz interior (en el refrigerador o congelador) parpadeará durante 5 minutos y se apagará. Esto sirve para alertar a los usuarios sordos y con problemas de audición que hay una puerta abierta. Tenga en cuenta que esta función es normal.

06 Bloqueo / Wi-Fi encendido/apagado (10 s)

Lock (Bloqueo)	<p>A fin de evitar el cambio accidental de los valores, mantenga presionado Lock (Bloqueo) por 3 segundos. El panel principal se desactivará y el indicador Bloqueo () se encenderá.</p> <p>Cuando Bloqueo está activado, el indicador parpadea si se presiona cualquier botón del panel principal. Si vuelve a mantener presionado el botón por más de 3 segundos, Bloqueo se desactiva. No obstante, si no se toca ningún botón durante un minuto, Bloqueo volverá a activarse.</p>
----------------	---



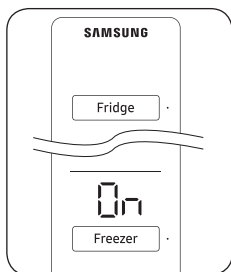


Funcionamiento

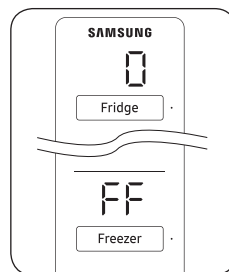
Wi-Fi On or Off (Wi-Fi encendido/apagado)

Para encender o apagar el Wi-Fi, presione el botón **Lock (Bloqueo)** durante 10 segundos. En el visor se muestra el estado de Wi-Fi durante 5 segundos (como se ve en la figura). Es posible que se oiga un zumbido al presionar el botón. No suelte el botón de bloqueo antes de visualizar el estado en la pantalla.

Wi-Fi encendido



Wi-Fi apagado



NOTA

- Debe encender el Wi-Fi para conectar el refrigerador a la aplicación SmartThings.
- Para obtener más información, consulte la sección **SmartThings (solo para los modelos correspondientes)**.

07 Conexión de red

Este icono indica que el refrigerador está conectado a una red. Si el icono de Wi-Fi parpadea, recomendamos conectar el refrigerador con la aplicación SmartThings. Puede controlar y supervisar su refrigerador mediante la aplicación SmartThings. Para obtener más información, consulte la sección SmartThings (solo para los modelos correspondientes).

Activar o desactivar el modo Shabat

El modo Shabat permanece activo por 85 horas una vez activado. Luego, se desactiva automáticamente.

- Para activar, presione y mantenga presionado **Door Alarm (Alarma de la puerta)** y **Lock (Bloqueo)** simultáneamente durante 5 segundos para ingresar al modo Shabat. Entonces, el refrigerador operará en modo Shabat, en cuyo caso los botones, el visor y las lámparas del ambiente quedarán bajo control.
- Para desactivar, mantenga presionados los botones nuevamente durante 5 segundos para salir del modo Shabat.

NOTA

Aunque el refrigerador se apague y se reinicie, el modo Shabat permanece activo. Para salir, antes debe desactivarlo.



SmartThings (solo para los modelos correspondientes)

Instalación

Visite Google Play Store, Galaxy Apps o Apple App Store y busque "SmartThings". Descargue e instale la aplicación SmartThings provista por Samsung Electronics en su dispositivo inteligente.

NOTA

- La versión de software de soporte de la aplicación SmartThings está sujeta a cambios de acuerdo con la política de soporte del sistema operativo que proporciona el fabricante. Además, en cuanto a la aplicación SmartThings o las funciones que admite la aplicación, la nueva política de actualización de la aplicación en la versión del sistema operativo existente puede suspenderse por razones de seguridad o de usabilidad.
- La aplicación SmartThings está sujeta a cambios sin previo aviso para mejorar la usabilidad o el rendimiento. Como la versión del sistema operativo del teléfono móvil se actualiza cada año, SmartThings también se actualiza de manera continua de acuerdo con el último sistema operativo. Si tiene preguntas sobre los puntos mencionados anteriormente, contáctenos a través de st.service@samsung.com
- Los sistemas de encriptación recomendados incluyen WPA/TKIP y WPA2/AES. No se admiten protocolos de autenticación Wi-Fi más nuevos o no estándar.
- Las redes inalámbricas pueden verse afectadas por los entornos de comunicación inalámbrica circundantes.
- Si su proveedor de servicios de Internet ha registrado la dirección MAC de su computadora o módem para identificación, su Samsung Smart Refrigerator puede dar error al conectarse a Internet. Si esto ocurre, comuníquese con su proveedor de servicios de Internet para recibir asistencia técnica.
- La configuración de firewall de su sistema de red puede impedir que su Samsung Smart Refrigerator acceda a Internet. Comuníquese con su proveedor de servicios de Internet para recibir asistencia técnica. Si el síntoma persiste, comuníquese con un centro de servicios Samsung local o el minorista.
- Para configurar el punto de acceso (PA) inalámbrico, consulte el manual de usuario del PA (enrutador).
- Los refrigeradores inteligentes Samsung son compatibles con los protocolos IEEE 802.11 b/g/n (2.4 GHz). (Se recomienda IEEE 802.11 n).
- Los enrutadores Wi-Fi no autorizados pueden no conectarse con los Samsung Smart Refrigerators correspondientes.



Funcionamiento

Cuenta Samsung

Debe registrar su cuenta Samsung para utilizar la aplicación. Si no tiene una cuenta Samsung, siga las instrucciones en pantalla de la aplicación para crear una gratuita.

Cómo comenzar

Encienda el dispositivo que desea conectar, abra la aplicación SmartThings en su teléfono y siga las instrucciones que figuran a continuación.

Si aparece un mensaje emergente que indica que se encontró un nuevo dispositivo, toque **ADD NOW (AGREGAR AHORA)**.

Si no aparece el mensaje, toque el botón **+** y, en la lista de dispositivos disponibles, seleccione el dispositivo que desea conectar.

Si su dispositivo no se encuentra en la lista de dispositivos disponibles, toque **Supported Devices (Dispositivos admitidos)**, seleccione el tipo de dispositivo (Refrigerador) y luego el modelo del dispositivo específico.

Siga las instrucciones de la aplicación para configurar el dispositivo. Una vez completada la configuración, el refrigerador aparecerá como una "ficha" en la pantalla **Devices (Dispositivos)**.

Función de SmartThings

Control integrado

Puede supervisar y controlar su refrigerador en su casa y estando de viaje.


- Toque el icono del refrigerador en el panel de SmartThings o toque el icono de Dispositivos en la parte inferior del panel, y luego toque la "ficha" del refrigerador para abrir la página correspondiente.
- Controle el estado de operación o las notificaciones de su refrigerador y luego modifique las opciones o parámetros si fuera necesario.

NOTA

Algunas opciones o parámetros del refrigerador pueden no estar disponibles para el control remoto.



Ajustes del refrigerador

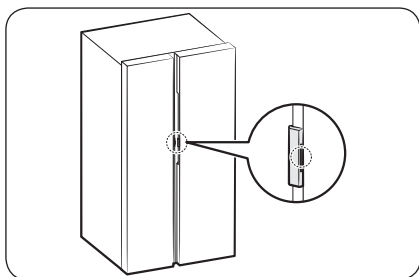
Categoría	Elemento	Descripción
Supervisión y control	Temperatura del Refrigerador	Puede configurar y controlar la temperatura deseada del refrigerador.
	Refrigeración rápida	Puede activar o desactivar Refrigeración rápida y ver la configuración actual.
	Temperatura del Congelador	Puede configurar y controlar la temperatura deseada del congelador.
	Congelación rápida	Puede activar o desactivar Congelación rápida y ver la configuración actual.
	Tiempo de Apertura automática de la puerta *	Puede establecer el tiempo que permanece abierta la puerta mediante la función Apertura automática de la puerta.
	Sonido de Apertura automática de la puerta *	Puede activar o desactivar el sonido que se escucha al usar la función de Apertura automática de la puerta.
	Fábrica de hielo *	Puede activar o desactivar la fábrica de hielo.
	Llenado automático de la jarra *	Puede activar o desactivar la función Llenado automático de la jarra y ver la configuración actual.
	Modo Shabat	Puede activar y desactivar el modo Shabat.
Alarmas	Temperatura anormalmente elevada	Esta alarma se dispara cuando la temperatura del refrigerador es demasiado elevada.
	Puerta abierta	Esta alarma se dispara si la puerta queda abierta durante un período específico.
	Desbordamiento de Llenado automático de la jarra *	Si la función Llenado automático de la jarra detecta un desbordamiento, se dispara esta alarma para avisar sobre dicho estado.
	Reemplazo del filtro de agua *	Esta alarma le recuerda que es necesario reemplazar el filtro de agua.
AI Energy Mode *	<p>Puede activar o desactivar AI Energy Mode desde el menú de Energía en la aplicación SmartThings.</p> <p>Puede verificar el estado de AI Energy Mode en la aplicación SmartThings.</p> <p>En algunos modelos, aparece el icono  en el panel principal para indicar que AI Energy Mode está activado. (solo para los modelos correspondientes)</p> <p>Al activar el AI Energy Mode disminuye el consumo de energía, pero también podría reducirse el desempeño del enfriamiento.</p>	

* solo para los modelos correspondientes

Funcionamiento

Funciones especiales

Función de apertura automática de la puerta (solo para los modelos correspondientes)



1. Toque el área donde está el sensor de la apertura automática de la puerta. La puerta se abre un poco.

NOTA

Por su seguridad, la Apertura automática de la puerta solo funciona en una puerta a la vez.

2. Cuando la puerta se abra un poco, sujete la manija y ábrala por completo.
 - La puerta no se cierra de manera automática. Círrrela manualmente luego del uso.

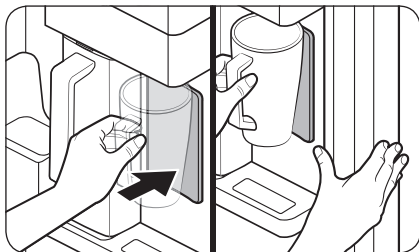
PRECAUCIÓN

- La función de Apertura automática de la puerta puede funcionar mal si se abre y se cierra la puerta repetidamente.
- No empuje la puerta ni la detenga por la fuerza cuando se está abriendo de manera automática. Puede causar un mal funcionamiento del producto.
- Si la puerta se resiste a abrirse después de abrirla repetidamente, espere alrededor de un minuto y vuelva a intentarlo. (Puede ser difícil abrir la puerta inmediatamente después de cerrarla debido al cambio de presión de aire dentro del refrigerador que ocurre al abrir y cerrar la puerta).
- La puerta podría abrirse al tocar accidentalmente el sensor; verifique que esté cerrada.

NOTA

Si la parte delantera del refrigerador está más baja que la parte trasera, es posible que la puerta no se cierre correctamente después de abrirla con la función de Automatic door opening (Apertura automática de la puerta). Con las patas niveladoras, ajuste la parte delantera de manera que quede más elevada que la parte trasera.

Centro de bebidas interno (solo para los modelos correspondientes)

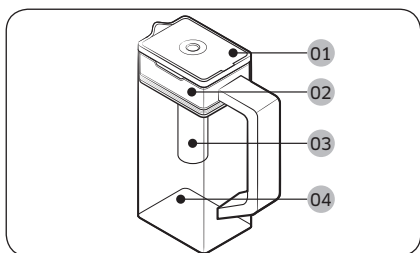


Abra la puerta del refrigerador. Verá el Llenado automático de la jarra y el dispensador de agua disponibles para su uso. Mantenga la puerta del refrigerador quieta cuando utilice el dispensador de agua o el Llenado automático de la jarra.



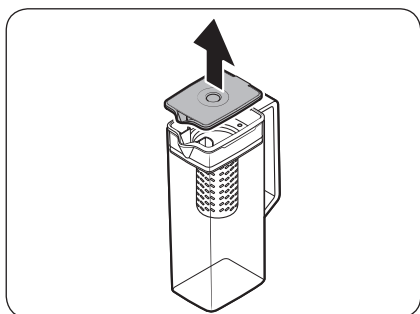
Jarra de agua (Llenado automático de la jarra) (solo para los modelos correspondientes)

Siempre hay agua fría y purificada disponible con la función Llenado automático de la jarra. Puede poner té o frutas en el infusor para disfrutar de las distintas infusiones de agua que desee.



- 01 Tapa
- 02 Soporte del infusor
- 03 Infusor
- 04 Cuerpo

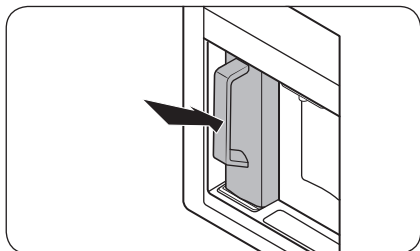
Para llenar la jarra de agua



1. Sujete una de las ranuras de la manija de la **tapa** y jale hacia arriba para abrir la **tapa**.
2. Coloque hojas de té o frutas a gusto en el infusor.

NOTA

Si desea mantener el agua de la infusión en su concentración inicial, desactive la función Llenado automático de la jarra.



3. Active la función Llenado automático de la jarra en el panel principal. Abra la puerta del refrigerador y, luego, inserte la jarra de agua en el soporte. Inserte la jarra de agua como se muestra en la figura.

PRECAUCIÓN

Asegúrese de que la jarra encaje en el soporte.

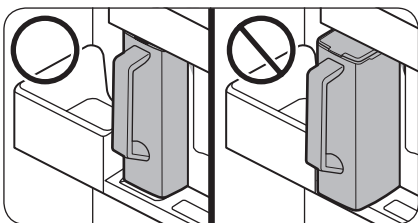
4. Cierre la puerta. La jarra comenzará a llenarse con agua fría poco después.



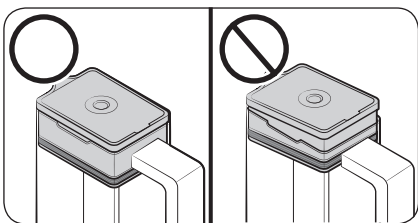
Funcionamiento

⚠ PRECAUCIÓN

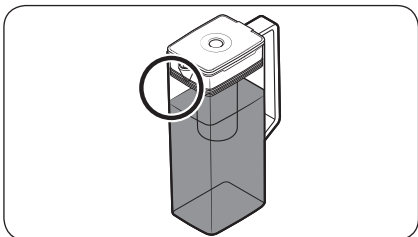
- Se recomienda consumir el agua infundada de frutos antes de que transcurran 24 horas. Después de este tiempo, el agua infundada podría echarse a perder.
- Debe limpiar la jarra después de consumir el agua infundada. Asimismo, limpie la jarra si no la ha utilizado durante un tiempo prolongado.



- Para evitar que la jarra se caiga o tenga fugas, asegúrese de que encaje bien en el soporte.

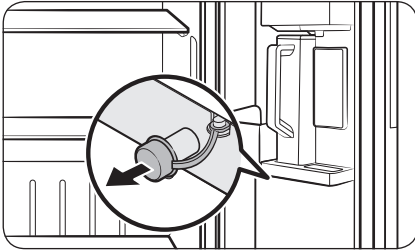


- Para evitar que la jarra se desborde o tenga fugas, asegúrese de que el soporte del infusor esté bien colocado.



📄 NOTA

- Si la parte delantera (área marcada específicamente) de la jarra de agua tiene mucha humedad, es posible que la jarra no se llene por completo. Quite la humedad e intente nuevamente.
- La función Llenado automático de la jarra detendrá el suministro de agua a la jarra si esta no se llena después de un determinado periodo. Si esto ocurriera, verifique que la tubería de agua esté bien conectada. Retire la jarra de agua, insértela nuevamente y vuelva a intentarlo.



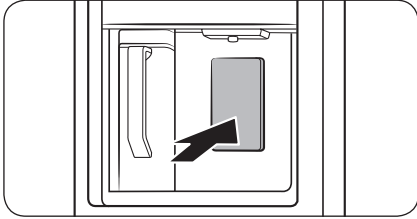
- Limpie el soporte si la jarra de agua se desbordó o tuvo fugas.
- Si la tapa de goma está abierta, caerá agua.
- En caso de fuga, el indicador de Llenado automático de la jarra parpadeará en el panel principal. En caso de fuga, abra la tapa de goma para que el agua drene. Si el indicador no deja de parpadear después del drenaje, es posible que haya una falla en el sistema. Comuníquese con el centro de servicio local de Samsung.

NOTA

- Debe limpiar la jarra después de consumir el agua infundada. También debe limpiar la jarra si no la ha usado por mucho tiempo o si la ha dejado llena durante más de tres días.
- Si el infusor no se limpia de forma adecuada, es posible que permanezca el aroma del té o las frutas que usó anteriormente. Si no va a utilizar el infusor, sepárelo de la jarra y guárdelo de forma segura.
- Si no ha utilizado el filtro de agua durante mucho tiempo, deseche las dos primeras jarras de agua. Luego, limpie bien la jarra y úsela.

Funcionamiento

Dispensador de agua (solo para los modelos correspondientes)



Para dispensar agua fría, abra la puerta del refrigerador y presione la palanca del dispensador.

NOTA

- El dispensador dejará de dispensar si se mantiene la palanca presionada durante aproximadamente 1 minuto. Para dispensar más agua, libere y presione la palanca nuevamente.
- Asegúrese de que el vaso esté alineado con el dispensador para evitar que el agua se derrame.
- Si no utiliza el dispensador de agua durante 2 o 3 días, el agua dispensada puede presentar un sabor u olor extraño. No se trata de una falla del sistema. Descarte los primeros 1 o 2 vasos de agua.

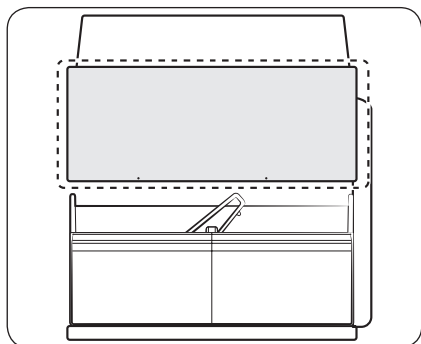
Turbidez del agua

El agua provista al refrigerador pasa por un filtro de centro alcalino. Durante el proceso de filtración, aumenta la presión del agua y esta se satura de oxígeno y nitrógeno. Esto hace que el agua parezca turbia temporalmente cuando se la sirve. Esto es normal y el agua aparecerá transparente después de unos segundos.

Fábrica de hielo (solo para los modelos correspondientes)

El refrigerador cuenta con una fábrica de hielo incorporada que dispensa hielo automáticamente.

- El diseño general y/o los accesorios pueden diferir dependiendo del modelo.
- La pala para hielo se suministra con el refrigerador.

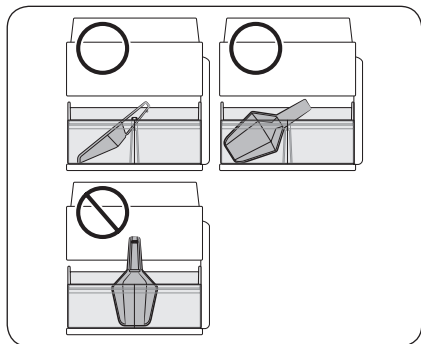


- Este producto dispone de dos tipos de fábricas de hielo.
- Puede simplemente deslizar hacia afuera la charola de la cubeta para usar el hielo y, luego, empujarla después del uso.

⚠ ADVERTENCIA

Peligro de asfixia: Los niños pequeños podrían asfixiarse con el hielo.

Dónde guardar la pala



Mantenga la pala para hielo en la parte frontal de la cubeta. Coloque la pala como se muestra en la figura, asegurándose de que no interfiera con el dispensador de hielo cuando se inserta la charola de la cubeta.

📄 NOTA

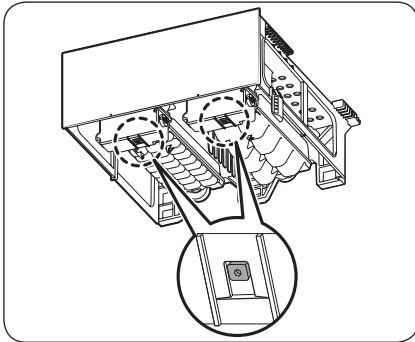
Si la charola de la cubeta no está completamente insertada, el hielo podría caer detrás (y fuera) de la cubeta o la fábrica de hielo podría dejar de producir hielo.

Para utilizarla por primera vez

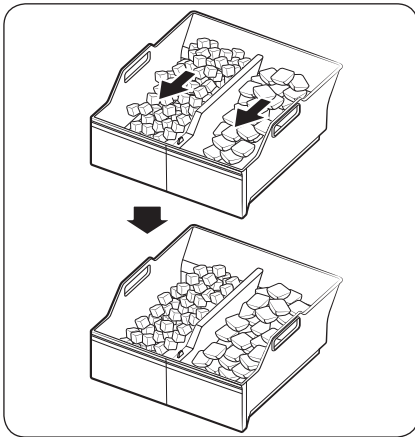
- Deje que la fábrica de hielo funcione durante 1 o 2 días.
- Descarte la primera y segunda cubeta de hielo para eliminar las impurezas del sistema de suministro de agua.

Funcionamiento

Diagnóstico



- El diseño general y/o los accesorios pueden diferir dependiendo del modelo.
- Si el hielo no sale, primero controle el estado de la fábrica de hielo con el botón **Test (Prueba)** que tiene en la parte inferior.
- Presione el botón **Test (Prueba)** en la parte inferior de la fábrica de hielo. Escuchará una señal sonora (campana) al presionar el botón. Escuchará otra señal sonora si la fábrica de hielo funciona correctamente.



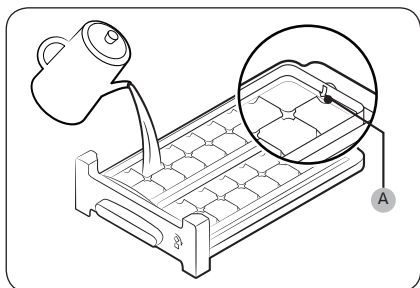
- La acumulación de hielo en un lado de la charola es normal. Distribuya el hielo de la charola de manera uniforme para almacenar más hielo.

⚠ PRECAUCIÓN

- Dejar la tubería de agua desconectada puede causar que, con el tiempo, la válvula de agua emita un zumbido. Si esto ocurre, asegúrese de desactivar la función de fabricación de hielo.
- Si la señal sonora de fabricación de hielo suena repetidamente, comuníquese con el instalador de la tubería de agua o un centro de servicios local de Samsung.
- No ponga alimentos en la cubeta de hielo. Los alimentos congelados pueden dañar la fábrica de hielo, en especial al abrir o cerrar la puerta.
- Cuando el refrigerador recupera el suministro eléctrico después de un corte, la cubeta de hielo puede contener una mezcla de cubos de hielo derretidos y pegados, lo que puede evitar que la fábrica de hielo funcione adecuadamente. Para evitar que esto suceda, asegúrese de vaciar la cubeta de hielo antes de utilizar el refrigerador.
- No coloque los dedos ni otros objetos en la fábrica de hielo. Es posible que provoque lesiones o daños materiales.

- Debido a la sublimación, el hielo almacenado en el congelador durante mucho tiempo reduce su tamaño y forma grandes trozos de hielo. Por lo tanto, si no se utiliza por un tiempo prolongado, apague la fábrica de hielo y vacíe la cubeta.

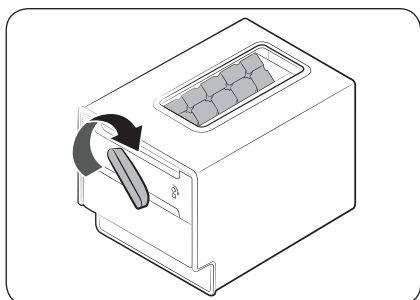
Fábrica de hielo de giro (solo para los modelos correspondientes)



1. Abra la puerta del congelador y deslice la charola para el hielo.
2. Llene la charola con agua hasta el nivel máximo (A) marcado en la posterior interna de la charola.
3. Coloque nuevamente la charola en su posición.

NOTA

El tiempo de fabricación de hielo depende de la configuración de la temperatura.

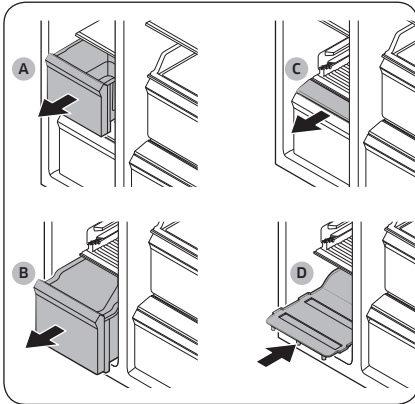


NOTA

- Asegúrese de que el depósito de cubos de hielo esté en su lugar debajo de la charola para hielo.
- Para servir cubos de hielo, gire la manija del compartimiento hacia la derecha a fin de colocar la mitad de los cubos de hielo en el compartimiento. Luego, gírela hacia la izquierda para vaciar la otra mitad.
- Gire y jale levemente hacia el frente para retirar el compartimiento.

Funcionamiento

Para garantizar más espacio de almacenamiento (solo para los modelos correspondientes)



Para garantizar más espacio, retire el **cajón superior (A)**, el **cajón inferior (B)** y la **cubierta del cajón inferior (C)**. Luego, inserte el **estante inferior (D)** provisto.

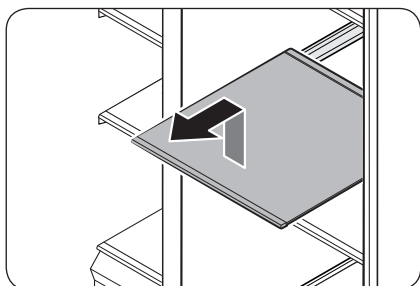
NOTA

- La retirada de los cajones no afecta a la temperatura ni al uso del congelador.
- El volumen declarado del congelador se mide con el estante inferior, luego de retirar el cajón superior, el cajón inferior y la cubierta del cajón inferior.

Mantenimiento

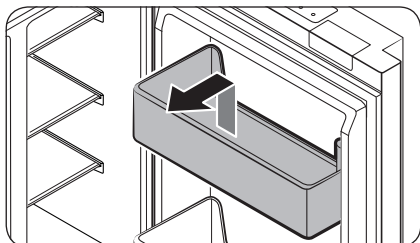
Manipulación y cuidado

Estantes (refrigerador/congelador)



Jale el estante hacia afuera hasta donde llegue. Luego levántelo y retírelo.

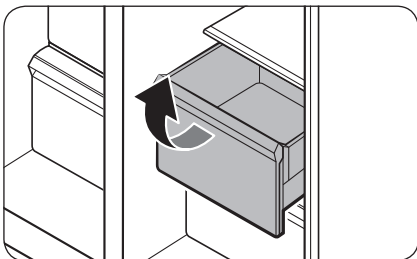
Compartimientos de las puertas



Para retirar un compartimiento de la puerta, sosténgalo por ambos lados y elévelo suavemente para retirarlo.

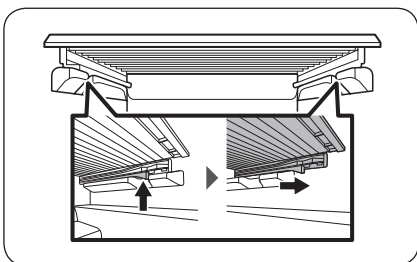
Mantenimiento

Cajones



Para retirar, jale lo más posible los cajones hacia fuera y luego levántelos suavemente para quitarlos.

Cubierta del cajón



Jale de la cubierta del cajón mientras empuja los ganchos de la derecha e izquierda debajo de esta para retirarla.

Cubeta de la fábrica de hielo (solo para los modelos correspondientes)

Si no usa el hielo durante un período prolongado, puede apelmazarse en la cubeta. Si esto ocurriera, retire y vacíe la cubeta de hielo.

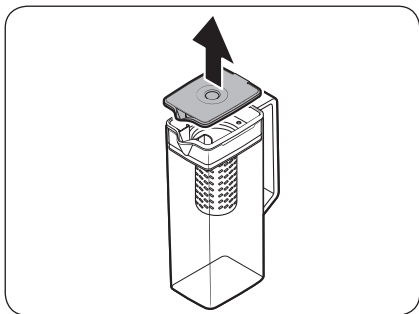
⚠ PRECAUCIÓN

- Para evitar lesiones, asegúrese de limpiar el hielo o el agua que pueda haber caído en el suelo.
- A fin de evitar lesiones o accidentes, no permita que los niños jueguen con el dispensador de agua ni la fábrica de hielo.
- Utilice únicamente la cubeta de hielo provista. Las cubetas de hielo de terceros pueden provocar una falla del sistema.

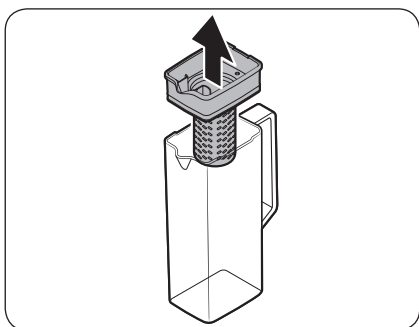
📖 NOTA

Los ruidos de la fábrica de hielo durante el proceso de fabricación son normales.

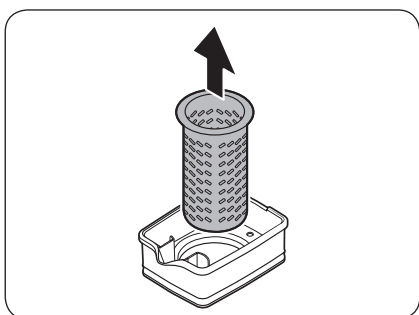
Llenado automático de la jarra (solo para los modelos correspondientes)



1. Sujete una de las ranuras de la manija de la tapa y jale hacia arriba para retirar.



2. Sujete ambos lados del soporte del infusor y levántelo para retirarlo.



3. Quite el infusor de la boca sellada girándolo ligeramente.
4. Limpie el infusor con agentes neutros y agua corriente. Enjuague y seque bien.
5. Vuelva a ensamblar la jarra de llenado automático en el orden inverso al del desensamble.

⚠ PRECAUCIÓN

La jarra de agua y la tapa no son aptas para microondas y pueden derretirse o deformarse si se exponen al calor (incluida el agua caliente). Debe lavarlas a mano con agua fría o tibia según sea necesario.

Mantenimiento

Limpieza

Interior y exterior

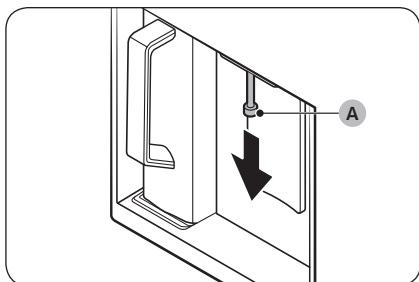
⚠ ADVERTENCIA

- No utilice benceno, solvente ni detergente para automóvil/hogar como Clorox™ para limpiar. Pueden dañar la superficie del refrigerador y provocar un incendio.
- No rocíe agua sobre el refrigerador. Puede provocar una descarga eléctrica.

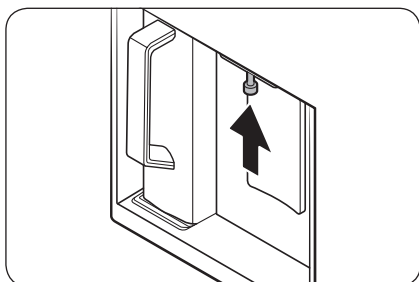
Utilice un paño seco regularmente para retirar cualquier sustancia extraña como polvo o agua de las terminales del enchufe de alimentación y los puntos de contacto.

1. Desenchufe el cable de alimentación.
2. Utilice un paño húmedo que no deje pelusa o una toalla de papel para limpiar el interior y el exterior del refrigerador.
3. Al terminar, utilice un paño seco o toalla de papel para secarlo bien.
4. Enchufe el cable de alimentación.

Boquilla del dispensador (solo para los modelos correspondientes)



1. Sujete el extremo de la boquilla del dispensador (A).
2. Mientras gira la boquilla del dispensador (A) hacia la izquierda, júlela hacia abajo para retirarla del dispensador.



3. Limpie bien la boquilla y, luego, vuelva a colocarla.

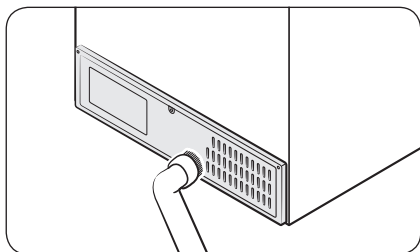
⚠ PRECAUCIÓN

- Inserte por completo la boquilla del dispensador para que vuelva a su posición original.
- No utilice esponjas con texturas ásperas para limpiar la boquilla del dispensador.

Burletes de goma

En caso de que los burletes de goma de una puerta se ensucien, es posible que la puerta no cierre bien y el refrigerador disminuya su rendimiento y eficacia. Utilice un detergente suave y un paño húmedo para limpiar los burletes de goma. Luego, séquelos bien con un paño.

Panel posterior



Para mantener los cables y las partes expuestas del panel posterior libres de polvo, aspire el panel una o dos veces al año.

PRECAUCIÓN

No retire la cubierta del panel posterior. Podría producirse una descarga eléctrica.

Mantenimiento

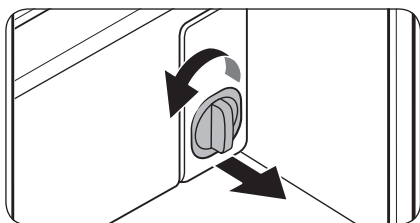
Reemplazo

Filtro de agua (solo para los modelos correspondientes)

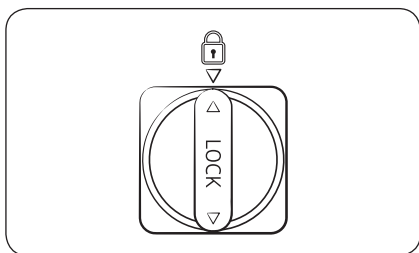
⚠ ADVERTENCIA

- No utilice filtros de agua de terceros. Utilice únicamente filtros provistos o aprobados por Samsung.
- Los filtros no aprobados pueden provocar pérdidas y daños al refrigerador y descargas eléctricas. Samsung no se hace responsable por los daños que puedan generarse a partir del uso de filtros de terceros.

El indicador de Restablecer filtro (**Filter**) se pone rojo para recordarle que es momento de cambiar el filtro. Antes de reemplazar el filtro, asegúrese de que la tubería de agua esté cerrada.



1. Cierre la tubería de suministro de agua.
2. Gire la perilla del cartucho del filtro en el sentido contrario a las agujas del reloj unos 90 grados (giro de 1/4). El cartucho del filtro se desatorna.
3. Tire para retirar el cartucho.
 - Si el filtro de agua estuviera muy contaminado, es posible que el cartucho no pueda retirarse fácilmente. En dicho caso, retírelo por la fuerza.
 - A fin de evitar pérdidas de agua a través de la abertura del filtro, jale el cartucho en línea recta al retirarlo.
4. Inserte un nuevo cartucho de filtro. Utilice únicamente filtros provistos o aprobados por Samsung.



5. Gire la perilla del filtro en el sentido de las agujas del reloj para trabarlo en su posición.
6. Mantenga **Ice Maker (Fábrica de hielo)** presionado en el panel principal durante 3 segundos para restablecer el detector de ciclo de vida útil. El indicador de Restablecer filtro (**Filter**) se apagará.
7. Al finalizar el reemplazo del filtro, abra la válvula de agua y deje correr el agua por el dispensador durante unos 7 minutos. De esta forma se eliminan las impurezas y el aire de la tubería de agua.

📖 NOTA

- Los filtros nuevos pueden hacer que brote agua del dispensador brevemente. Esto se debe al ingreso de aire en la tubería de agua.



- El proceso de reemplazo puede hacer que el dispensador de agua gotee por un período breve. Si gotea, simplemente limpie el agua del piso con una toalla seca.

Sistema de filtración por ósmosis inversa

La presión de agua del sistema de suministro hacia un sistema de filtrado por ósmosis inversa debe ser de entre 30 y 125 psi (206 y 862 kPa).

La presión de agua del sistema de filtración por ósmosis inversa a la tubería de agua fría del refrigerador debe ser de al menos 30 psi (206 kPa). Si la presión de agua estuviera por debajo de estas especificaciones:

- Verifique si el filtro de sedimentos en el sistema de ósmosis inversa está bloqueado. Reemplace el filtro si fuera necesario.
- Llene nuevamente de agua el tanque de agua del sistema de ósmosis inversa.
- Si el refrigerador cuenta con un filtro de agua, es posible que la presión de agua disminuya aún más al usarlo con un sistema de ósmosis inversa. Retire el filtro de agua.

Para obtener más información sobre el mantenimiento, comuníquese con un plomero profesional.

Pedir un filtro nuevo

Para comprar un nuevo filtro de agua, comuníquese con un centro de servicios Samsung local.

Lámparas de LED

Para reemplazar las lámparas del refrigerador, comuníquese con un centro de servicios Samsung local.

ADVERTENCIA

- El usuario no debe reemplazar las lámparas. No intente reemplazar la lámpara usted mismo. Puede provocar una descarga eléctrica.

Panel de la puerta (solo para los modelos correspondientes)

NOTA

En algunos países, puede no venderse el panel de la puerta por separado.

Puede seleccionar el panel de la puerta que prefiera para su refrigerador BESPOKE. Adquiera el panel de la puerta en una tienda Samsung y un instalador autorizado lo instalará.

PRECAUCIÓN

- Si desensambla o ensambla el panel de la puerta usted mismo, puede provocar daños al producto o sufrir lesiones personales. Si tiene algún problema con el panel de la puerta, contacte a un centro de servicios de Samsung.
- Es posible que se le cobre una tarifa por el servicio de reemplazo del panel incluso dentro del período de garantía.

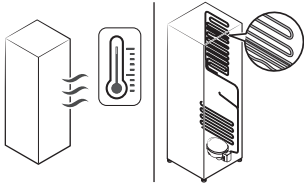


Solución de problemas

Antes de solicitar servicio técnico revise los siguientes puntos de verificación. En el caso de solicitudes de servicio para situaciones normales (cuando no existe ningún defecto), se exigirá un cargo a los usuarios.

General

Temperatura

Síntoma	Causas posibles	Solución
<p>El refrigerador/ congelador no funciona.</p> <p>La temperatura del refrigerador/ congelador es elevada.</p>	<ul style="list-style-type: none"> El cable de alimentación no está conectado correctamente. 	<ul style="list-style-type: none"> Enchufe correctamente el cable de alimentación.
	<ul style="list-style-type: none"> El control de temperatura no está configurado correctamente. 	<ul style="list-style-type: none"> Baje la temperatura.
	<ul style="list-style-type: none"> El refrigerador está ubicado cerca de una fuente de calor o expuesto a la luz solar directa. 	<ul style="list-style-type: none"> Mantenga el refrigerador alejado de la luz solar directa o de las fuentes de calor.
	<ul style="list-style-type: none"> No hay espacio suficiente entre el refrigerador y las paredes o gabinetes cercanos. 	<ul style="list-style-type: none"> Recomendamos que el espacio entre el refrigerador y las paredes o los gabinetes cercanos sea superior a 50 mm.
<ul style="list-style-type: none"> El refrigerador está demasiado lleno. Los alimentos bloquean las rejillas de ventilación del refrigerador. 	<ul style="list-style-type: none"> No sobrecargue el refrigerador. Evite que los alimentos bloqueen la ventilación. 	
<p>El refrigerador/ congelador enfría demasiado.</p>	<ul style="list-style-type: none"> El control de temperatura no está configurado correctamente. 	<ul style="list-style-type: none"> Eleve la temperatura.
<p>La pared interna está caliente.</p>	<ul style="list-style-type: none"> El refrigerador cuenta con tuberías a prueba de calor en la pared interna. 	<ul style="list-style-type: none"> A fin de evitar que se forme condensación, el refrigerador cuenta con tuberías a prueba de calor en los ángulos frontales. Si la temperatura aumenta, es posible que el equipo no funcione eficazmente. No se trata de una falla del sistema. 



Olores

Síntoma	Causas posibles	Solución
El refrigerador huele mal.	<ul style="list-style-type: none"> Alimentos descompuestos. 	<ul style="list-style-type: none"> Limpie el refrigerador y retire los alimentos descompuestos.
	<ul style="list-style-type: none"> Alimentos con olores fuertes. 	<ul style="list-style-type: none"> Asegúrese de que los alimentos con olores fuertes estén envueltos al vacío.

Escarcha

Síntoma	Causas posibles	Solución
Escarcha alrededor de las rejillas de ventilación.	<ul style="list-style-type: none"> Los alimentos bloquean las rejillas de ventilación. 	<ul style="list-style-type: none"> Asegúrese de que ningún alimento bloquee las rejillas de ventilación del refrigerador.
Escarcha en las paredes internas.	<ul style="list-style-type: none"> La puerta está mal cerrada. 	<ul style="list-style-type: none"> Asegúrese de que ningún alimento bloquee la puerta. Limpie las juntas de la puerta.

Condensación

Síntoma	Causas posibles	Solución
Se forma condensación en las paredes internas.	<ul style="list-style-type: none"> Si se deja la puerta abierta, entra humedad en el refrigerador. 	<ul style="list-style-type: none"> Retire la humedad y no deje una puerta abierta durante períodos prolongados.
	<ul style="list-style-type: none"> Alimentos con elevado contenido de humedad. 	<ul style="list-style-type: none"> Asegúrese de que los alimentos estén envueltos al vacío.

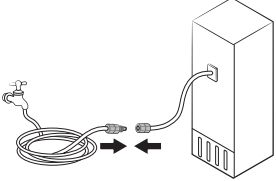
Baja producción de hielo

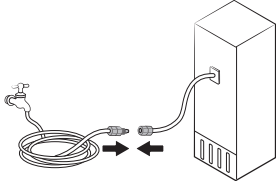
Síntoma	Causas posibles	Solución
Baja producción de hielo.	<ul style="list-style-type: none"> La sección del congelador está sobrecargada con alimentos congelados. Estos bloquean el conducto de aire. 	<ul style="list-style-type: none"> Asegúrese de que los alimentos no bloqueen las rejillas de ventilación ya que pueden obstruir la libre circulación de aire en el congelador.



Solución de problemas

Agua/hielo (solo para modelos con dispensador)

Síntoma	Causas posibles	Solución
Sale menos agua de lo normal.	<ul style="list-style-type: none"> La presión del agua es demasiado baja. 	<ul style="list-style-type: none"> Asegúrese de que la presión del agua esté entre 30 y 125 psi (206 y 862 kPa).
La fábrica de hielo emite un zumbido.	<ul style="list-style-type: none"> La función de fabricación de hielo está activada, pero el suministro de agua al refrigerador no está conectado. 	<ul style="list-style-type: none"> Active la fábrica de hielo desactivada.
La fábrica de hielo no hace hielo.	<ul style="list-style-type: none"> La fábrica de hielo está recién instalada. 	<ul style="list-style-type: none"> Debe esperar 12 horas para que el refrigerador haga hielo.
	<ul style="list-style-type: none"> La temperatura del congelador es demasiado alta. 	<ul style="list-style-type: none"> Configure la temperatura del congelador por debajo de -18 °C (0 °F) o -20 °C (-4 °F) en ambientes cálidos.
	<ul style="list-style-type: none"> Fábrica de hielo desactivada. 	<ul style="list-style-type: none"> Encienda la fábrica de hielo.
No se dispensa hielo.	<ul style="list-style-type: none"> El hielo puede atascarse si el dispensador de hielo no se utiliza durante un periodo largo de tiempo (aproximadamente 3 semanas). 	<ul style="list-style-type: none"> Si no utilizará el refrigerador por un periodo de tiempo prolongado, vacíe la cubeta de hielo y apague la fábrica de hielo.
	<ul style="list-style-type: none"> La cubeta de hielo no está insertada correctamente. 	<ul style="list-style-type: none"> Asegúrese de que la cubeta de hielo esté insertada por completo.
	<ul style="list-style-type: none"> La tubería de agua no está conectada correctamente o el suministro de agua está cerrado. 	<ul style="list-style-type: none"> Verifique que la tubería de agua esté instalada correctamente. Verifique que la llave de paso de la tubería de agua no esté cerrada. 

Síntoma	Causas posibles	Solución
No se dispensa agua.	<ul style="list-style-type: none"> La tubería de agua no está conectada correctamente o el suministro de agua está cerrado. 	<ul style="list-style-type: none"> Verifique que la tubería de agua esté instalada correctamente. Verifique que la llave de paso de la tubería de agua no esté cerrada. 
	<ul style="list-style-type: none"> Se instaló un filtro de agua de terceros. 	<ul style="list-style-type: none"> Utilice únicamente filtros provistos o aprobados por Samsung. Los filtros no aprobados pueden provocar fugas y daños al refrigerador.
	<ul style="list-style-type: none"> El indicador de Restablecer filtro se enciende o parpadea. 	<ul style="list-style-type: none"> Reemplace el filtro de agua. Luego de reemplazarlo, restablezca el indicador de Restablecer filtro.

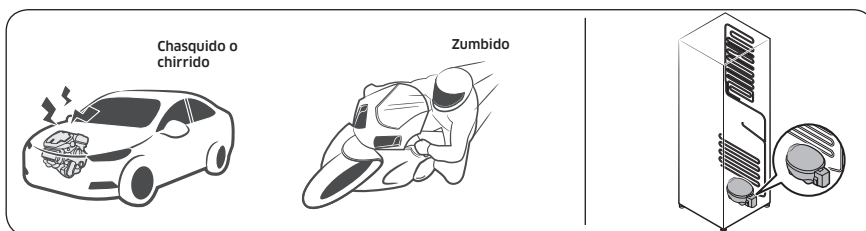
Solución de problemas

¿Se oyen ruidos anómalos procedentes del refrigerador?

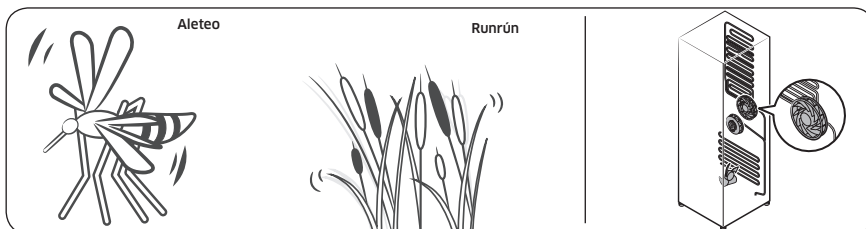
Antes de solicitar servicio técnico revise los siguientes puntos de verificación. En el caso de solicitudes de servicio relacionado con ruidos normales se exigirá un cargo al usuario.

Dichos ruidos son normales.

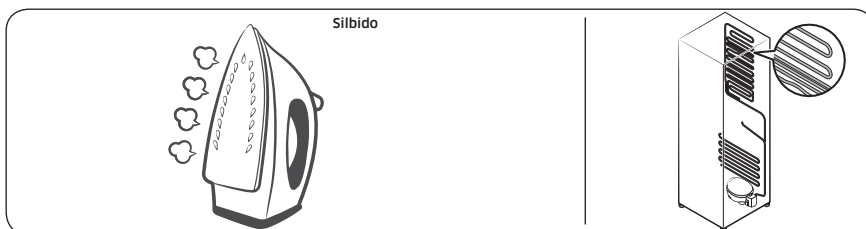
- Cuando se inicia o finaliza una operación, el refrigerador puede emitir unos sonidos similares al encendido del motor de un auto. Cuando la operación se estabiliza, el ruido disminuye.



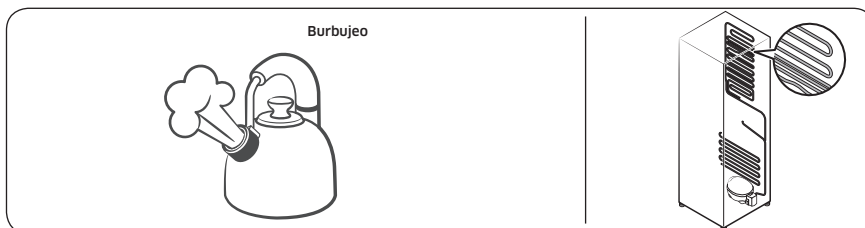
- Cuando el ventilador está en funcionamiento puede producir algunos ruidos. Cuando el refrigerador alcanza la temperatura establecida, el ventilador deja de producir ruidos.



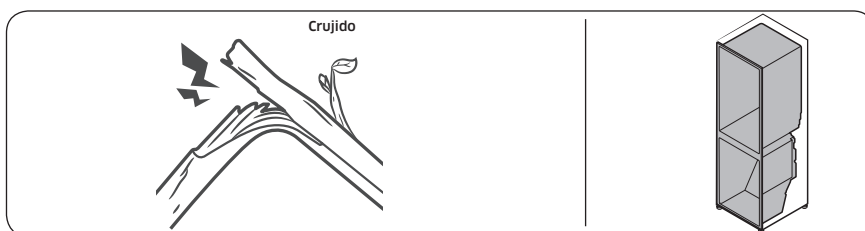
- Durante un ciclo de descongelación, pueden caer gotas de agua sobre el calefactor y producen ruidos de chisporroteo.



- Cuando el refrigerador enfría o congela, el gas refrigerante circula por las tuberías selladas y produce ruidos de burbujas.




- Cuando la temperatura del refrigerador aumenta o disminuye, las partes plásticas se contraen y se expanden y producen ruidos de golpeteo. Dichos ruidos se producen durante el ciclo de descongelación o cuando las piezas electrónicas están funcionando.



- Para modelos con fábrica de hielo: Cuando la válvula de agua se abre para llenar la fábrica de hielo, pueden emitirse unos zumbidos.
- Debido a la eequalización de la presión cuando se abre y cierra la puerta, pueden producirse sonidos silbantes.

Solución de problemas

SmartThings (solo para los modelos correspondientes)

Síntoma	Acción
No se encuentra "SmartThings" en el mercado de aplicaciones.	<ul style="list-style-type: none">La versión de software de soporte de la aplicación SmartThings está sujeta a cambios de acuerdo con la política de soporte del sistema operativo que proporciona el fabricante. Además, en cuanto a la aplicación SmartThings o las funciones que admite la aplicación, la nueva política de actualización de la aplicación en la versión del sistema operativo existente puede suspenderse por razones de seguridad o de usabilidad.
La aplicación SmartThings no funciona.	<ul style="list-style-type: none">La aplicación SmartThings está disponible únicamente para los modelos correspondientes.La aplicación Samsung Smart Refrigerator antigua no puede conectarse con los modelos Samsung Smart Home.
La aplicación SmartThings está instalada pero no se conecta a mi refrigerador.	<ul style="list-style-type: none">Debe iniciar una sesión con su cuenta Samsung para utilizar la aplicación.Asegúrese de que su enrutador funcione normalmente.Si no conectó el refrigerador a la aplicación SmartThings luego de instalar esta, debe establecer la conexión con la función de registro del dispositivo de la aplicación.
No se puede iniciar una sesión en la aplicación.	<ul style="list-style-type: none">Debe iniciar una sesión con su cuenta Samsung para utilizar la aplicación.Si no tiene una cuenta Samsung, siga las instrucciones en pantalla de la aplicación para crear una.
Cuando trato de registrar mi refrigerador aparece un mensaje de error.	<ul style="list-style-type: none">Easy Connection puede fallar como resultado de la distancia con respecto al punto de acceso (PA) o una interferencia eléctrica del entorno circundante. Espere un momento e inténtelo nuevamente.
La aplicación SmartThings está conectada correctamente a mi refrigerador pero no funciona.	<ul style="list-style-type: none">Salga y reinicie la aplicación SmartThings o desconecte el enrutador y conéctelo nuevamente.Desconecte el cable de alimentación del refrigerador y enchúfelo nuevamente después de 1 minuto.
El icono de Wi-Fi parpadea. ()	<ul style="list-style-type: none">Conecte el refrigerador a la aplicación SmartThings antes de usarlo. Una vez realizada la conexión, el indicador deja de parpadear.<ul style="list-style-type: none">Si la conexión falla o si usted no desea usar la aplicación, mantenga presionado el botón Lock (Bloqueo) durante 10 segundos. El indicador deja de parpadear y se muestra "OFF" en el visor de temperatura.

Open Source Announcement

The software included in this product contains open source software.

The following URL http://opensource.samsung.com/opensource/SMART_TP1_0/seq/0 leads to open source license information as related to this product.



Contacte a SAMSUNG WORLD WIDE

Si tiene preguntas o comentarios relacionados con los productos Samsung, póngase en contacto con el Servicio de Atención al Cliente de SAMSUNG.

País	Centro de contacto	Sitio web
COSTA RICA	00-800-1-SAMSUNG (726-7864)	www.samsung.com/latin/support (Spanish) www.samsung.com/latin_en/support (English)
DOMINICAN REPUBLIC	1-800-751-2676	www.samsung.com/latin/support (Spanish) www.samsung.com/latin_en/support (English)
ECUADOR	1-800-SAMSUN (72-6786)	www.samsung.com/latin/support (Spanish) www.samsung.com/latin_en/support (English)
EL SALVADOR	8000-SAMSUNG (726-7864)	www.samsung.com/latin/support (Spanish) www.samsung.com/latin_en/support (English)
GUATEMALA	1-800-299-0033	www.samsung.com/latin/support (Spanish) www.samsung.com/latin_en/support (English)
HONDURAS	800-2791-9111	www.samsung.com/latin/support (Spanish) www.samsung.com/latin_en/support (English)
JAMAICA	1-800-SAMSUNG (726-7864)	www.samsung.com/latin_en/support (English)
NICARAGUA	001-800-5077267	www.samsung.com/latin/support (Spanish) www.samsung.com/latin_en/support (English)
PANAMA	800-0101	www.samsung.com/latin/support (Spanish) www.samsung.com/latin_en/support (English)
PUERTO RICO	1-800-682-3180	www.samsung.com/latin/support (Spanish) www.samsung.com/latin_en/support (English)
TRINIDAD & TOBAGO	1-800-SAMSUNG(726-7864)	www.samsung.com/latin/support (Spanish) www.samsung.com/latin_en/support (English)
VENEZUELA	0-800-100-5303	www.samsung.com/latin/support (Spanish) www.samsung.com/latin_en/support (English)



DA68-04565A-00