

# SAMSUNG

## USER MANUAL

Thank you for purchasing this Samsung product.  
To receive more complete service, please register your product at [www.samsung.com](http://www.samsung.com)  
Model \_\_\_\_\_ Serial No. \_\_\_\_\_

Figures and illustrations in this User Manual are provided for reference only and may differ from the actual product appearance.  
Product design and specifications may change without notice.

### Contact SAMSUNG WORLD WIDE

If you have any questions or comments relating to Samsung products, please contact the Samsung service center.

Country	Samsung Service Center	Web Site
ARGENTINA	0800-555-SAMS(7267)	<a href="http://www.samsung.com/ar">www.samsung.com/ar</a>
URUGUAY	0800-SAMS(7267)	<a href="http://www.samsung.com/uy">www.samsung.com/uy</a>
PARAGUAY	0800-11-SAMS(7267)	<a href="http://www.samsung.com/py">www.samsung.com/py</a>
CHILE	800 726 786	
BOLIVIA	800 107 260	<a href="http://www.samsung.com/cl/support">www.samsung.com/cl/support</a>
	Bogotá en el 600 12 72 Sin costo en todo el país 01 8000 112 112 Y desde tu celular #726	
COLOMBIA	00-800-1-SAMSUNG (726-7864)	<a href="http://www.samsung.com/co/support">www.samsung.com/co/support</a>
COSTA RICA		
DOMINICAN REPUBLIC	1-800-751-2676	
ECUADOR	1-800-SAMSUNG (72-6786)	<a href="http://www.samsung.com/latin/support">www.samsung.com/latin/support</a> (Spanish)
EL SALVADOR	8000-SAMSUNG (726-7864)	<a href="http://www.samsung.com/latin_en/support">www.samsung.com/latin_en/support</a> (English)
GUATEMALA	1-800-299-0033	
HONDURAS	800-2791-9111	
JAMAICA	1-800-SAMSUNG (726-7864)	<a href="http://www.samsung.com/latin_en/support">www.samsung.com/latin_en/support</a> (English)
NICARAGUA	001-800-5077267	<a href="http://www.samsung.com/latin/support">www.samsung.com/latin/support</a> (Spanish)
PANAMA	800-0101	<a href="http://www.samsung.com/latin_en/support">www.samsung.com/latin_en/support</a> (English)
PERU	080077708 Desde teléfonos fijos, públicos o celulares	<a href="http://www.samsung.com/pe/support">www.samsung.com/pe/support</a>
PUERTO RICO	1-800-682-3180	<a href="http://www.samsung.com/latin/support">www.samsung.com/latin/support</a> (Spanish)
TRINIDAD & TOBAGO	1-800-SAMSUNG(726-7864)	<a href="http://www.samsung.com/latin_en/support">www.samsung.com/latin_en/support</a> (English)
VENEZUELA	0-800-100-5303	



© 2022 Samsung Electronics Co., Ltd. All rights reserved.

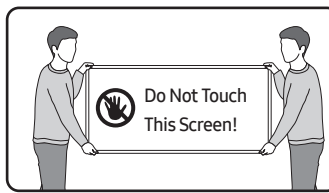
BN68-14491A-02

### Fabric cleaning

- Immediately remove any dirt or stain on the product surface.
  - Removing and cleaning can be less effective for some substances or if left for a prolonged time.
- Use a vacuum cleaner or an adhesive lint roller to remove dust, handprints, and the likes.
  - Some cleaning brushes may damage the product, depending on the materials they contain.
  - Towels and cleaning clothes may leave lint or dirt on the product.
- Periodically remove dust, even if the surface is not contaminated or stained.
  - Dust adhered to the surface for a prolonged period of time may cause stains.
- Do not use a nail or other tools to scratch the dirt off. It may damage the fabric.
- To remove oil or liquid stains, use a clean white cloth wet with water. If the stain persists, wipe it with a cloth and a mixture of water and neutral detergent (such as dish soap).
  - A non-neutral detergent or cleaner may cause discoloration or fabric damage.
  - After cleaning, use a dry cloth or hairdryer to dry the area.
  - Do not use excessive force, to avoid discoloration or fabric damage.



The screen can be damaged from direct pressure when handled incorrectly. As shown in the figure, make sure to grip the edges of the screen when you lift the TV.



## Before Reading This User Manual

This TV comes with this User Manual and an embedded e-Manual (Ⓜ) > Menu > Settings > Support > Open e-Manual.

On the website ([www.samsung.com](http://www.samsung.com)), you can download the manuals and see its contents on your PC or mobile device.

## Warning! Important Safety Instructions

Please read the Safety Instructions before using your TV. Refer to the table below for an explanation of symbols which may be on your Samsung product.

CAUTION	
RISK OF ELECTRIC SHOCK. DO NOT OPEN.	
CAUTION: TO REDUCE THE RISK OF ELECTRIC SHOCK, DO NOT REMOVE COVER (OR BACK). THERE ARE NO USER SERVICEABLE PARTS INSIDE. REFER ALL SERVICING TO QUALIFIED PERSONNEL.	
	This symbol indicates that high voltage is present inside. It is dangerous to make any kind of contact with any internal part of this product.
	This symbol indicates that this product has included important literature concerning operation and maintenance.
	Class II product: This symbol indicates that a safety connection to electrical earth (ground) is not required. If this symbol is not present on a product with a power cord, the product MUST have a reliable connection to protective earth (ground).
	AC voltage: Rated voltage marked with this symbol is AC voltage.
	DC voltage: Rated voltage marked with this symbol is DC voltage.
	Caution. Consult instructions for use: This symbol instructs the user to consult the user manual for further safety related information.

## Power

- Do not overload wall outlets, extension cords, or adaptors beyond their voltage and capacity. It may cause fire or electric shock. Refer to the power specifications section of the manual and/or the power supply label on the product for voltage and amperage information.
- Power-supply cords should be placed so that they are not likely to be walked on or pinched by items placed upon or against them. Pay particular attention to cords at the plug end, at wall outlets, and at the point where they exit from the appliance.
- Never insert anything metallic into the open parts of this apparatus. This may cause electric shock.
- To avoid electric shock, never touch the inside of this apparatus. Only a qualified technician should open this apparatus.
- Be sure to plug in the power cord until it is firmly seated. When unplugging the power cord from a wall outlet, always pull on the power cord's plug. Never unplug it by pulling on the power cord. Do not touch the power cord with wet hands.
- If this apparatus does not operate normally - in particular, if there are any unusual sounds or smells coming from it - unplug it immediately and contact an authorized dealer or Samsung service center.
- To protect this apparatus from a lightning storm, or to leave it unattended and unused for a long time, be sure to unplug it from the wall outlet and disconnect the antenna or cable system.
  - Accumulated dust can cause an electric shock, an electric leakage, or a fire by causing the power cord to generate sparks and heat or by causing the insulation to deteriorate.
- Use only a properly grounded plug and wall outlet.
  - An improper ground may cause electric shock or equipment damage. (Class I Equipment only.)
- To turn off this apparatus completely, disconnect it from the wall outlet. To ensure you can unplug this apparatus quickly if necessary, make sure that the wall outlet and power plug are readily accessible.

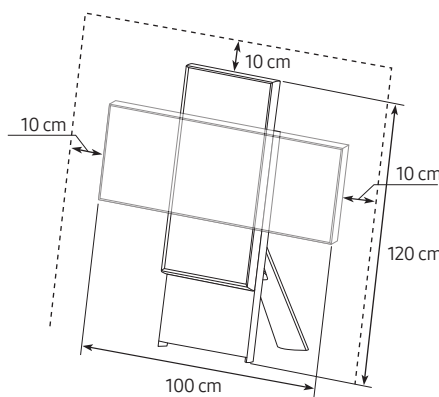
## Installation

- Do not place this apparatus near or over a radiator or heat register, or where it is exposed to direct sunlight.
- Do not place vessels (vases etc.) containing water on this apparatus, as this can result in a fire or electric shock.
- Do not expose this apparatus to rain or moisture.
- Be sure to contact an authorized Samsung service center for information if you intend to install your TV in a location with heavy dust, high or low temperatures, high humidity, chemical substances, or where it will operate 24 hours a day such as in an airport, a train station, etc. Failure to do so may lead to serious damage to your TV.
- Do not expose this apparatus to dripping or splashing.

### Providing proper ventilation for your TV

Leave a space around the product for ventilation. Failing to maintain proper ventilation may result in a fire or a problem with the product caused by an increase in its internal temperature. For installation, be sure to secure the spaces as shown in the figure.

- When you install your TV with a stand, we strongly recommend you use parts provided by Samsung Electronics only. Using parts provided by another manufacturer may cause difficulties with the product or result in injury caused by the product falling.



### How to turn on and off the Microphone



You can turn on or off the microphone by using the switch at the bottom of the TV. If microphone is turned off, All voice and sound features using microphone are not available.

- The position and shape of the microphone switch may differ depending on the model.
- During analysis using data from the microphone, the data is not saved.

## 03 Troubleshooting and Maintenance

### Troubleshooting

For more information, refer to "Troubleshooting" or "FAQ" in the e-Manual.

Ⓜ > Menu > Settings > Support > Open e-Manual > Troubleshooting or FAQ

If none of the troubleshooting tips apply, please visit "www.samsung.com" and click Support or contact the Samsung service center.

- This TFT LED panel is made up of sub pixels which require sophisticated technology to produce. There may be, however, a few bright or dark pixels on the screen. These pixels will have no impact on the performance of the product.
- To keep your TV in optimum condition, upgrade to the latest software. Use the **Update Now** or **Auto Update** functions on the TV's menu (Ⓜ) > Menu > Settings > Support > Software Update > Update Now or Auto Update).
- In **Portrait Mode**, some apps or external inputs may not support the full screen.

### Safety Precaution

Using the stand provided with the product, install The Sero on a flat surface.



Caution: Pulling, pushing, or climbing on the TV may cause the TV to fall. In particular, ensure your children do not hang on or destabilize the TV. This action may cause the TV to tip over, causing serious injuries or death. Follow all safety precautions provided in the Safety Flyer included with your TV.



**WARNING:** Never place a television set in an unstable location. The television set may fall, causing serious personal injury or death. Many injuries, particularly to children, can be avoided by taking simple precautions such as:

- Always use cabinets or stands or mounting methods recommended by Samsung.
- Always use furniture that can safely support the television set.
- Always ensure the television set is not overhanging the edge of the supporting furniture.
- Always educate children about the dangers of climbing on furniture to reach the television set or its controls.
- Always route cords and cables connected to your television so they cannot be tripped over, pulled or grabbed.
- Never place a television set in an unstable location.
- Never place the television set on tall furniture (for example, cupboards or bookcases) without anchoring both the furniture and the television set to a suitable support.

- Never place the television set on cloth or other materials that may be located between the television set and supporting furniture.
  - Never place items that might tempt children to climb, such as toys and remote controls, on the top of the television or furniture on which the television is placed.
- If the existing television set is going to be retained and relocated, the same considerations as above should be applied.
- When you have to relocate or lift the TV for replacement or cleaning, be sure not to pull out the stand.

### Precautions for moving The Sero

- Lift the product by two persons upright only in portrait mode.
  - Never move the product in landscape mode.
  - If the product falls, it may cause injury or product damage. Be careful not to hurt hands or feet.
  - Be careful not to hold the screen display while lifting the product.
  - Do not lift the product by yourself.
  - Never move the product by dragging it.
  - Never hold the display for moving.



## Operation

- This apparatus uses batteries. In your community, there might be environmental regulations that require you to dispose of these batteries properly. Please contact your local authorities for disposal or recycling information.
- Store the accessories (remote control, or etc.) in a location safely out of the reach of children.
- Do not drop or strike the product. If the product is damaged, disconnect the power cord and contact a Samsung service center.
- Do not dispose of remote control or batteries in a fire.
- Do not short-circuit, disassemble, or overheat the batteries.
- CAUTION:** There is danger of an explosion if you replace the batteries used in the remote with the wrong type of battery. Replace only with the same or equivalent type.
- WARNING - TO PREVENT THE SPREAD OF FIRE, KEEP CANDLES AND OTHER ITEMS WITH OPEN FLAMES AWAY FROM THIS PRODUCT AT ALL TIMES.**

## Caring for the TV

- To clean this apparatus, unplug the power cord from the wall outlet and wipe the product with a soft, dry cloth. Do not use any chemicals such as wax, benzene, alcohol, thinners, insecticide, air fresheners, lubricants, or detergents. These chemicals can damage the appearance of the TV or erase the printing on the product.
- The exterior and screen of the TV can get scratched during cleaning. Be sure to wipe the exterior and screen carefully using a soft cloth to prevent scratches.
- Do not spray water or any liquid directly onto the TV. Any liquid that goes into the product may cause a failure, fire, or electric shock.

## 04 Specifications and Other Information

### Specifications

<b>Display Resolution</b>	3840 x 2160
<b>Sound (Output)</b>	60 W
<b>Operating Temperature</b>	50 °F to 104 °F (10 °C to 40 °C)
<b>Operating Humidity</b>	10 % to 80 %, non-condensing
<b>Storage Temperature</b>	-4 °F to 113 °F (-20 °C to 45 °C)
<b>Storage Humidity</b>	5 % to 95 %, non-condensing

### Notes

- This device is a Class B digital apparatus.
- For information about the power supply, and more information about power consumption, refer to the information on the label attached to the product.
  - On most models, the label is attached to the back of the TV. (On some models, the label is inside the cover terminal.)
- The images and specifications of the Quick Setup Guide may differ from the actual product.

## Decreasing power consumption

When you shut the TV off, it enters Standby mode. In Standby mode, it continues to draw a small amount of power. To decrease power consumption, unplug the power cord when you don't intend to use the TV for a long time.

## Licenses

### Dolby Audio

POWERED BY

QUICK SET™

HEVC Advance™  
Covered by Patents at [patentlist.thevca.com](http://patentlist.thevca.com)

### HDMI™

The terms HDMI and HDMI High-Definition Multimedia Interface, and the HDMI Logo are trademarks or registered trademarks of HDMI Licensing Administrator, Inc. in the United States and other countries.



# SAMSUNG

## MANUAL DEL USUARIO

Gracias por comprar este producto Samsung.

Para recibir un servicio más completo, registre su producto en [www.samsung.com](http://www.samsung.com)

Modelo  N.º de serie

Las figuras e ilustraciones de este Manual del usuario se ofrecen como referencia solamente y pueden ser distintas del aspecto real del producto.

El diseño y las especificaciones del producto están sujetos a cambios sin previo aviso.

### Comuníquese con SAMSUNG WORLD WIDE

Si desea hacernos alguna pregunta o comentario en relación con los productos de Samsung, comuníquese con el centro de servicio de Samsung.

País	Centro de servicio de Samsung ☎	Sitio web
ARGENTINA	0800-555-SAMS(7267)	<a href="http://www.samsung.com/ar">www.samsung.com/ar</a>
URUGUAY	0800-SAMS(7267)	<a href="http://www.samsung.com/uy">www.samsung.com/uy</a>
PARAGUAY	0800-11-SAMS(7267)	<a href="http://www.samsung.com/py">www.samsung.com/py</a>
CHILE	800 726 786	
BOLIVIA	800107 260	<a href="http://www.samsung.com/cl/support">www.samsung.com/cl/support</a>
COLOMBIA	Bogotá en el 600 12 72 Sin costo en todo el país 01 8000 112 112 Y desde tu celular #726	<a href="http://www.samsung.com/co/support">www.samsung.com/co/support</a>
COSTA RICA	00-800-1-SAMSUNG (726-7864)	
DOMINICAN REPUBLIC	1-800-751-2676	
ECUADOR	1-800-SAMSUN (72-6786)	<a href="http://www.samsung.com/latin/support">www.samsung.com/latin/support</a> (Spanish)
EL SALVADOR	8000-SAMSUNG (726-7864)	<a href="http://www.samsung.com/latin_en/support">www.samsung.com/latin_en/support</a> (English)
GUATEMALA	1-800-299-0033	
HONDURAS	800-2791-9111	
JAMAICA	1-800-SAMSUNG (726-7864)	<a href="http://www.samsung.com/latin_en/support">www.samsung.com/latin_en/support</a> (English)
NICARAGUA	001-800-5077267	<a href="http://www.samsung.com/latin_support">www.samsung.com/latin_support</a> (Spanish)
PANAMA	800-0101	<a href="http://www.samsung.com/latin_en/support">www.samsung.com/latin_en/support</a> (English)
PERU	08007708 Desde teléfonos fijos, públicos o celulares	<a href="http://www.samsung.com/pe/support">www.samsung.com/pe/support</a>
PUERTO RICO	1-800-682-3180	<a href="http://www.samsung.com/latin/support">www.samsung.com/latin/support</a> (Spanish)
TRINIDAD & TOBAGO	1-800-SAMSUNG(726-7864)	<a href="http://www.samsung.com/latin_en/support">www.samsung.com/latin_en/support</a> (English)
VENEZUELA	0-800-100-5303	

© 2022 Samsung Electronics Co., Ltd. Todos los derechos reservados.

### Limpeza de la tela

- Elimine de inmediato cualquier suciedad o mancha en la superficie del producto.
  - La eliminación y la limpieza pueden ser menos eficaces para algunas sustancias o si no se limpian durante un tiempo prolongado.
- Utilice una aspiradora o un rodillo con superficie adhesiva para capturar pelusas para eliminar el polvo, las huellas de las manos y demás.
  - Algunos cepillos de limpieza pueden dañar el producto según los materiales que contengan.
  - Las toallas y los paños de limpieza pueden dejar pelusas o suciedad en el producto.
- Elimine periódicamente el polvo, aunque la superficie no esté contaminada ni manchada.
  - El polvo adherido a la superficie durante un tiempo prolongado puede provocar manchas.
- No utilice un clavo ni otras herramientas para rascar la suciedad. Puede dañar la tela.
- Para eliminar las manchas de aceite o líquido, utilice un paño blanco limpio humedecido con agua. Si la mancha no sale, límpiela con un paño y una mezcla de agua y detergente neutro (como jabón para lavar platos).
  - Un detergente o limpiador que no sea neutro puede causar decoloración o daños en la tela.
  - Tras la limpieza, utilice un paño seco o un secador de pelo para secar la zona.
  - Para evitar la decoloración o el daño de la tela, no ejerza mucha fuerza al momento de limpiar.

## 01 Contenido del paquete

Asegúrese de que los siguientes elementos estén incluidos con su televisor. Si falta algún elemento, comuníquese con su distribuidor.

- Control remoto Samsung Smart
- Manual del usuario
- Guía de seguridad / Guía de información legal (No disponible en algunos lugares)
- Cable de alimentación del televisor

- Los colores y las formas pueden variar según el modelo.
- Los cables no incluidos pueden adquirirse por separado.
- Verifique que no haya accesorios ocultos en los materiales de empaque cuando abra la caja.

Las pantallas se pueden dañar si se ejerce presión directa sobre ellas al manejarlas incorrectamente. Asegúrese de sujetar los bordes de la pantalla al levantar el televisor, como se muestra en la figura.



## Antes de leer este manual del usuario

Este televisor viene con este manual del usuario y un e-Manual incluido (☰) > ☰ Menú > ⚙ Configuración > Soporte técnico > Abrir e-Manual.

En el sitio web ([www.samsung.com](http://www.samsung.com)) puede descargar los manuales y ver su contenido en su computadora o dispositivo móvil.

## ¡Advertencia! Instrucciones de seguridad importantes

Lea las instrucciones de seguridad antes de utilizar el televisor. Consulte la siguiente tabla para obtener una explicación de los símbolos que su producto Samsung puede presentar.

PRECAUCIÓN	
PELIGRO DE DESCARGA ELÉCTRICA. NO ABRIR.	
PRECAUCIÓN: PARA REDUCIR EL RIESGO DE DESCARGA ELÉCTRICA, NO RETIRE LA CUBIERTA (NI LA PARTE POSTERIOR). NO CONTIENE PIEZAS QUE EL USUARIO PUEDA REPARAR. ENCOMIENDE LAS REPARACIONES AL PERSONAL CALIFICADO.	
	Este símbolo indica que el dispositivo contiene alto voltaje. Es peligroso establecer cualquier tipo de contacto con cualquier parte interna del producto.
	Este símbolo indica que con este producto se incluye documentación importante relativa a la operación y el mantenimiento.
	Producto de Clase II: Este símbolo indica que no es necesaria una conexión eléctrica de seguridad (toma de tierra). Si un producto con cable de alimentación no tiene este símbolo, el producto DEBE contar con una puesta a tierra (masa) de protección confiable.
	Voltaje CA: La tensión nominal marcada con este símbolo es CA.
	Voltaje CC: La tensión nominal marcada con este símbolo es CC.
	Precaución. Consulte las instrucciones antes de usar: Este símbolo indica que se debe consultar el manual del usuario para obtener información relacionada con la seguridad.

### Encendido

- No sobrecargue las tomas de la pared, los cables de extensión ni los adaptadores por encima de su capacidad. De lo contrario, podría producirse un incendio o descarga eléctrica.
- Los cables de alimentación deben colocarse de forma que no puedan pisarse ni quedar atrapados por objetos encima o contra ellos. Preste especial atención a los extremos del cable en las tomas de pared y en el punto en el que salen del aparato.
- No inserte ningún objeto metálico en las piezas abiertas del aparato. Hacerlo puede generar una descarga eléctrica.
- Para evitar una descarga eléctrica, nunca toque el interior del aparato. Únicamente un técnico calificado debe abrir el aparato.
- Asegúrese de enchufar el cable de alimentación hasta que esté insertado firmemente. Cuando desconecte el cable de una toma de pared, asegúrese de tirar del enchufe del cable. Nunca desenchufe jalando el cable. No toque el cable de alimentación con las manos mojadas.
- Si el aparato no funciona normalmente, en especial si emite sonidos u olores extraños, desenchúfelo de inmediato y comuníquese con un distribuidor o centro de servicio autorizado de Samsung.
- A fin de proteger el aparato contra tormentas eléctricas, o cuando lo deje sin vigilancia o sin utilizar, asegúrese de desenchufarlo de la toma de pared y desconecte la antena o el sistema de cable.
  - El polvo acumulado puede provocar una descarga eléctrica, una fuga de electricidad o un incendio al hacer que el cable de alimentación suelte chispas o calor o al deteriorarse el aislamiento.
- Use únicamente un enchufe y una toma de pared con una conexión a tierra adecuada.
  - Una conexión a tierra no adecuada puede provocar una descarga eléctrica o daños al equipo. (Únicamente para los equipos Clase I).
- Para apagar este aparato completamente debe desconectarlo de la toma de pared. Para garantizar que pueda desconectar este aparato rápidamente en caso necesario, asegúrese de que la toma de pared y el enchufe sean fácilmente accesibles.

### Instalación

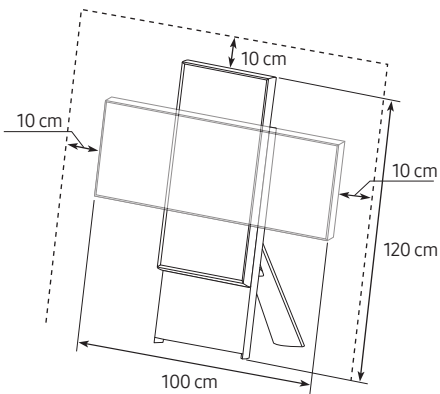
- No coloque este aparato cerca o sobre un radiador o calefactor, ni en un lugar expuesto a la luz directa del sol.
- No coloque recipientes (jarrones, etc.) que contengan agua sobre este aparato ya que podría representar riesgo de incendio o descarga eléctrica.
- No exponga este aparato a la lluvia o la humedad.
- Asegúrese de contactarse con un centro de servicio autorizado para obtener información si va a instalar su televisor en un lugar con mucho polvo, temperaturas altas o bajas, altos niveles de humedad, sustancias químicas, o en lugares donde vaya a funcionar las 24 horas del día, como aeropuertos, estaciones de ferrocarril, etc. No hacerlo puede provocar daños graves al televisor.
- No exponga este aparato a goteos ni salpicaduras.

### Ventilación adecuada del televisor

Deje un espacio alrededor del producto para la ventilación. No mantener una ventilación adecuada puede tener como consecuencia un incendio o un problema con el producto causados por un aumento en su temperatura interna.

Para la instalación, asegure los espacios como se muestra en la figura.

- Cuando utilice un soporte para instalar su televisor, le recomendamos que use únicamente las piezas proporcionadas por Samsung Electronics. Si utiliza piezas proporcionadas por otro fabricante, podría tener problemas con el producto o sufrir una lesión debido a la caída del producto.



### Precaución de seguridad

Si utiliza el soporte provisto con el producto, instale The Sero en una superficie plana.



**Precaución:** Jalar el televisor, empujarlo o colgarse de él puede provocar su caída. En especial, impida que los niños se cuelguen del televisor o lo desestabilicen. El televisor podría caerse sobre ellos y causarles lesiones graves o incluso la muerte. Sigla las precauciones de seguridad del folleto de seguridad incluido con el televisor.



**ADVERTENCIA:** Nunca coloque un televisor en una ubicación inestable. El televisor podría caer y causar lesiones personales graves o incluso la muerte. Muchas lesiones, en especial en el caso de los niños, pueden evitarse tomando sencillas precauciones como las siguientes:

- Utilice gabinetes o soportes recomendados por Samsung.
- Utilice muebles capaces de soportar el peso del televisor.
- Asegúrese de que el televisor no sobresalga en exceso del borde del mueble.
- Eduque a los niños acerca de los peligros de subirse al mueble para llegar al televisor o a los controles.
- Conecte los cables a su televisor de modo que no se tropiece con ellos, no los jale ni los enganche.
- Nunca coloque un televisor en una ubicación inestable.
- No coloque el televisor sobre muebles altos (por ejemplo, estantes o librerías) sin haber anclado el mueble y el televisor en un soporte adecuado.

## 03 Solución de problemas y mantenimiento

### Solución de problemas

Para obtener más información, consulte "Solución de problemas" o "Preguntas frecuentes" en el e-Manual.

☰ > ☰ Menú > ⚙ Configuración > Soporte técnico > Abrir e-Manual > Solución de problemas o Preguntas frecuentes

Si ninguna de las sugerencias es aplicable, visite "www.samsung.com" y haga clic en Soporte o comuníquese con el centro de servicio de Samsung.

- Este panel LED TFT está formado por un panel compuesto de subpíxeles que requieren una tecnología sofisticada para producirse. No obstante, es posible que existan algunos píxeles brillantes u oscuros en la pantalla. Estos píxeles no influirán en el desempeño del producto.
- Para mantener su televisor en óptimas condiciones, actualícelo al software más reciente. Use las funciones **Actualizar ahora** o **Actualización automática** del menú del televisor (☰) > ☰ Menú > ⚙ Configuración > Soporte técnico > Actualización de software > Actualizar ahora o Actualización automática).
- En **Modo vertical**, algunas aplicaciones o entradas externas pueden no admitir la pantalla completa.

### El televisor no se enciende.

- Verifique que el cable de alimentación esté bien conectado en la toma de pared y en el televisor.
- Asegúrese de que la toma de pared funcione y que el sensor del control remoto en la parte inferior del televisor esté encendido de color rojo continuo.
  - Intente con presionar el botón **Controlador TV** detrás de la pantalla para asegurarse de que el problema no esté en el control remoto. Si el televisor se enciende, consulte la sección "El control remoto no funciona".

### El control remoto no funciona.

- Revise si el sensor del control remoto en la parte inferior del televisor parpadea al presionar el botón (☰) del control remoto.
  - Cuando la batería del control remoto se descargue, cárguela utilizando el puerto de carga USB (tipo C) o dé vuelta el control remoto para exponer la celda solar a la luz.
- Pruebe apuntar el control remoto directamente al televisor desde una distancia de 1.5-1.8 m (150-180 cm).
- Si su televisor estaba provisto de un Control remoto Samsung Smart (control remoto Bluetooth), asegúrese de vincular este al televisor. Para emparejar el Control remoto Samsung Smart, presione los botones (🔊) y (🔊) a la vez durante 3 segundos.

### Sensor Eco y brillo de la pantalla

El Sensor Eco ajusta automáticamente el brillo del televisor. Esta función mide el nivel de luz de la habitación y optimiza automáticamente el nivel de brillo del televisor para reducir el consumo de energía. Si desea desactivar esta función, vaya a (🔊) > ☰ Menú > ⚙ Configuración > Todos los ajustes > General y privacidad > Ahorro de energía > Optimización del brillo.

- El sensor eco se encuentra en la parte inferior del televisor. No bloquee el sensor con ningún objeto. Puede disminuir el brillo de la imagen.

- No coloque el televisor sobre una tela u otro material similar entre el televisor y el mueble.
- No coloque elementos que puedan invitar a los niños a treparse, tales como juguetes o controles remotos, a la parte superior del televisor o al mueble sobre el que se coloca el televisor.
- Si va a reubicar el televisor actual, deberá aplicar las mismas consideraciones anteriores.
- Cuando deba reubicar el televisor o levantarlo para reemplazo o limpieza, asegúrese de no retirar el soporte.

### Precauciones para mover The Sero

- Dos personas deben levantar el producto de manera vertical en modo retrato.
  - No debe mover el producto de manera horizontal.
  - Si el producto se cae, puede causar lesiones personales o daños al producto. Tenga cuidado de no lesionarse las manos o los pies.
  - Tenga cuidado de no sostener la pantalla del televisor cuando levante el producto.
  - No levante el producto por su cuenta.
  - No arrastre el producto.
  - No sostenga la pantalla del producto cuando lo mueva.

### Función

- Este aparato utiliza pilas. En su comunidad pueden existir normativas ambientales que exijan que deseche las pilas adecuadamente. Comuníquese con las autoridades locales para obtener información sobre disposición y reciclaje.
- Guarde los accesorios (control remoto, etc.) en un lugar fuera del alcance de los niños.
- No deje caer el producto ni lo golpee. Si el producto se daña, desconecte el cable de alimentación y comuníquese con un centro de servicio.
- No arroje el control remoto ni las pilas al fuego.
- No genere un cortocircuito, desensamble ni recaliente las pilas.
- PRECAUCIÓN:** Hay peligro de explosión si reemplaza las pilas usadas en el control remoto por otras de un tipo incorrecto. Reemplácelas únicamente por el mismo tipo o un tipo equivalente.
- Antes de usar el equipo lea este manual para evitar fallas y guarde para futuras referencias.
- ADVERTENCIA - A FIN DE EVITAR QUE SE DISEMINE EL FUEGO, MANTENGA LAS VELAS Y LAS LLAMAS ABIERTAS ALEJADAS DEL PRODUCTO EN TODO MOMENTO.**



### Cuidado del televisor

- Para limpiar este aparato, desconecte el cable de alimentación de la toma de pared y limpie el aparato con un paño suave y seco. No use sustancias químicas como cera, benceno, alcohol, diluyentes, insecticidas, desodorantes ambientales, lubricantes o detergente. Estos productos químicos pueden dañar el aspecto del televisor o borrar las impresiones del producto.
- La parte exterior y la pantalla del televisor podrían rayarse durante la limpieza. Asegúrese de limpiar la parte exterior y la pantalla utilizando un paño suave para evitar que se rayen.
- No rocíe agua ni líquidos directamente sobre el televisor. Cualquier líquido que ingrese al producto puede ocasionar fallas, incendio o descarga eléctrica.

## Reducción del consumo de energía

Cuando el televisor se apaga, entra en modo en espera. En el modo en espera, continúa consumiendo una pequeña cantidad de energía. Para disminuir el consumo de energía desenchufe el cable de alimentación cuando no vaya a usar el televisor durante un tiempo prolongado.

### Licencias

**Dolby Audio**

POWERED BY

**QUICK SET™**

**HEVC Advance™**  
Covered by Patents at [patentlist.hvccadivance.com](http://patentlist.hvccadivance.com)

**HDMI™**  
www.hdmi.com

The terms HDMI and HDMI High-Definition Multimedia Interface, and the HDMI Logo are trademarks or registered trademarks of HDMI Licensing Administrator, Inc. in the United States and other countries.