

SAMSUNG

USER MANUAL

Thank you for purchasing this Samsung product.
To receive more complete service, please register your product at www.samsung.com
Model _____ Serial No. _____

Figures and illustrations in this User Manual are provided for reference only and may differ from the actual product appearance.
Product design and specifications may change without notice.

Contact SAMSUNG WORLD WIDE

If you have any questions or comments relating to Samsung products, please contact the Samsung service center.

Country	Samsung Service Center	Web Site
ARGENTINA	0800-555-SAMS(7267)	www.samsung.com/ar
URUGUAY	0800-SAMS(7267)	www.samsung.com/uy
PARAGUAY	0800-11-SAMS(7267)	www.samsung.com/py
CHILE	800 726 786	
BOLIVIA	800107 260	www.samsung.com/cl/support
COLOMBIA	Bogotá en el 600 12 72 Sin costo en todo el país 01 8000 112 112 Y desde tu celular #726	www.samsung.com/co/support
COSTA RICA	00-800-1-SAMSUNG (726-7864)	
DOMINICAN REPUBLIC	1-800-751-2676	
ECUADOR	1-800-SAMSUN (72-6786)	www.samsung.com/latin/support (Spanish)
EL SALVADOR	8000-SAMSUNG (726-7864)	www.samsung.com/latin_en/support (English)
GUATEMALA	1-800-299-0033	
HONDURAS	800-2791-9111	
JAMAICA	1-800-SAMSUNG (726-7864)	www.samsung.com/latin_en/support (English)
NICARAGUA	001-800-5077267	www.samsung.com/latin/support (Spanish)
PANAMA	800-0101	www.samsung.com/latin_en/support (English)
PERU	08007708 Desde teléfonos fijos, públicos o celulares	www.samsung.com/pe/support
PUERTO RICO	1-800-682-3180	www.samsung.com/latin/support (Spanish)
TRINIDAD & TOBAGO	1-800-SAMSUNG(726-7864)	
VENEZUELA	0-800-100-5303	www.samsung.com/latin_en/support (English)



BN68-12898A-01

© 2021 Samsung Electronics Co., Ltd. All rights reserved.

Operation

- This apparatus uses batteries. In your community, there might be environmental regulations that require you to dispose of these batteries properly. Please contact your local authorities for disposal or recycling information.
- Store the accessories (remote control, batteries, or etc.) in a location safely out of the reach of children.
- Do not drop or strike the product. If the product is damaged, disconnect the power cord and contact a Samsung service center.
- Do not dispose of remote control or batteries in a fire.
- Do not short-circuit, disassemble, or overheat the batteries.
- CAUTION:** There is danger of an explosion if you replace the batteries used in the remote with the wrong type of battery. Replace only with the same or equivalent type.
- WARNING - TO PREVENT THE SPREAD OF FIRE, KEEP CANDLES AND OTHER ITEMS WITH OPEN FLAMES AWAY FROM THIS PRODUCT AT ALL TIMES.**

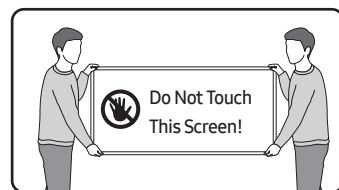


Caring for the TV

- To clean this apparatus, unplug the power cord from the wall outlet and wipe the product with a soft, dry cloth. Do not use any chemicals such as wax, benzene, alcohol, thinners, insecticide, air fresheners, lubricants, or detergents. These chemicals can damage the appearance of the TV or erase the printing on the product.
- The exterior and screen of the TV can get scratched during cleaning. Be sure to wipe the exterior and screen carefully using a soft cloth to prevent scratches.
- Do not spray water or any liquid directly onto the TV. Any liquid that goes into the product may cause a failure, fire, or electric shock.



The screen can be damaged from direct pressure when handled incorrectly. As shown in the figure, make sure to grip the edges of the screen when you lift the TV. For more information about handling, refer to the Quick Setup Guide came with this product.



Before Reading This User Manual

This TV comes with this User Manual and an embedded e-Manual (ⓘ) > ⚙️ Settings > e-Manual.
On the website (www.samsung.com), you can download the manuals and see its contents on your PC or mobile device.

Warning! Important Safety Instructions

Please read the Safety Instructions before using your TV.
Refer to the table below for an explanation of symbols which may be on your Samsung product.

CAUTION	
RISK OF ELECTRIC SHOCK. DO NOT OPEN.	
CAUTION: TO REDUCE THE RISK OF ELECTRIC SHOCK, DO NOT REMOVE COVER (OR BACK). THERE ARE NO USER SERVICEABLE PARTS INSIDE. REFER ALL SERVICING TO QUALIFIED PERSONNEL.	
	This symbol indicates that high voltage is present inside. It is dangerous to make any kind of contact with any internal part of this product.
	This symbol indicates that this product has included important literature concerning operation and maintenance.
	Class II product: This symbol indicates that a safety connection to electrical earth (ground) is not required. If this symbol is not present on a product with a power cord, the product MUST have a reliable connection to protective earth (ground).
	AC voltage: Rated voltage marked with this symbol is AC voltage.
	DC voltage: Rated voltage marked with this symbol is DC voltage.
	Caution. Consult instructions for use: This symbol instructs the user to consult the user manual for further safety related information.

Power

- Do not overload wall outlets, extension cords, or adaptors beyond their voltage and capacity. It may cause fire or electric shock.
Refer to the power specifications section of the manual and/ or the power supply label on the product for voltage and amperage information.
- Power-supply cords should be placed so that they are not likely to be walked on or pinched by items placed upon or against them. Pay particular attention to cords at the plug end, at wall outlets, and at the point where they exit from the appliance.
- Never insert anything metallic into the open parts of this apparatus. This may cause electric shock.
- To avoid electric shock, never touch the inside of this apparatus. Only a qualified technician should open this apparatus.
- Be sure to plug in the power cord until it is firmly seated. When unplugging the power cord from a wall outlet, always pull on the power cord's plug. Never unplug it by pulling on the power cord. Do not touch the power cord with wet hands.
- If this apparatus does not operate normally - in particular, if there are any unusual sounds or smells coming from it - unplug it immediately and contact an authorized dealer or Samsung service center.
- To protect this apparatus from a lightning storm, or to leave it unattended and unused for a long time (especially when a kid, the elderly, or the disabled is left alone), be sure to unplug it from the wall outlet and disconnect the antenna or cable system.
 - Accumulated dust can cause an electric shock, an electric leakage, or a fire by causing the power cord to generate sparks and heat or by causing the insulation to deteriorate.
- Use only a properly grounded plug and wall outlet.
 - An improper ground may cause electric shock or equipment damage. (Class I Equipment only.)
- To turn off this apparatus completely, disconnect it from the wall outlet. To ensure you can unplug this apparatus quickly if necessary, make sure that the wall outlet and power plug are readily accessible.

Installation

- Do not place this apparatus near or over a radiator or heat register, or where it is exposed to direct sunlight.
- Do not place vessels (vases etc.) containing water on this apparatus, as this can result in a fire or electric shock.
- Do not expose this apparatus to rain or moisture.
- Be sure to contact an authorized Samsung service center for information if you intend to install your TV in a location with heavy dust, high or low temperatures, high humidity, chemical substances, or where it will operate 24 hours a day such as in an airport, a train station, etc. Failure to do so may lead to serious damage to your TV.
- Do not expose this apparatus to dripping or splashing.

Mounting the TV on a wall

If you mount this TV on a wall, follow the instructions exactly as set out by the manufacturer. If it is not correctly mounted, the TV may slide or fall and cause serious injury to a child or adult and serious damage to the TV.

- To order the Samsung wall mount kit, contact Samsung service center.
- Samsung Electronics is not responsible for any damage to the product or injury to yourself or others if you choose to install the wall mount on your own.
- Samsung is not liable for product damage or personal injury when a non-VESA or non-specified wall mount is used or when the consumer fails to follow the product installation instructions.
- You can install your wall mount on a solid wall perpendicular to the floor. Before attaching the wall mount to surfaces other than plaster board, contact your nearest dealer for additional information. If you install the TV on a ceiling or slanted wall, it may fall and result in severe personal injury.
- When installing a wall mount kit, we recommend you fasten all four VESA screws.
- If you want to install a wall mount kit that attaches to the wall using two top screws only, be sure to use a Samsung wall mount kit that supports this type of installation. (You may not be able to purchase this type of wall mount kit, depending on the geographical region.)
- Do not mount the TV at more than a 15 degree tilt.
- Standard dimensions for wall mount kits are shown in the table on the Quick Setup Guide.

The remote control does not work.

- Check if the remote control sensor at the bottom of the TV blinks when you press the remote's Power button.
 - AU Series: If it does not blink, replace the remote control's batteries. Make sure that the batteries are installed with their poles (+/-) in the correct direction. Alkaline batteries are recommended for longer battery life.
 - Q Series: When the remote's battery is discharged, charge the battery using the USB charging port, or turn over the remote to expose the solar cell to light.
- Try pointing the remote directly at the TV from 1.5-1.8 m (150-180 cm) away.
- If your TV came with a Samsung Smart Remote (Bluetooth Remote), make sure to pair the remote to the TV. To pair a Samsung Smart Remote, press the Ⓜ️ + Ⓜ️ buttons together for 10 seconds.

Eco Sensor and screen brightness

Eco Sensor adjusts the brightness of the TV automatically. This feature measures the light in your room and optimizes the brightness of the TV automatically to reduce power consumption. If you want to turn this off, go to Ⓜ️ > ⚙️ Settings > General > Power and Energy Saving > Brightness Optimization.

- The eco sensor is located at the bottom of the TV. Do not block the sensor with any object. This can decrease picture brightness.

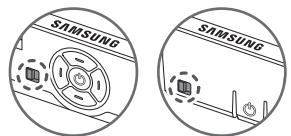
The TV won't turn on.

- Make sure that the AC power cord is securely plugged into the TV and the wall outlet.
- Make sure that the wall outlet is working and the remote control sensor at the bottom of the TV is lit and glowing a solid red.
- Try pressing the TV Controller button at the bottom of the TV to make sure that the problem is not with the remote control. If the TV turns on, refer to "The remote control does not work."

- Control menu
- TV Controller button / Remote control sensor

Setting the sound sensor

- This function is supported only in Q7*A/Q8*A/QN8*A/QN9*A Series.



You can turn on or off the sound sensor by using its button at the bottom of the TV.

- With the TV on, push the button to the left (or back) to turn the sound sensor on or to the right (or forward) to turn it off. See the pop-up window on the TV to check whether the sound sensor is turned on or off.
- The position and shape of the sound sensor may differ depending on the model.
 - During analysis using data from the sound sensor, the data is not saved.



Do not install your wall mount kit while your TV is turned on. This may result in personal injury from electric shock.

- Do not use screws that are longer than the standard dimension or do not comply with the VESA standard screw specifications. Screws that are too long may cause damage to the inside of the TV set.
- For wall mounts that do not comply with the VESA standard screw specifications, the length of the screws may differ depending on the wall mount specifications.
- Do not fasten the screws too firmly. This may damage the product or cause the product to fall, leading to personal injury. Samsung is not liable for these kinds of accidents.
- Always have two people mount the TV onto a wall.
 - For 82 inch or larger models, have four people mount the TV onto a wall.

Providing proper ventilation for your TV

When you install your TV, maintain a distance of at least 10 cm between the TV and other objects (walls, cabinet sides, etc.) to ensure proper ventilation. Failing to maintain proper ventilation may result in a fire or a problem with the product caused by an increase in its internal temperature.

- When you install your TV with a stand or a wall mount, we strongly recommend you use parts provided by Samsung Electronics only. Using parts provided by another manufacturer may cause difficulties with the product or result in injury caused by the product falling.

Safety Precaution



Caution: Pulling, pushing, or climbing on the TV may cause the TV to fall. In particular, ensure your children do not hang on or destabilize the TV. This action may cause the TV to tip over, causing serious injuries or death. Follow all safety precautions provided in the Safety Flyer included with your TV. For added stability and safety, you can purchase and install the anti-tip device, referring to "Preventing the TV from falling."

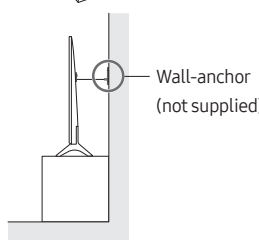
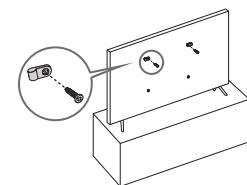


WARNING: Never place a television set in an unstable location. The television set may fall, causing serious personal injury or death. Many injuries, particularly to children, can be avoided by taking simple precautions such as:

- Always use cabinets or stands or mounting methods recommended by Samsung.
- Always use furniture that can safely support the television set.
- Always ensure the television set is not overhanging the edge of the supporting furniture.
- When you install your TV with a stand or a wall mount, we strongly recommend you use parts provided by Samsung Electronics only. Using parts provided by another manufacturer may cause difficulties with the product or result in injury caused by the product falling.
- Never place a television set in an unstable location.
- Never place the television set on tall furniture (for example, cupboards or bookcases) without anchoring both the furniture and the television set to a suitable support.
- Never place the television set on cloth or other materials that may be located between the television set and supporting furniture.
- Never place items that might tempt children to climb, such as toys and remote controls, on the top of the television or furniture on which the television is placed.
- When you have to relocate or lift the TV for replacement or cleaning, be sure not to pull out the stand.

If the existing television set is going to be retained and relocated, the same considerations as above should be applied.

Preventing the TV from falling



- Using the appropriate screws, firmly fasten a set of brackets to the wall. Confirm that the screws are firmly attached to the wall.
 - You may need additional material such as wall anchors depending on the type of wall.
- Using the appropriately sized screws, firmly fasten a set of brackets to the TV.
 - For the screw specifications, refer to the standard screw part in the table on the Quick Setup Guide.
- Connect the brackets fixed to the TV and the brackets fixed to the wall with a durable, heavy-duty string, and then tie the string tightly.
 - Install the TV near the wall so that it does not fall backwards.
 - Connect the string so that the brackets fixed to the wall are at the same height as or lower than the brackets fixed to the TV.

SAMSUNG

MANUAL DEL USUARIO

Gracias por comprar este producto Samsung.

Para recibir un servicio más completo, registre su producto en www.samsung.com

Modelo N.º de serie

Las figuras e ilustraciones de este Manual del usuario se ofrecen como referencia solamente y pueden ser distintas del aspecto real del producto.

El diseño y las especificaciones del producto están sujetos a cambios sin previo aviso.

Comuníquese con **SAMSUNG WORLD WIDE**

Si desea hacernos alguna pregunta o comentario en relación con los productos de Samsung, comuníquese con el centro de servicio de Samsung.

País	Centro de servicio de Samsung ☎	Sitio web
ARGENTINA	0800-555-SAMS(7267)	www.samsung.com/ar
URUGUAY	0800-SAMS(7267)	www.samsung.com/uy
PARAGUAY	0800-11-SAMS(7267)	www.samsung.com/py
CHILE	800 726 786	
BOLIVIA	800 107 260	www.samsung.com/cl/support
COLOMBIA	Bogotá en el 600 12 72 Sin costo en todo el país 01 8000 112 112 Y desde tu celular #726	www.samsung.com/co/support
COSTA RICA	00-800-1-SAMSUNG (726-7864)	
DOMINICAN REPUBLIC	1-800-751-2676	
ECUADOR	1-800-SAMSUN (72-6786)	www.samsung.com/latin/support (Spanish)
EL SALVADOR	8000-SAMSUNG (726-7864)	www.samsung.com/latin_en/support (English)
GUATEMALA	1-800-299-0033	
HONDURAS	800-2791-9111	
JAMAICA	1-800-SAMSUNG (726-7864)	www.samsung.com/latin_en/support (English)
NICARAGUA	001-800-5077267	www.samsung.com/latin_support (Spanish)
PANAMA	800-0101	www.samsung.com/latin_en/support (English)
PERU	08007708 Desde teléfonos fijos, públicos o celulares	www.samsung.com/pe/support
PUERTO RICO	1-800-682-3180	
TRINIDAD & TOBAGO	1-800-SAMSUNG(726-7864)	www.samsung.com/latin/support (Spanish)
VENEZUELA	0-800-100-5303	www.samsung.com/latin_en/support (English)

© 2021 Samsung Electronics Co., Ltd. Todos los derechos reservados.

Función

- Este aparato utiliza pilas. En su comunidad pueden existir normativas ambientales que exijan que deseché las pilas adecuadamente. Comuníquese con las autoridades locales para obtener información sobre disposición y reciclaje.
- Guarde los accesorios (control remoto, pilas, etc.) en un lugar fuera del alcance de los niños.
- No deje caer el producto ni lo golpee. Si el producto se daña, desconecte el cable de alimentación y comuníquese con un centro de servicio.
- No arroje el control remoto ni las pilas al fuego.
- No genere un cortocircuito, desensamble ni recaliente las pilas.
- PRECAUCIÓN:** Hay peligro de explosión si reemplaza las pilas usadas en el control remoto por otras de un tipo incorrecto. Reemplácelas únicamente por el mismo tipo o un tipo equivalente.
- Antes de usar el equipo lea este manual para evitar fallas y guarde para futuras referencias.
- ADVERTENCIA - A FIN DE EVITAR QUE SE DISEMINE EL FUEGO, MANTENGA LAS VELAS Y LAS LLAMAS ABIERTAS ALEJADAS DEL PRODUCTO EN TODO MOMENTO.



Cuidado del televisor

- Para limpiar este aparato, desconecte el cable de alimentación de la toma de pared y limpie el aparato con un paño suave y seco. No use sustancias químicas como cera, benceno, alcohol, diluyentes, insecticida, desodorantes ambientales, lubricantes o detergente. Estos productos químicos pueden dañar el aspecto del televisor o borrar las impresiones del producto.
- La parte exterior y la pantalla del televisor podrían rayarse durante la limpieza. Asegúrese de limpiar la parte exterior y la pantalla utilizando un paño suave para evitar que se rayen.
- No rocíe agua ni líquidos directamente sobre el televisor. Cualquier líquido que ingrese al producto puede ocasionar fallas, incendio o descarga eléctrica.

Antes de leer este manual del usuario

Este televisor viene con este manual del usuario y un e-Manual incluido (🔊) > ⚙️ Configuración > e-Manual).

En el sitio web (www.samsung.com) puede descargar los manuales y ver su contenido en su computadora o dispositivo móvil.

¡Advertencia! Instrucciones de seguridad importantes

Lea las instrucciones de seguridad antes de utilizar el televisor. Consulte la siguiente tabla para obtener una explicación de los símbolos que su producto Samsung puede presentar.

PRECAUCIÓN	
PELIGRO DE DESCARGA ELÉCTRICA. NO ABRIR.	
PRECAUCIÓN: PARA REDUCIR EL RIESGO DE DESCARGA ELÉCTRICA, NO RETIRE LA CUBIERTA (NI LA PARTE POSTERIOR). NO CONTIENE PIEZAS QUE EL USUARIO PUEDA REPARAR. ENCOMIENDE LAS REPARACIONES AL PERSONAL CALIFICADO.	
	Este símbolo indica que el dispositivo contiene alto voltaje. Es peligroso establecer cualquier tipo de contacto con cualquier parte interna del producto.
	Este símbolo indica que con este producto se incluye documentación impotante relativa a la operación y el mantenimiento.
	Producto de Clase II: Este símbolo indica que no es necesaria una conexión eléctrica de seguridad (toma de tierra). Si un producto con cable de alimentación no tiene este símbolo, el producto DEBE contar con una puesta a tierra (masa) de protección confiable.
	Voltaje CA: La tensión nominal marcada con este símbolo es CA.
	Voltaje CC: La tensión nominal marcada con este símbolo es CC.
	Precaución. Consulte las instrucciones antes de usar: Este símbolo indica que se debe consultar el manual del usuario para obtener información relacionada con la seguridad.

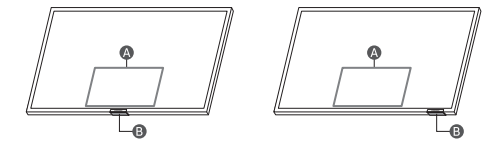
02 Configuración inicial

La primera vez que encienda el televisor, se iniciará inmediatamente la configuración inicial. Siga las instrucciones que se muestran en la pantalla y configure los ajustes básicos del televisor para que se adapten a su entorno de visualización.

Uso de Controlador TV

Puede encender el televisor con el botón **Controlador TV** en la parte inferior del televisor y, luego, usar el **Menú de control**. El **Menú de control** aparece cuando se presiona el botón **Controlador TV** con el televisor encendido.

- La pantalla puede atenuarse si no se quitó la película protectora del logotipo de SAMSUNG o la parte inferior del televisor. Retire la película protectora.



A Menú de control
Botón **B** Controlador TV / Sensor del control remoto

Configuración del sensor de sonido

- Esta función solo es compatible con las series Q7*A/Q8*A/QN8*A/QN9*A.



Puede activar y desactivar el sensor de sonido usando el botón en la parte inferior del televisor.

Con el televisor encendido, presione el botón hacia la izquierda (o hacia atrás) para activar el sensor de sonido o hacia la derecha (o hacia adelante) para desactivarlo. Vea la ventana emergente en el televisor para verificar si el sensor de sonido está activado o no.

- La ubicación y la forma del sensor de sonido puede variar según el modelo.
- Durante el análisis que usa datos del sensor de sonido, los datos no se guardan.

Encendido

- No sobrecargue las tomas de la pared, los cables de extensión ni los adaptadores por encima de su capacidad. De lo contrario, podría producirse un incendio o descarga eléctrica. Consulte la sección de especificaciones de alimentación del manual y/o la etiqueta de la alimentación eléctrica del producto para conocer la información de voltaje y amperaje.
- Los cables de alimentación deben colocarse de forma que no puedan pisarse ni quedar atrapados por objetos encima o contra ellos. Preste especial atención a los extremos del cable en las tomas de pared y en el punto en el que salen del aparato.
- No inserte ningún objeto metálico en las piezas abiertas del aparato. Hacerlo puede generar una descarga eléctrica.
- Para evitar una descarga eléctrica, nunca toque el interior del aparato. Únicamente un técnico calificado debe abrir el aparato.

- Asegúrese de enchufar el cable de alimentación hasta que esté insertado firmemente. Cuando desconecte el cable de una toma de pared, asegúrese de tirar del enchufe del cable. Nunca desenchufe jalando el cable. No toque el cable de alimentación con las manos mojadas.
- Si el aparato no funciona normalmente, en especial si emite sonidos u olores extraños, desenchúfelo de inmediato y comuníquese con un distribuidor o centro de servicio autorizado de Samsung.
- A fin de proteger el aparato contra tormentas eléctricas, o cuando lo deje sin vigilancia o sin utilizar (en especial si hay niños, ancianos o personas con discapacidad sin supervisión), asegúrese de desenchufarlo de la toma de pared y desconecte la antena o el sistema de cable.
 - El polvo acumulado puede provocar una descarga eléctrica, una fuga de electricidad o un incendio al hacer que el cable de alimentación suelte chispas o calor o al deteriorarse el aislamiento.
- Use únicamente un enchufe y una toma de pared con una conexión a tierra adecuada.
 - Una conexión a tierra no adecuada puede provocar una descarga eléctrica o daños al equipo. (Únicamente para los equipos Clase I).

- Para apagar este aparato completamente debe desconectarlo de la toma de pared. Para garantizar que pueda desconectar este aparato rápidamente en caso necesario, asegúrese de que la toma de pared y el enchufe sean fácilmente accesibles.

Instalación

- No coloque este aparato cerca o sobre un radiador o calefactor, ni en un lugar expuesto a la luz directa del sol.
- No coloque recipientes (jarrones, etc.) que contengan agua sobre este aparato ya que podría representar riesgo de incendio o descarga eléctrica.
- No exponga este aparato a la lluvia o la humedad.
- Asegúrese de contactarse con un centro de servicio autorizado para obtener información si va a instalar su televisor en un lugar con mucho polvo, temperaturas altas o bajas, altos niveles de humedad, sustancias químicas, o en lugares donde vaya a funcionar las 24 horas del día, como aeropuertos, estaciones de ferrocarril, etc. No hacerlo puede provocar daños graves al televisor.
- No exponga este aparato a goteos ni salpicadura.

Instalación del televisor en la pared

- Si instala este televisor en una pared, siga exactamente las instrucciones establecidas por el fabricante. Si no se instala correctamente, el televisor puede deslizarse o caerse y provocar lesiones graves a niños o adultos y daños importantes al televisor.

- Para solicitar un kit de montaje de pared Samsung, comuníquese con el Centro de servicio de Samsung.
- Samsung Electronics no se hace responsable de los daños causados al producto o al usuario si se ha optado por instalar el montaje de pared por su cuenta.
- Samsung no se hace responsable de daños al producto o lesiones personales cuando se usa un soporte de pared que no cumple con las especificaciones VESA o si el cliente no sigue las instrucciones de instalación del producto.
- Puede instalar el soporte de pared en una pared sólida, perpendicular al suelo. Antes de conectar el soporte de pared a superficies distintas de una placa de yeso, comuníquese con su distribuidor más cercano para obtener información adicional. Si instala el televisor en el techo o en una pared inclinada, puede caer y causar graves lesiones personales.
- Recomendamos ajustar los cuatro tornillos VESA cuando se instala un soporte de pared.
- Si desea instalar un soporte de pared que se coloque en la pared solo con dos tornillos superiores, asegúrese de usar el soporte de pared Samsung que admita este tipo de instalación. (Es posible que no pueda comprar este tipo de soporte de pared según su región geográfica).
- No instale el televisor con una inclinación de más de 15 grados.
- Las dimensiones estándar de los soportes de pared se muestran en la tabla en la Guía rápida de configuración.

El control remoto no funciona.

- Revise si el sensor del control remoto en la parte inferior del televisor parpadea al presionar el botón Encendido del control remoto.
 - Serie AU: Si no parpadea, reemplace las pilas del control remoto. Asegúrese de que las pilas estén instaladas con sus polos (+/-) en la dirección correcta. Se recomienda usar pilas alcalinas para una mayor duración de las pilas.
 - Serie Q: Cuando la batería del control remoto se descargue, cárguela utilizando el puerto de carga USB o dé vuelta el control para exponer la célula solar a la luz.
- Pruebe apuntar el control remoto directamente al televisor desde una distancia de 1.5-1.8 m (150-180 cm).
- Si su televisor estaba provisto de un Control remoto Samsung Smart (control remoto Bluetooth), asegúrese de vincular este al televisor. Para emparejar el Control remoto Samsung Smart, presione los botones **+** + **+** a la vez durante 10 segundos.

Sensor Eco y brillo de la pantalla

El Sensor Eco ajusta automáticamente el brillo del televisor. Esta función mide el nivel de luz de la habitación y optimiza automáticamente el nivel de brillo del televisor para reducir el consumo de energía. Si desea desactivar esta función, vaya a **⚙️** > **Configuración** > **General** > **Ahorro de energía** > **Optimización del brillo**.

- El sensor eco se encuentra en la parte inferior del televisor. No bloquee el sensor con ningún objeto. Puede disminuir el brillo de la imagen.



No instale el soporte de pared con el televisor encendido. Se podría producir una descarga eléctrica con riesgo de causar lesiones personales.

- No use tornillos con una longitud superior a la medida estándar o que no cumplan con las especificaciones de tornillos estándar VESA. Los tornillos que son demasiado largos pueden causar daños en el interior del televisor.
- Para soportes de pared que no cumplen las especificaciones de tornillos estándar VESA, la longitud de estos puede variar dependiendo de las especificaciones del soporte de pared.
- No apriete excesivamente los tornillos. Podría dañar el producto o provocar su caída con riesgo de causar lesiones personales. Samsung no se hace responsable de este tipo de accidentes.
- Siempre son necesarias dos personas para montar el televisor en la pared.
 - Para los modelos de 82 pulgadas o más, son necesarias cuatro personas para instalar el televisor en la pared.

Ventilación adecuada del televisor

Al instalar el televisor, deje una distancia de al menos 10 cm entre el televisor y otros objetos (paredes, laterales del gabinete, etc.) para asegurar una ventilación adecuada. No mantener una ventilación adecuada puede tener como consecuencia un incendio o un problema con el producto causados por un aumento en su temperatura interna.

- Cuando utiliza un soporte o un soporte de pared para instalar su televisor, le recomendamos que use únicamente las piezas proporcionadas por Samsung Electronics. Si utiliza piezas proporcionadas por otro fabricante, podría tener problemas con el producto o sufrir una lesión debido a la caída del producto.

Precaución de seguridad

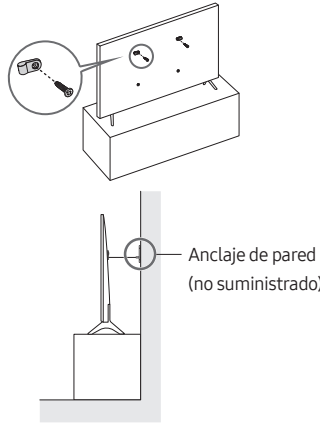


Precaución: Jalar el televisor, empujarlo o colgarse de él puede provocar su caída. En especial, impida que los niños se cuelguen del televisor o lo desestabilicen. El televisor podría caerse sobre ellos y causarles lesiones graves o incluso la muerte. Siga las precauciones de seguridad del folleto de seguridad incluido con el televisor. Para mejorar la estabilidad y la seguridad, puede adquirir un dispositivo antivuelco e instalarlo como se explica en "Para impedir que el televisor se caiga."



ADVERTENCIA: Nunca coloque un televisor en una ubicación inestable. El televisor podría caer y causar lesiones personales graves o incluso la muerte. Muchas lesiones, en especial en el caso de los niños, pueden evitarse tomando sencillas precauciones como las siguientes:

Para impedir que el televisor se caiga



- Use los tornillos adecuados, ajuste firmemente los soportes a la pared. Confirme que los tornillos estén bien fijados a la pared.
 - Es posible que necesite materiales adicionales, como anclajes, según el tipo de pared.
- Use los tornillos del tamaño adecuado, ajuste firmemente los soportes al televisor.
 - Para las especificaciones de los tornillos, vea el tornillo estándar en la tabla en la Guía rápida de configuración.
- Conecte los soportes fijados al televisor y los soportes fijados a la pared con una cadena duradera y resistente y ténsela firmemente.
 - Instale el televisor cerca de la pared para evitar que se caiga hacia atrás.
 - Conecte la cadena de modo que los soportes fijados a la pared estén a la misma altura o más bajos que los fijados al televisor.

- Utilice gabinetes o soportes recomendados por Samsung.
- Utilice muebles capaces de soportar el peso del televisor.
- Asegúrese de que el televisor no sobresalga en exceso del borde del mueble.
- Eduque a los niños acerca de los peligros de subirse al mueble al televisor, le recomendamos que use únicamente las piezas proporcionadas por Samsung Electronics. Si utiliza piezas proporcionadas por otro fabricante, podría tener problemas con el producto o sufrir una lesión debido a la caída del producto.
- No coloque el televisor en una ubicación inestable.
- No coloque el televisor sobre muebles altos (por ejemplo, estantes o librerías) sin haber anclado el mueble y el televisor en un soporte adecuado.
- No coloque el televisor sobre una tela u otro material similar entre el televisor y el mueble.
- No coloque elementos que puedan invitar a los niños a treparse, tales como juguetes o controles remotos, a la parte superior del televisor o al mueble sobre el que se coloca el televisor.

Si va a reubicar el televisor actual, deberá aplicar las mismas consideraciones anteriores.

- Cuando deba reubicar el televisor o levantarlo para reemplazo o limpieza, asegúrese de no retirar el soporte.

Reducción del consumo de energía

Cuando el televisor se apaga, entra en modo en espera. En el modo en espera, continúa consumiendo una pequeña cantidad de energía. Para disminuir el consumo de energía desenchufe el cable de alimentación cuando no vaya a usar el televisor durante un tiempo prolongado.

Licencias

Dolby Audio

POWERED BY

QUICK SET

HEVC Advance[™]
Covered by Patents at patentlis.hevcadvance.com

HDMI[™]
REGISTERED TRADEMARK AND SERVICE MARK

The terms HDMI and HDMI High-Definition Multimedia Interface, and the HDMI Logo are trademarks or registered trademarks of HDMI Licensing Administrator, Inc. in the United States and other countries.