

FRIGIDAIRE

affinity



Front Load Dryers

FASG7073L R/N/A/W

10 Dry Cycles
7.0 Cu. Ft. Gas



Optional SpaceWise™ Pedestal Drawer Shown

Signature Features



Ready Steam™

Removes wrinkles and refreshes clothes.



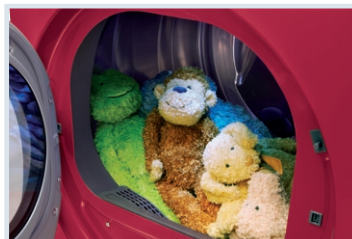
Ultra-Capacity Dryer

The largest in its class¹, so you can finish more laundry, even faster.



DrySense™ Technology

Dries your clothes more precisely, reducing wrinkles.



Specialty Cycles

Dry everything from teddy bears to pet beds and active wear.

Product Dimensions

| | |
|--------|----------|
| Height | 36" |
| Width | 27" |
| Depth | 30-5/16" |

More Easy To Use Features

Specialty Options

Dry special items, prevent static and reduce allergens.

Energy Saver Option

Reduces energy use up to 35%.²

Useful Dryer Options

Anti-Static, Line Dry, Delay Start and Wrinkle Release Technology.

Allergen Cycle

SilentDesign™ Ultra
for quiet operation.

Moisture Sensor

Optional SpaceWise™
Pedestal Drawer

Express-Select™ Controls

Easily select options with the touch of a button.

Delay Start 1 to 12 Hours

Sanitize Option

Sanitize without washing.

Reversible Door



NSF® International Certification

Available in:



Classic Red (R)



Classic Blue (N)



Classic Silver (A)



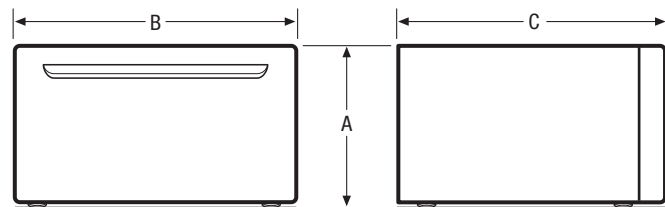
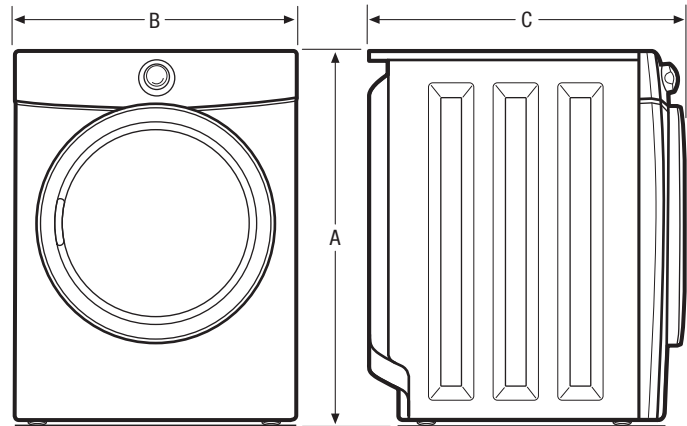
Classic White (W)

¹Based on I.E.C. std. 60456 4th Edition for dryers 37" or less in height and 27" or less in width.

²Based on a 3 lb. delicate AHAM load as compared to not using energy saver option for the same model.

| Features | |
|---|---------------------|
| Total Capacity (Cu.Ft.) | 7.0 |
| Controls | Express-Select™ |
| Dryer Drum Interior | Stainless Steel |
| Interior Light | Yes |
| Door Trim | Chrome |
| Ready Steam™ | Yes |
| DrySense™ Technology | Yes |
| Wrinkle Release Technology | |
| TimeWise™ Technology | Yes |
| Moisture Sensor | Yes |
| Time Remaining Indicator | Yes |
| Cycle Status Lights | Yes |
| Cycle Signal | Music |
| Cycle Signal "On/Off" | |
| Cycle Signal Volume Control | Yes |
| Control Lock | Yes |
| Start/Pause/Cancel Buttons | Yes |
| Energy Saver Option | Yes |
| Delay Start | 1 to 12 Hours |
| Tumble Speed (RPM) | 50 |
| Reversible Door | Yes |
| Lint Screen | Yes |
| Sound Package | SilentDesign™ Ultra |
| Adjustable Leveling Legs | Yes |
| Cycles | |
| Dry Cycles | 13 |
| Specialty Cycles | 4 |
| Options | |
| Temperature Selections | 5 |
| Dryness Level Selections | 5 |
| Timed Dry | 15, 30, 45, 90 |
| Optional Accessories | |
| Dryer Stacking Kit | PN# STACKIT4X |
| 15" Frigidaire Affinity® Pedestal Drawers | |
| Classic Red (R) | (R) PN# CFPWD15R |
| Classic Blue (N) | (N) PN# CFPWD15N |
| Classic Silver (A) | (A) PN# CFPWD15A |
| Classic Black (B) | |
| Classic White (W) | (W) PN# CFPWD15W |
| Mobile Home Installation Kit | PN# 137067200 |
| LP Gas Conversion Kit | PN# PCK4200 |
| Drying Rack | PN# 137067300 |
| Certifications | |
| NSF® Certified Sanitize | Yes |
| Specifications | |
| Gas Connection | Left Bottom Rear |
| Power Cord Location | Right Bottom Rear |
| Voltage Rating | 120V/60Hz/15A |
| Connected Load (kW Rating) @ 120 Volts¹ | 0.5 |
| Amps @ 120 Volts | 7 |
| Heating Element (BTU/HR) | 20,000 |
| Shipping Weight (Approx.) | 140 Lbs. |

¹For use on adequately wired 120V, dedicated circuit having 2-wire service with a separate ground wire. Appliance must be grounded for safe operation.



NOTE: For planning purposes only. Always consult local and national electric, gas and plumbing codes. Refer to Product Installation Guide on the web at frigidaire.com for detailed instructions.



| Product Dimensions | |
|--------------------------|----------|
| A - Height (Single) | 36" |
| Height (Stacked) | 71-1/2" |
| B - Width | 27" |
| C - Depth | 30-5/16" |
| Depth with Door Open 90° | 51-7/16" |
| Pedestal Dimensions | |
| A - Height | 15-1/4" |
| B - Width | 27" |
| C - Depth | 26-1/4" |

Accessories information available on the web at frigidaire.com