

KitchenAid® 36" and 48" Hood Liner

PRODUCT MODEL NUMBERS

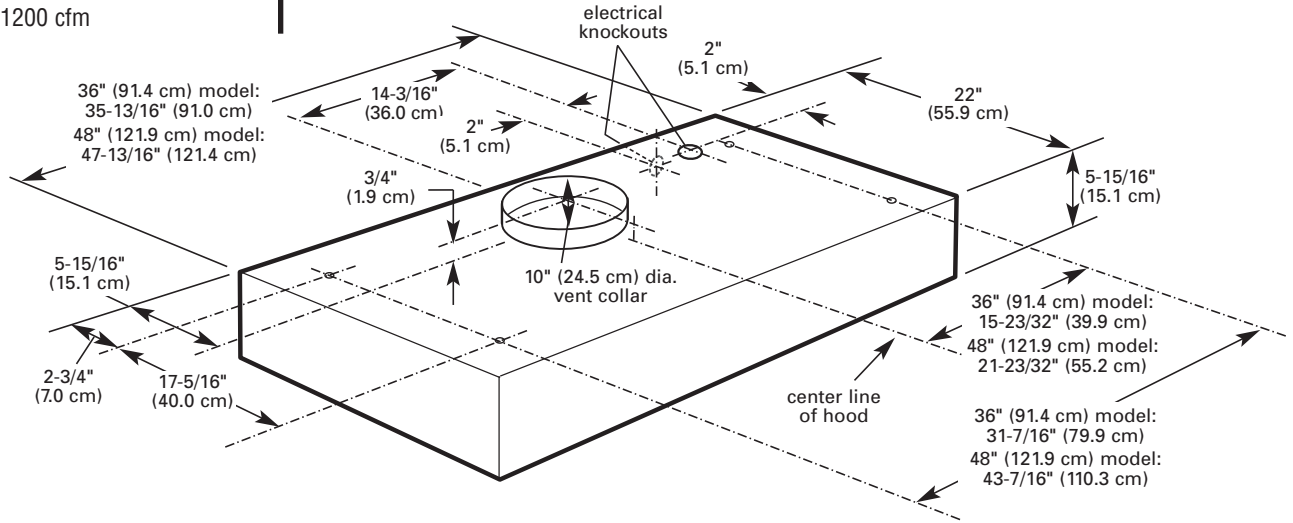
KHLU162M
KHLU182M

Electrical: 120-volt, 60-Hz, AC-only, 15-amp. electrical supply. Use copper wire only. A time-delay fuse or circuit breaker and separate circuit is recommended.

This hood liner must be used with Exterior Blower Models:

KPEC992M rated for 900 cfm
(25.5 cm/m) or,
KPEU722M rated for 1200 cfm
(34.0 cm/m).

OVERALL DIMENSIONS



CABINET DIMENSIONS

