

### WARNING

- Dryer must be properly grounded at all times.
- Vent dryer through free-flowing, outdoor-vented, metal duct system.
- Improper gas installation or LP conversion could result in injury or even death.
- Avoid back or other injury. Use more than one person to move, tip or lift the dryer.

### IMPORTANT

Please read all safety instructions before using your new front-loading dryer. For best drying results with your new dryer, remember to review:

- ✓ **INSTALLATION INSTRUCTIONS**
- ✓ **USE & CARE GUIDE**

### NOTE TO INSTALLER

Leave these instructions with the customer.

### REMARQUE POUR L'INSTALLATEUR

Laissez ces instructions au client.

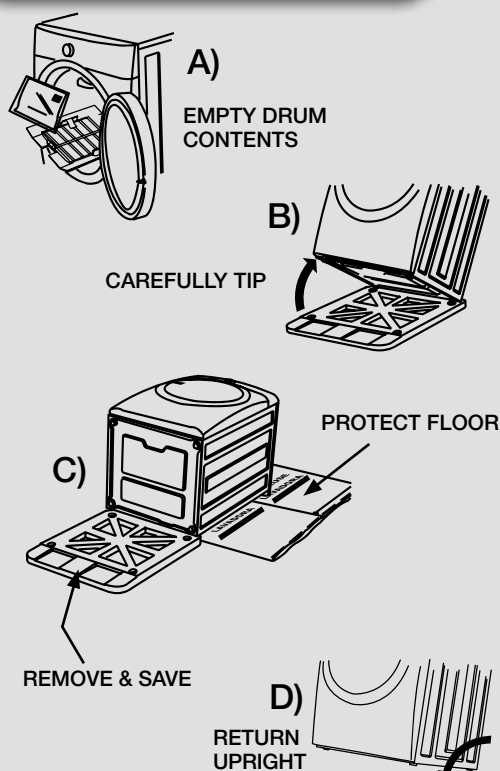
Suite de la version française au verso.

### NOTA AL INSTALADOR

Deje estas instrucciones con el cliente.

Español continúa en la página trasera.

## 1 UNPACKING & HANDLING



## 2 VENT EXHAUST

- USE ONLY 4 INCH (10.2 CM) RIGID METAL OR SEMI-RIGID METAL DUCTING
- REPLACE PLASTIC OR FOIL DUCTS WITH METAL
- CLEAN LINT FROM PRESENT DUCT SYSTEM BEFORE ADDING ON
- SEE CHART TO THE RIGHT FOR ACCEPTABLE NUMBER OF 90° TURNS IN SYSTEM
- DO NOT USE SCREWS TO CONNECT DUCTS
- DO NOT USE REGULAR DUCT TAPE TO CONNECT DUCTS, ONLY METAL FOIL TAPE
- 4" (10.2 cm) CLAMP RECOMMENDED FOR CONNECTION BETWEEN DRYER & EXHAUST SYSTEM
- EXHAUST SYSTEM MUST BE VENTED OUTSIDE WITH APPROVED VENT HOOD

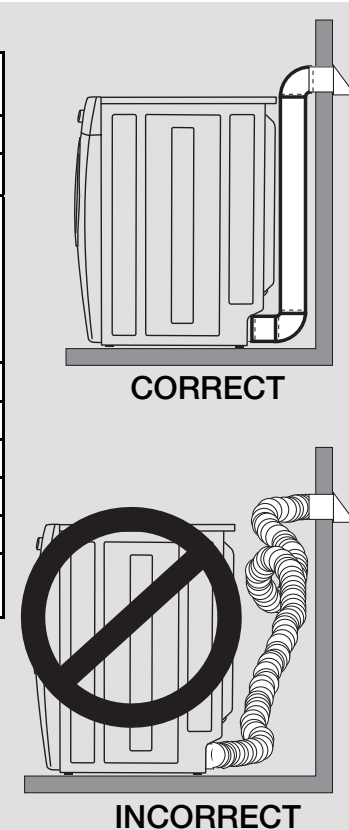
- TO VENT LEFT OR RIGHT FROM DRYER, USE 90° QUICK-TURN ELBOW
- FOR INSTALLATION IN A RECESSED AREA OR CLOSET, SEE COMPLETE INSTALLATION INSTRUCTIONS
- FOR MOBILE HOME INSTALLATION, SEE COMPLETE INSTALLATION INSTRUCTIONS

Number of 90° turns	MAXIMUM LENGTH of 4" (10.2cm) Rigid Metal Duct		
	VENT HOOD TYPE		
	(Preferred)		
		louvered	
0	125 ft. (38.0m)		110 ft. (33.5m)
1	115 ft. (35.0m)		100 ft. (30.5m)
2	105 ft. (32.0m)		90 ft. (27.5m)
3	95 ft. (29.0m)		80 ft. (24.5m)
4	85 ft. (26.0m)		70 ft. (21.5m)

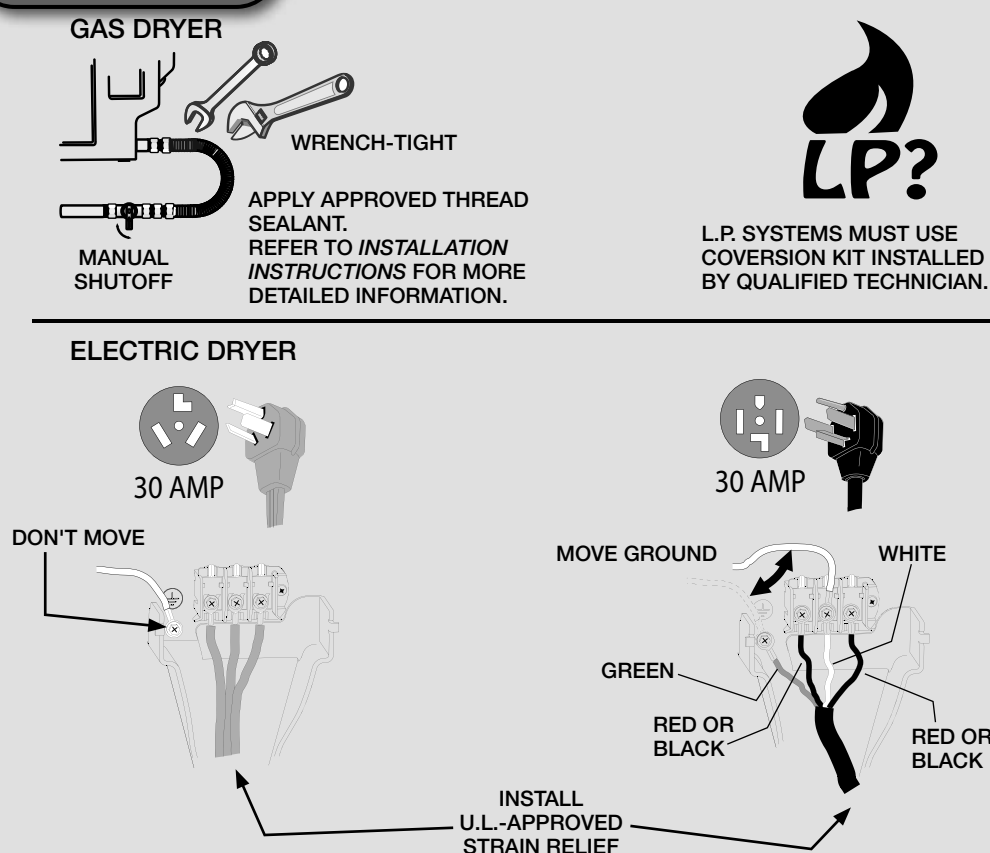
\*Do not install plastic or foil ducting. If installing semi-rigid ducting, do not exceed 8 ft (2.4 m) total duct length.

### IMPORTANT

For pedestal, stacked or closet installations, see detailed installation instructions enclosed.

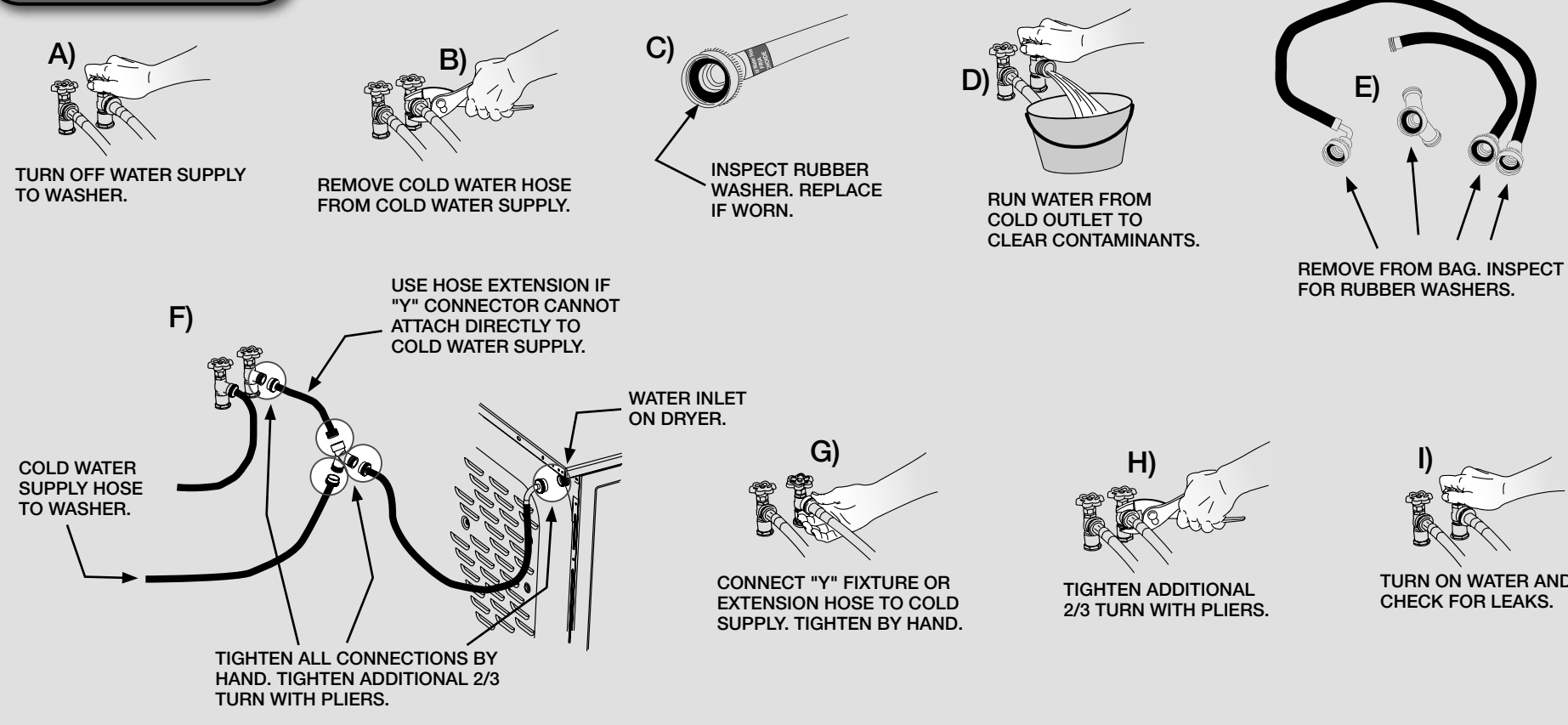


## 3 HEAT SOURCE

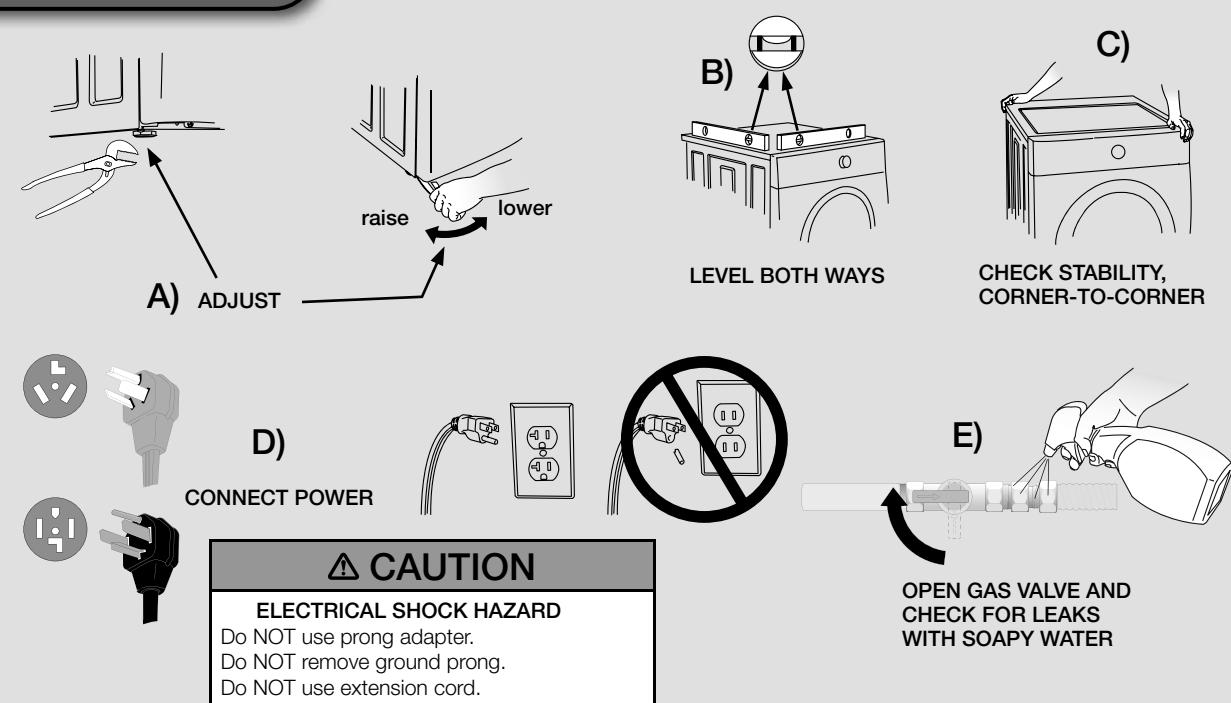


## 4 CONNECT WATER

IF THIS IS NOT A STEAM DRYER, SKIP TO STEP 5.



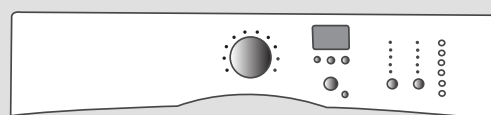
## 5 LEVEL & CONNECT



## 6 OPERATE

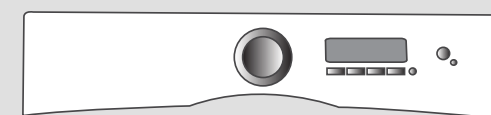
Perform brief installation cycle for your model as follows:

If dryer has this console:

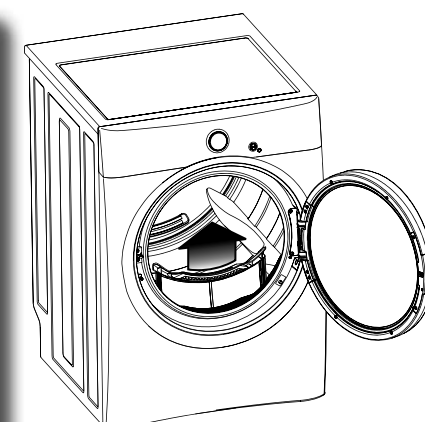


1. Empty dryer drum and close door.
2. Wake dryer up (any button), rotate cycle knob to **touch up**, press **start** then **cancel**.
3. Wake dryer up again, immediately and simultaneously press and hold **sanitize** and **my favorite** buttons for **5 seconds**.
4. LCD will display **INSTAL CYCLE** and show estimated time of cycle completion. Press **start**.
5. Installation Cycle will perform various diagnostic routines.
6. At cycle completion, LCD will display **INSTAL PASS!** or prompt an action during cycle such as **SERVICE CORD, NO GAS** or **CALL SERVICE 877 435 3287**.
7. Dryer will exit the Installation Cycle and return to normal operation next time you wake it up. Read Use and Care Guide and enjoy your new premium dryer!

If dryer has this console:



1. Empty washer drum and close door.
2. Wake up the dryer by pressing any button and then follow the prompts on the LCD User Interface, including language selection. **NOTE:** this initial, automatic cycle can be manually accessed through the scroll buttons in the **set prefs** sections under **options**.
3. LCD will display **INSTAL CYCLE** and show estimated time of cycle completion. Press **start**.
4. Installation Cycle will perform various diagnostic routines.
5. At cycle completion, LCD will display **INSTAL PASS!** or prompt an action during cycle such as **SERVICE CORD, NO GAS** or **CALL SERVICE 877 435 3287**.
6. Dryer will exit the Installation Cycle and return to normal operation next time you wake it up. Read Use and Care Guide and enjoy your new premium dryer!



**CLEAN LINT FILTER AFTER EVERY LOAD.**

**NETTOYEZ LE FILTRE À CHARPIE APRÈS CHAQUE SÉCHAGE.**

**LIMPIE EL FILTRO DE PELUSAS DESPUÉS DE CADA CARGA.**

