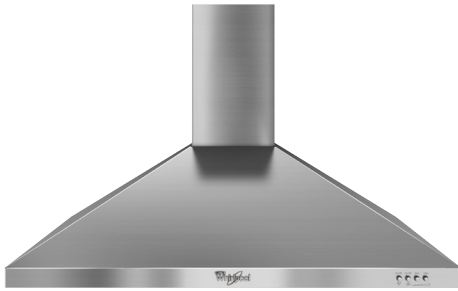




36" Wall-Mount Canopy Hood

GXW7336DX



Stainless Steel
GXW7336DXS

General Features & Properties

Damper Included

Optional Chimney Extension Kit Available

Electrical Details

Amps 15

Volts 120

Certifications

Star-K Certified/Kosher Yes

Technical Details

Blower Power	Centrifugal
Hood Type	Wall Canopy
CFMs	300
Lighting Type	Fluorescent
Number of Speeds	3
Venting Type	Exterior or Recirculating

Dimensions

Product Dimensions (H x W x D)	28-7/8" x 36" x 20"
-----------------------------------	---------------------------

Reference Material

[Dimension Guide](#)

[Install Guide](#)

[Use & Care Guide](#)

[Warranty](#)

Key Features & Benefits

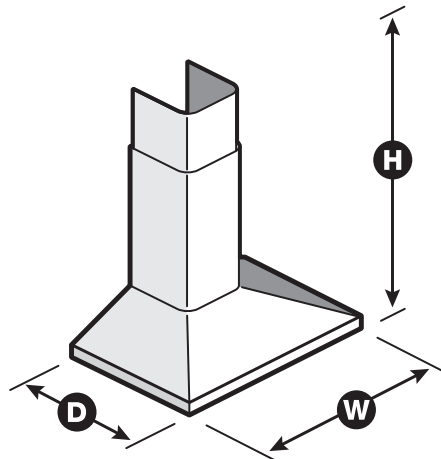
3-speed 300 CFM Fan

Three fan speeds provide the right amount of ventilation for every meal you prepare.

Fluorescent Lighting

Dishwasher-Safe Mesh Filters

Dishwasher-safe filters trap unwanted grease and odors and wash easily for reuse.



NOTE: Dimensions are for planning purposes only. For complete details, see Installation Instructions packed with product. Specifications subject to change without notice.

®/™ © 2020. All rights reserved. Printed in the U.S.A. D200104XXE. GXW7336DXSpecSheetV01.