

# BUILT-IN ELECTRIC SINGLE AND DOUBLE OVEN OWNER'S MANUAL

## FOURS ENCASTRÉS SIMPLE ET DOUBLE MANUEL DU PROPRIÉTAIRE

### HORNO ELÉCTRICO SIMPLE O DOBLE INTEGRADO MANUAL DEL PROPIETARIO

---

#### Table of Contents/Table des matières/Índice

<b>BUILT-IN OVEN SAFETY</b> .....2	<b>SÉCURITÉ DU FOUR ENCASTRÉ</b> ..... 21	<b>SEGURIDAD DEL HORNO INTEGRADO</b> ..... 43
Built-In Oven Safety .....2	Sécurité du four encastré..... 21	Seguridad del horno integrado..... 43
<b>OVEN MAINTENANCE AND CARE</b> .....4	<b>ENTRETIEN ET RÉPARATION DU FOUR</b> ..... 23	<b>MANTENIMIENTO Y CUIDADO DEL HORNO</b> ..... 45
General Cleaning.....4	Nettoyage général ..... 23	Limpieza general ..... 45
Self-Cleaning Cycle.....5	Programme d'autonettoyage ..... 24	Ciclo de autolimpieza..... 46
Steam Clean (on some models) .....6	Steam Clean (nettoyage à la vapeur) (sur certains modèles) ..... 26	Steam Clean (Limpieza con vapor) (en algunos modelos) ..... 47
<b>INSTALLATION INSTRUCTIONS</b> .....6	<b>INSTRUCTIONS D'INSTALLATION</b> ..... 26	<b>INSTRUCCIONES DE INSTALACIÓN</b> ..... 48
<b>REQUIREMENTS</b> .....6	<b>SPÉCIFICATIONS</b> ..... 26	<b>REQUISITOS</b> ..... 48
Tools and Parts .....6	Outils et pièces..... 26	Herramientas y piezas ..... 48
Location Requirements .....6	Exigences d'emplacement..... 27	Requisitos de ubicación ..... 48
<b>INSTALLATIONS</b> ..... 12	Spécifications électriques ..... 33	Requisitos eléctricos ..... 54
Prepare Built-In Oven ..... 12	<b>INSTALLATIONS</b> ..... 33	<b>INSTALACIONES</b> ..... 54
Remove Oven Door(s) ..... 12	Préparer le four encastré ..... 33	Preparación del horno empotrado ..... 54
Positioning Oven Feet for Multiple Cabinet Cutout Heights ..... 13	Enlever la/les porte(s) du four ..... 34	Retire las puertas del horno ..... 54
Make Electrical Connection..... 17	Positionner les pieds du four pour des ouvertures de découpe dans l'armoire ..... 34	Ubicación de las patas del horno para múltiples alturas de corte del armario..... 55
Install Oven ..... 18	Raccordement électrique..... 38	Cómo hacer la conexión eléctrica ..... 59
Replace Oven Door(s) ..... 19	Installation du four..... 40	Para instalar el horno..... 61
Complete Installation ..... 20	Réinstallation de la/des porte(s) du four..... 41	Vuelva a colocar las puertas del horno ..... 62
	Achever l'installation..... 42	Finalización de la instalación ..... 63

**IMPORTANT:**

Save for local electrical inspector's use.

**IMPORTANT :**

À conserver pour consultation par l'inspecteur local des installations électriques.

**IMPORTANTE:**

Guarde para tener a disposición del inspector de electricidad local.

# BUILT-IN OVEN SAFETY

## Your safety and the safety of others are very important.

We have provided many important safety messages in this manual and on your appliance. Always read and obey all safety messages.



This is the safety alert symbol.

This symbol alerts you to potential hazards that can kill or hurt you and others.

All safety messages will follow the safety alert symbol and either the word "DANGER" or "WARNING." These words mean:

**▲ DANGER**

**You can be killed or seriously injured if you don't immediately follow instructions.**

**▲ WARNING**

**You can be killed or seriously injured if you don't follow instructions.**

All safety messages will tell you what the potential hazard is, tell you how to reduce the chance of injury, and tell you what can happen if the instructions are not followed.

## IMPORTANT SAFETY INSTRUCTIONS

**WARNING:** To reduce the risk of fire, electric shock, or injury to persons when using the appliance, follow basic precautions, including the following:

- Proper Installation - The appliance, when installed, must be electrically grounded in accordance with local codes, or in the absence of local codes, with the *National Electrical Code, ANSI/NFPA 70* or the *Canadian Electrical Code, CSA C22.1-02*. In Canada, the appliance must be electrically grounded in accordance with Canadian Electrical Code. Be sure your appliance is properly installed and grounded by a qualified technician.
- Never Use Your Appliance for Warming or Heating the Room.
- Do Not Leave Children Alone - Children should not be left alone or unattended in area where appliance is in use. They should never be allowed to sit or stand on any part of the appliance.
- Wear Proper Apparel – Loose-fitting or hanging garments should never be worn while using the appliance.
- User Servicing – Do not repair or replace any part of the appliance unless specifically recommended in the manual. All other servicing should be referred to a qualified technician.
- Storage in or on Appliance – Flammable materials should not be stored in an oven or near surface units.
- This appliance is not intended for storage.
- Do Not Use Water on Grease Fires – Smother fire or flame or use dry chemical or foam-type extinguisher.
- Do not use replacement parts that have not been recommended by the manufacturer (e.g. parts made at home using a 3D printer).
- Use Only Dry Potholders – Moist or damp potholders on hot surfaces may result in burns from steam. Do not let potholder touch hot heating elements. Do not use a towel or other bulky cloth.
- Use Care When Opening Door – Let hot air or steam escape before removing or replacing food.
- DO NOT TOUCH HEATING ELEMENTS OR INTERIOR SURFACES OF OVEN – Heating elements may be hot even though they are dark in color. Interior surfaces of an oven become hot enough to cause burns. During and after use, do not touch, or let clothing or other flammable materials contact heating elements or interior surfaces of oven until they have had sufficient time to cool. Other surfaces of the appliance may become hot enough to cause burns – among these surfaces are the coil and cooktop elements, oven vent openings and surfaces near these openings, oven doors, and windows of oven doors.
- Do Not Heat Unopened Food Containers – Build-up of pressure may cause container to burst and result in injury.
- Keep Oven Vent Ducts Unobstructed.
- Placement of Oven Racks – Always place oven racks in desired location while oven is cool. If rack must be moved while oven is hot, do not let potholder contact hot heating element in oven.

**SAVE THESE INSTRUCTIONS**

## IMPORTANT SAFETY INSTRUCTIONS

**WARNING:** To reduce the risk of fire, electric shock, or injury to persons when using the appliance, follow basic precautions, including the following:

### For self-cleaning ovens:

- Do Not Clean Door Gasket – The door gasket is essential for a good seal. Care should be taken not to rub, damage, or move the gasket.
- Do not use a protective coating to line the oven and do not use commercial oven cleaner unless Certified for use in a self-cleaning oven.
- Clean Only Parts Listed.

**CAUTION:** DO NOT LEAVE FOOD OR COOKING UTENSILS, ETC., IN OVEN DURING THE PYROLYTIC SELF-CLEANING MODE OF OPERATION.

- Before Self-Cleaning the Oven – Remove broiler pan and other utensils, and wipe off all excessive spillage.

### For smart enabled ranges and ovens:

- Remote Operation – This appliance is configurable to allow remote operation at any time. Do not store any flammable materials or temperature sensitive items inside, on top or near surface units of the appliance.

## SAVE THESE INSTRUCTIONS

### Internet Connectivity Guide for Connected Appliances Only

**IMPORTANT:** Proper installation of your appliance prior to use is your responsibility. Be sure to read and follow the installation instructions that came with your appliance.

Connectivity requires Wi-Fi and account creation. App features and functionality are subject to change. Data rates may apply. Once installed, launch the app. You will be guided through the steps to set up a user account and to connect your appliance.

#### You Will Need:

- A home wireless router supporting Wi-Fi, 2.4 Ghz with WPA2 security. If you are unsure of your router's capabilities, refer to the router manufacturer's instructions.
- The router to be on and have a live internet connection.
- The 10-character SAID code for your appliance. The SAID code is either printed on a label on the appliance or found on the LCD screen.

#### Federal Communications Commission (FCC) Compliance Notice

This device complies with Part 15 of the FCC Rules. Operation is subject to the following two conditions:

1. This device may not cause harmful interference, and
2. This device must accept any interference received, including interference that may cause undesired operation.

Changes or modifications not expressly approved by the party responsible for compliance could void the user's authority to operate the equipment.

#### Industry Canada (IC) Compliance Notice

This Device complies with Industry Canada License-exempt RSS standard(s). Operation is subject to the following two conditions:

1. This device may not cause interference.
2. This device must accept any interference, including interference that may cause undesired operation of the device.

Under Industry Canada regulations, this radio transmitter may only operate using an antenna of a type and maximum (or lesser) gain approved for the transmitter by Industry Canada. To reduce potential radio interference to other users, the antenna type and its gain should be so chosen that the equivalent isotropically radiated power (e.i.r.p.) is not more than that necessary for successful communication.

To comply with FCC and Industry Canada RF radiation exposure limits for general population, antenna(s) used for this transmitter must be installed such that a minimum separation distance of 20 cm is maintained between the radiator (antenna) and all persons at all times and must not be co-located or operating in conjunction with any other antenna or transmitter.

If this equipment does cause harmful interference to radio or television reception, which can be determined by turning the equipment off and on, the user is encouraged to try to correct the interference by one of the following measures:

- Reorient or relocate the receiving antenna.
- Increase the separation between the equipment and receiver.
- Connect the equipment into an outlet on a circuit different from that to which the receiver is connected.
- Consult the dealer or an experienced radio/TV technician for help.

# OVEN MAINTENANCE AND CARE

## General Cleaning

**IMPORTANT:** Before cleaning, make sure all controls are OFF and the oven is cool. Always follow label instructions on cleaning products.

Soap, water, and a soft cloth or sponge are suggested first unless otherwise noted.

### EXTERIOR PORCELAIN ENAMEL SURFACES (On some models)

Food spills containing acids, such as vinegar and tomato, should be cleaned as soon as the entire oven is cool. These spills may affect the finish.

#### Cleaning Method:

- Glass cleaner, mild liquid cleaner, or nonabrasive scrubbing pad:  
Gently clean around the model/serial/rating plate because scrubbing may remove numbers.
- Affresh®† Kitchen and Appliance Cleaner Part Number W10355010 (not included):  
See the Quick Start Guide for ordering information.

### STAINLESS STEEL (On some models)

**NOTE:** To avoid damage to stainless steel surfaces, do not use soap-filled scouring pads, abrasive cleaners, steel-wool pads, gritty washcloths, or abrasive paper towels. Damage may occur to stainless steel surfaces, even with one-time or limited use.

#### Cleaning Method:

Rub in direction of grain to avoid damaging.

- Affresh® Stainless Steel Cleaner Part Number W10355016 (not included):  
See the Quick Start Guide for ordering information.

### STAINLESS STEEL AND BLACK STAINLESS STEEL (On some models)

To avoid damage to stainless steel or black stainless steel surfaces, do not use soap-filled scouring pads, abrasive cleaners, cooktop cleaner, steel-wool pads, gritty washcloths, or abrasive paper towels.

#### Cleaning Method:

Rub in direction of grain to avoid damaging.

- Affresh® Stainless Steel Cleaner Part Number W10355016 (not included) or affresh® Stainless Steel Cleaning Wipes Part Number W10355049 (not included):  
See the Quick Start Guide for ordering information.

### METALLIC PAINT (On some models)

Do not use abrasive cleaners, cleaners with bleach, rust removers, ammonia, or sodium hydroxide (lye) because paint surface may stain.

### CONTROL PANEL AND OVEN DOOR EXTERIOR

To avoid damage to the control panel, do not use abrasive cleaners, steel-wool pads, gritty washcloths, or abrasive paper towels.

#### Cleaning Method:

- Glass cleaner and soft cloth or sponge:  
Apply glass cleaner to soft cloth or sponge, not directly on panel.
- Affresh® Kitchen and Appliance Cleaner Part Number W10355010 (not included):  
See the Quick Start Guide for ordering information.

**NOTE:** To clean the trough, the oven door must be removed first. See the “Oven Door” section.

### OVEN RACKS

#### Cleaning Method:

- Steel-wool pad.
- For racks that have discolored and are harder to slide, a light coating of vegetable oil applied to the rack guides will help them slide.

### OVEN CAVITY OVEN DOOR INTERIOR

Do not use oven cleaners.

Food spills should be cleaned after the oven cools. At high temperatures, foods react with porcelain, and staining, etching, pitting, or faint white spots can result.


#### Cleaning Method:

- Self-Cleaning cycle:  
See the “Self-Cleaning Cycle” section first. Remove racks or they will discolor and become harder to slide. If this happens, a light coating of vegetable oil applied to the rack guides will help them slide.
- For optimal door cleaning results, wipe away any deposits with a damp sponge before running cycle.

### +POWERED ATTACHMENTS (On some models)

To avoid damage to the nonstick surfaces, do not use abrasive cleaners, steel-wool pads, gritty washcloths, or abrasive paper towels. Food spills should be cleaned when the +Powered Attachment cools.

**⚠ WARNING**



**Electrical Shock Hazard**

**Do not immerse heating element in water or place in dishwasher.**

**Doing so can result in death or electrical shock.**

Do not soak or immerse the Heating Element.

#### Cleaning Method:

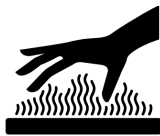
- Soap, water, and a soft cloth or sponge: Wipe the Heating Element when it is cool. All attachments can be cleaned with soap, water, and a soft cloth or sponge.
- Dishwasher: The Base Pan, +Grill Attachment, +Baking Stone Attachment, and +Steamer Attachment are dishwasher-safe.
- Affresh® Cooktop Cleaner: Stubborn soils on the +Baking Stone Attachment can be cleaned with baking soda and a non scratch heavy duty scrub sponge. Rub cream into surface with a damp paper towel or soft cloth. Continue rubbing until white film disappears.

See the Smart Oven+ Powered Attachments User Instructions for more detailed instructions.

†Affresh® is a registered trademark of Whirlpool, U.S.A.

## Self-Cleaning Cycle

### ⚠ WARNING



#### Burn Hazard

**Do not touch the oven during the Self-Cleaning cycle.**

**Keep children away from the oven during Self-Cleaning cycle.**

**Failure to follow these instructions can result in burns.**

**IMPORTANT:** The health of some birds is extremely sensitive to the fumes given off during the Self-Cleaning cycle. Exposure to the fumes may result in death to certain birds. Always move birds to another closed and well-ventilated room.

Self-clean the oven before it becomes heavily soiled. Heavy soil results in longer cleaning and more smoke.

Keep the kitchen well-ventilated during the Self-Cleaning cycle to help get rid of heat, odors, and smoke.

Do not block the oven vent(s) during the Self-Cleaning cycle. Air must be able to move freely. See the "Oven Vents" section.

Do not clean, rub, damage, or move the oven door gasket. The door gasket is essential for a good seal.

#### Prepare Oven:

- Remove the broiler pan, grid, cookware and bakeware, and, on some models, the temperature probe from the oven.
- Remove oven racks to keep them shiny and easy to slide. See the "General Cleaning" section for more information.
- Remove any foil from the oven because it may burn or melt, damaging the oven.
- Hand clean inside door edge and the 1½" (3.8 cm) area around the inside oven cavity frame, being certain not to move or bend the gasket. This area does not get hot enough during high-temp self-cleaning to remove soil. Do not let water, cleaner, etc., enter slots on door frame. Use a damp cloth to clean this area.
- Wipe out any loose soil to reduce smoke and avoid damage. At high temperatures, foods react with porcelain. Staining, etching, pitting, or faint white spots can result. This is normal and will not affect cooking performance.

#### IMPORTANT:

- Oven temperature must be below 500°F (260°C) to program a clean cycle.
- For double ovens only: Only 1 oven can be cleaned at a time.
- For double ovens only: Both oven doors will lock when either oven is running the Self-Cleaning cycle.

#### How the Cycle Works

**IMPORTANT:** The heating and cooling of porcelain on steel in the oven may result in discoloring, loss of gloss, hairline cracks, and popping sounds.

The Self-Cleaning cycle uses very high temperatures, burning soil to a powdery ash.

**NOTE:** 12 hours must pass before the next Self-Clean can begin.

Once the oven has completely cooled, remove ash with a damp cloth. To avoid breaking the glass, do not apply a cool damp cloth to the inner door glass before it has completely cooled.

The oven lights will not work during the Self-Cleaning cycle.

**NOTE:** The oven has a two-speed cooling fan motor. During the Self-Cleaning cycle, the fan(s) will operate at its highest speed to increase airflow to better exhaust the hotter air through the oven vent(s). An increase in noise may be noticeable during and after the Self-Cleaning cycle until the oven cools.

Before Self-Cleaning, make sure the door is closed completely or it will not lock and the cycle will not begin. When the oven is locked, the doors of the oven cannot be opened. To avoid damage to the doors, do not force the doors open when the oven is locked.

#### To Self-Clean:

**NOTE:** For specific instructions on your model's Self-Clean cycle, please see your model's online Control Guide.

1. Close door, and (for select models) Touch the Tools keypad.
  2. Select Self-Clean icon.
  3. (For Double-Ovens) Select Upper Cavity or Lower Cavity. On some models, select the "1" or "2" number keypad to select desired oven to clean.
  4. Select duration or level of cleaning. This will impact the duration which can range from 3 to 6 hours including cool down. If this model offers "Steam Clean" please check the "Steam Clean" section.
  5. (On select models) follow the prompts on the oven display to prepare the oven.
  6. Select Start OR (on select models) select Delay Start to set a delayed Self-Cleaning cycle. See the "To Delay Start Self-Cleaning Cycle" section. The oven doors will automatically lock.
- NOTE:** It may take a couple moments for the oven door to automatically lock after starting the Self-Clean Cycle. The doors will automatically unlock once the Self-Cleaning cycle is complete and the oven is cool.
7. When the oven is completely cooled, remove ash with a damp cloth.

#### Delay Start: (On select models)

Depending on your model, your oven may be able to Delay Start the Self-Cleaning cycle. You may be able to use one of the methods listed below.

**NOTE:** For specific instructions on your model's Delay Start Self-Clean cycle, please see your model's online Control Guide.

#### Version A:

1. Follow steps 1-5 in the "To Self-Clean" section.
2. Select Delay Start.
3. Select the start time of when the Self-Cleaning cycle should begin by scrolling from left to right.
4. Select Start Delay.

The oven doors will automatically lock after the Delay Start countdown. When the Self-Cleaning cycle is complete and the oven cools, the oven doors will unlock.

5. When the oven is completely cooled, remove ash with a damp cloth.

#### Version B:

1. Close the oven doors, and then press Delay Start.
2. (For Double-Ovens) Select Upper Cavity or Lower Cavity. On some models, select the "1" or "2" number keypad to select the desired oven to clean.
3. Select the number keypads to enter the desired amount of time by which you want to delay the start.
4. Press Self Clean.
5. Select level of cleaning.
6. Select Start for the selected oven.

The oven doors will automatically lock after the Delay Start countdown.

When the Self-Cleaning cycle is complete and the oven cools, the oven doors will unlock.

- When the oven is completely cooled, remove ash with a damp cloth.

#### To Stop Self-Cleaning Anytime:

Touch the Oven Cancel Keypad for single oven models, or the keypads for double oven models. If the oven temperature is too high, the door will remain locked. It will not unlock until the oven cools.

## Steam Clean (on some models)

The Steam Clean feature is designed for light oven cavity bottom cleaning on models that have hidden bake in both ovens.

Allow the oven to cool to room temperature before using the Steam Clean feature. If your oven cavity is above 200°F (93°C), the Steam Clean feature will not activate until it cools down.

Remove all racks and accessories from the oven cavity.

For best results, use 10 oz (295.7 mL) of distilled or filtered water. Do not use oven cleaners.

The Steam Clean feature will take approximately 1 hour. A tone will sound at the end of the cycle.

**IMPORTANT:** Because the water in the oven bottom is hot, do not open the oven door during the Steam Clean cycle.

Touch the Oven Cancel keypad for single oven models and the Upper/Lower keypads for double oven models at any time to end the cycle. The display will return to the time of day.

#### Helpful Hints

- Once the Steam Clean cycle is complete and the oven is completely cooled, remove all remaining water in the bottom of the oven with a sponge or cloth.
- Wipe any remaining moisture from the oven door interior, oven cavity interior sides, and cooktop.
- Use a soft brush or nylon scrubber to wipe the oven interior. This may help with more stubborn stains.
- It is recommended to use distilled or filtered water, as tap water may leave mineral deposits on the oven bottom. Use a cloth soaked with vinegar or lemon juice to remove any mineral deposits that may be left after the Steam Clean cycle.
- If the oven is heavily soiled, use the Self-Cleaning cycle. The Steam Clean cycle may be used first to eliminate most of the debris, resulting in a more effective self-cleaning.

#### To Steam Clean:

- Open the oven door of the selected oven and remove all racks and accessories from the oven cavity.
- Pour 10 oz (295.7 mL) of distilled or filtered water into the oven bottom. Then close the oven door.
- Touch the Tools keypad.  
(On double-oven models) Select Upper Cavity or Lower Cavity.
- Select STEAM CLEAN.
- Select START.
- After approximately 1 hour, a tone will sound to signal the end of the cycle. Touch the keypad for single oven models and the keypads for double oven models to clear the display.
- When the oven is completely cooled, remove any excess water with a sponge or cloth and wipe down oven interior. If needed, use a non-scratch copper scrubbing pad to remove stubborn soils.

# INSTALLATION INSTRUCTIONS REQUIREMENTS

## Tools and Parts

Gather the required tools and parts before starting installation. Read and follow the instructions provided with any tools listed here.

#### Tools Needed

- Phillips screwdriver
- Measuring tape
- Hand or electric drill (for wall cabinet installations)
- 1" (2.5 cm) drill bit (for wall cabinet installations)
- Level
- Flat-blade screwdriver

#### Parts Needed

- UL listed or CSA-approved conduit connector
- UL listed wire connectors

#### Parts Supplied

- #8-14 x 3/4" (1.9 cm) screws - single ovens (2), double ovens (4)
- #8-18 x 3/8" (9.5 mm) screws - bottom vent (2)
- #8-18 x 3/8" (9.5 mm) screws - bottom vent shield (2)
- #8-18 x 3/8" (9.5 mm) screws - bottom vent trim (4)
- Rear feet - double oven (2)
- Front feet - double oven (2)
- Bottom vent and shield

Check local codes. Check existing electrical supply. See the "Electrical Requirements" section.

It is recommended that all electrical connections be made by a licensed, qualified electrical installer.

**NOTE:** Be sure to purchase only whirlpool factory-certified parts and accessories for your appliance. Your installation may require additional parts. To order, refer to the contact information referenced in your Quick Start Guide.

## Location Requirements

**IMPORTANT:** Observe all governing codes and ordinances.

- To eliminate the risk of burns or fire by reaching over heated surface units, cabinet storage space located above the surface units should be avoided. If cabinet storage is to be provided, the risk can be reduced by installing a range hood that projects horizontally a minimum of 5 inches beyond the bottom of the cabinets.
- Cabinet opening dimensions that are shown must be used. Given dimensions provide minimum clearance with oven.
- Recessed installation area must provide complete enclosure around the recessed portion of the oven.
- Grounded electrical supply is required. See "Electrical Requirements" section.
- Electrical supply junction box should be located 3" (7.6 cm) maximum below the support surface when the oven is installed in a wall cabinet. A 1" (2.5 cm) minimum diameter hole should have been drilled in the right rear or left rear corner of the support surface to pass the appliance cable through to the junction box.

**NOTE:** For undercounter installation, it is recommended that the junction box be located in the adjacent right or left cabinet. If you are installing the junction box on rear wall behind oven, it is recommended that the junction box be recessed and located in the upper center of the cabinet.

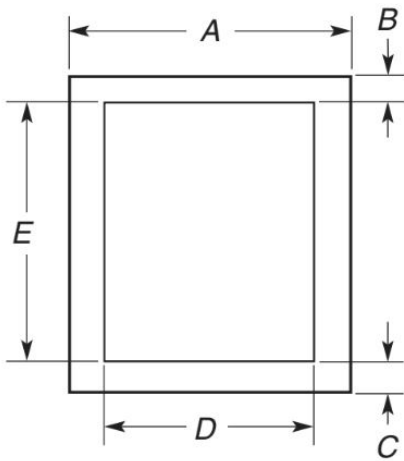
- Oven support surface must be solid, level and flush with bottom of cabinet cutout.
- Floor must be able to support a single oven weight of 200 lbs (91 kg) for 30" (76.2 cm) models.
- Floor must be able to support a double oven weight of 330 lbs (150 kg) for 30" (76.2 cm) models.

**IMPORTANT:** To avoid damage to your cabinets, check with your builder or cabinet supplier to make sure that the materials used will not discolor, delaminate or sustain other damage. This oven has been designed in accordance with the requirements of UL and CSA International and complies with the maximum allowable wood cabinet temperatures of 194°F (90°C).

**Undercounter Installation (With Cooktop Installed Above):**

Ovens approved for this type of installation have an approval label located on the top of the oven. Refer to Cutout Dimensions for Ovens Installed Under Cooktop.

**Cabinet Dimensions - Single Ovens, Standard Installation  
Single Oven Undercounter (Without Cooktop Installed Above)**



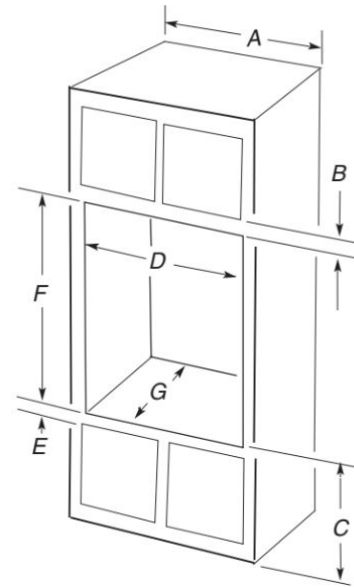
**27" (68.6 cm) models**

- A. 27" (68.6 cm) minimum cabinet width
- B. 1 1/2" (3.8 cm) minimum top of cutout to underside of countertop
- C. 5 1/4" (13.3 cm) bottom of cutout to floor
- D. 25 1/2" (64.8 cm) minimum cutout width
- E. 28" (71.2 cm) minimum cutout height

**30" (76.2 cm) models**

- A. 30" (76.2 cm) minimum cabinet width
- B. 1 1/2" (3.8 cm) minimum top of cutout to underside of countertop
- C. 5 1/4" (13.3 cm) bottom of cutout to floor
- D. 28 1/2" (72.4 cm) minimum cutout width
- E. 28" (71.2 cm) minimum cutout height

**Single Ovens Installed in Cabinet**



**27" (68.6 cm) models**

- A. 27" (68.6 cm) minimum cabinet width
- B. 1 1/4" (3.2 cm) top of cutout to bottom of upper cabinet door
- C. 32" (81.3 cm) bottom of cutout to floor
- D. 25 1/2" (64.8 cm) minimum cutout width
- E. 1 1/2" (3.8 cm) minimum bottom of cutout to top of cabinet door
- F. 28" (71.2 cm)\* recommended cutout height
- G. 24" (60.7 cm) cutout depth

**30" (76.2 cm) models**

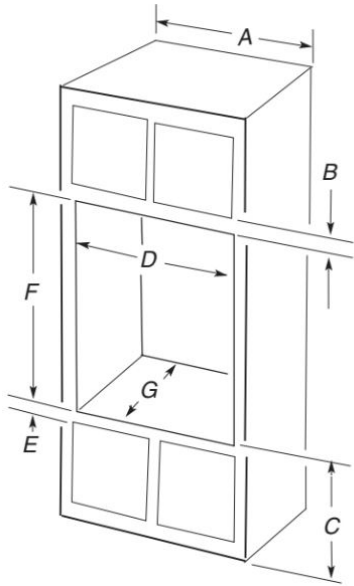
- A. 30" (76.2 cm) minimum cabinet width
- B. 1 1/4" (3.2 cm) top of cutout to bottom of upper cabinet door
- C. 32" (81.3 cm) bottom of cutout to floor
- D. 28 1/2" (72.4 cm) minimum cutout width
- E. 1 1/2" (3.8 cm) minimum bottom of cutout to top of cabinet door
- F. 28" (71.2 cm)\* recommended cutout height
- G. 24" (60.7 cm) cutout depth

\*NOTE The cutout height can be between 26<sup>15</sup>/<sub>16</sub>" and 29<sup>7</sup>/<sub>16</sub>" (68.4 cm and 74.8 cm) for single ovens.

\*NOTE Tall shield for installations greater than 28<sup>11</sup>/<sub>16</sub>" (72.9 cm).

## Cabinet Dimensions - Double Ovens, Standard Installation

### Double Ovens Installed in Cabinet



#### 27" (68.6 cm) models

- A. 27" (68.6 cm) minimum cabinet width
- B. 1<sup>1</sup>/<sub>4</sub>" (3.2 cm) top of cutout to bottom of upper cabinet door
- C. 14<sup>3</sup>/<sub>4</sub>" (37.5 cm) bottom of cutout to floor is recommended. 4"-14<sup>3</sup>/<sub>4</sub>" (10.2 cm - 37.5 cm) bottom of cutout to floor is acceptable.
- D. 25<sup>1</sup>/<sub>2</sub>" (64.8 cm) minimum cutout width
- E. 1<sup>1</sup>/<sub>2</sub>" (3.8 cm) minimum bottom of cutout to top of cabinet door
- F. 50<sup>1</sup>/<sub>4</sub>" (127.6 cm)\* recommended cutout height
- G. 24" (60.7 cm) cutout depth

#### 30" (76.2 cm) models

- A. 30" (76.2 cm) minimum cabinet width
- B. 1<sup>1</sup>/<sub>4</sub>" (3.2 cm) top of cutout to bottom of upper cabinet door
- C. 14<sup>3</sup>/<sub>4</sub>" (37.5 cm) bottom of cutout to floor is recommended. 4"-14<sup>3</sup>/<sub>4</sub>" (10.2 cm - 37.5 cm) bottom of cutout to floor is acceptable.
- D. 28<sup>1</sup>/<sub>2</sub>" (72.4 cm) minimum cutout width
- E. 1<sup>1</sup>/<sub>2</sub>" (3.8 cm) minimum bottom of cutout to top of cabinet door
- F. 50<sup>1</sup>/<sub>4</sub>" (127.6 cm)\* recommended cutout height
- G. 24" (60.7 cm) cutout depth

\*NOTE The cutout height can be between 48<sup>7</sup>/<sub>8</sub>" and 52<sup>3</sup>/<sub>16</sub>" (124.1 cm and 132.6 cm) for double ovens.

\*NOTE Contact service to get tall shield for cutouts greater than 28<sup>11</sup>/<sub>16</sub>" (72.9 cm) to enhance installation.

## Cabinet Dimensions - Single Ovens, Flush Installations

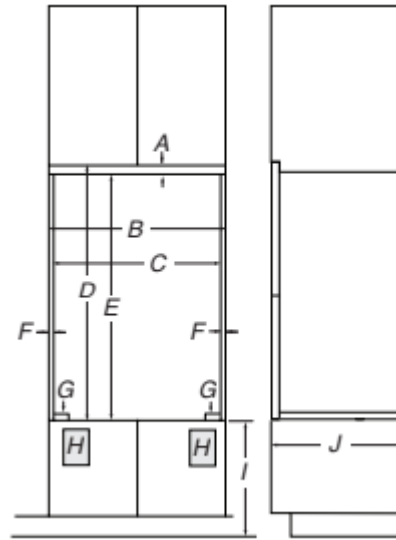
**NOTE:** This is an alternate option to install your product in the cabinet and obtain a flush look. For standard installation, refer section "Cabinet Dimensions - Single Ovens, Standard Installation".

A 25" (63.5 cm) minimum cutout depth is required.

These dimensions will result in a 1/4" (6 mm) reveal on the top, a 1/4" (6 mm) reveal on the sides, and a 1/8" (3 mm) reveal on the bottom of the wall oven.

The front face of the cleats and platform will be visible and should be treated as a finished surface.

### Single Ovens Installed in Cabinet



Front View

Side View

#### 27" (68.6 cm) Models

- A. 3/4" (1.9 cm) top cleat\*
- B. 27<sup>1</sup>/<sub>4</sub>" (69.2 cm) minimum width of flush inset cutout
- C. 25<sup>7</sup>/<sub>8</sub>" (65.7 cm) minimum width of opening
- D. 29<sup>1</sup>/<sub>4</sub>" (74.3 cm) minimum height of flush inset cutout
- E. 28<sup>1</sup>/<sub>2</sub>" (72.4 cm) recommended cutout height
- F. 11/16" (1.7 cm) side cleat\*
- G. 1/4" x 2" (6.4 mm x 5.1 cm) spacer the entire depth of the cutout\*
- H. Recommended junction box location
- I. 4<sup>5</sup>/<sub>8</sub>" - 32" (11.7 - 81.3 cm) bottom of cutout to floor
- J. 25" (63.5 cm) minimum depth of cutout

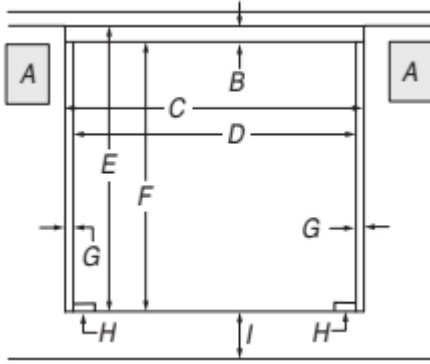
#### 30" (76.2 cm) Models

- A. 3/4" (1.9 cm) top cleat\*
- B. 30<sup>1</sup>/<sub>4</sub>" (76.8 cm) minimum width of flush inset cutout
- C. 28<sup>7</sup>/<sub>8</sub>" (73.3 cm) minimum width of opening
- D. 29<sup>1</sup>/<sub>4</sub>" (74.3 cm) minimum height of flush inset cutout
- E. 28<sup>1</sup>/<sub>2</sub>" (72.4 cm) recommended cutout height
- F. 11/16" (1.7 cm) side cleat\*
- G. 1/4" x 2" (6.4 mm x 5.1 cm) spacer the entire depth of the cutout\*
- H. Recommended junction box location
- I. 4<sup>5</sup>/<sub>8</sub>" - 32" (11.7 - 81.3 cm) bottom of cutout to floor
- J. 25" (63.5 cm) minimum depth of cutout

\* Cleats and spacers must be recessed 1<sup>3</sup>/<sub>8</sub>" (3.5 cm) from the front of the cabinet.



## Single Ovens Undercounter - without cooktop installed above



Front View

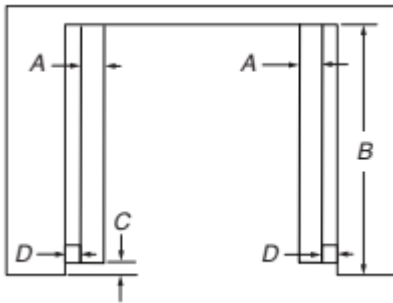
### 27" (68.6 cm) Models

- A. Recommended junction box location
- B. 3/4" (1.9 cm) top cleat\*
- C. 27 1/4" (69.2 cm) minimum width of flush inset cutout
- D. 25 7/8" (65.7 cm) minimum width of opening
- E. 29 1/4" (74.3 cm) minimum height of flush inset cutout
- F. 28 1/2" (72.4 cm) recommended cutout height
- G. 11/16" (1.7 cm) side cleat\*
- H. 1/4" x 2" (6.4 mm x 5.1 cm) spacer the entire depth of the cabinet\*
- I. 4 5/8" (11.7 cm) bottom of cutout to floor

### 30" (76.2 cm) Models

- A. Recommended junction box location
- B. 3/4" (1.9 cm) top cleat\*
- C. 30 1/4" (76.8 cm) minimum width of flush inset cutout
- D. 28 7/8" (73.3 cm) minimum width of opening
- E. 29 1/4" (74.3 cm) minimum height of flush inset cutout
- F. 28 1/2" (72.4 cm) recommended cutout height
- G. 11/16" (1.7 cm) side cleat\*
- H. 1/4" x 2" (6.4 mm x 5.1 cm) spacer the entire depth of the cabinet\*
- I. 4 5/8" (11.7 cm) bottom of cutout to floor

\* Cleats and spacers must be recessed 1 3/8" (3.5 cm) from the front of the cabinet.



Top View

### 27" (68.6 cm) Models

- A. 1/4" x 2" (0.64 cm x 5.1 cm) spacer the entire depth of the cutout\*
- B. 25" (63.5 cm) depth of cutout
- C. 1 3/8" (3.5 cm) recess from front of cabinet
- D. 11/16" (1.7 cm) side cleat\*

### 30" (76.2 cm) Models

- A. 1/4" x 2" (0.64 cm x 5.1 cm) spacer the entire depth of the cutout\*
- B. 25" (63.5 cm) depth of cutout
- C. 1 3/8" (3.5 cm) recess from front of cabinet
- D. 11/16" (1.7 cm) side cleat\*

\* Cleats and spacers must be recessed 1 3/8" (3.5 cm) from the front of the cabinet.

## Cabinet Dimensions - Double Ovens, Flush Installations

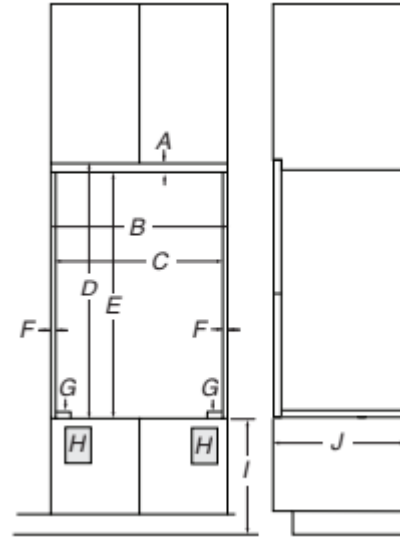
**NOTE:** This is an alternate option to install your product in the cabinet and obtain a flush look. For standard installation, refer section "Cabinet Dimensions - Double Ovens, Standard Installation".

A 25 3/8" (64.4 cm) minimum cutout depth is required.

These dimensions will result in a 1/4" (6 mm) reveal on the top, a 1/4" (6 mm) reveal on the sides, and a 1/8" (3 mm) reveal on the bottom of the wall oven.

The front face of the cleats and platform will be visible and should be treated as a finished surface.

## Double Ovens Installed in Cabinet



Front View

Side View

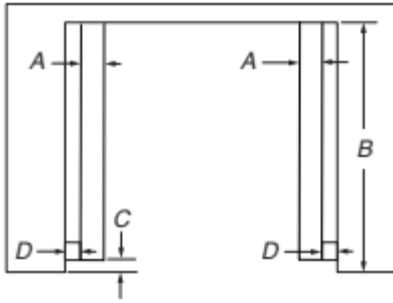
### 27" (76.2 cm) Models

- A. 9/16" (1.4 cm) top cleat\*
- B. 27 1/4" (69.2 cm) minimum width of flush inset cutout
- C. 25 7/8" (65.7 cm) minimum width of opening
- D. 52" (132.1 cm) minimum height of flush inset cutout
- E. 51 7/16" (130.6 cm) recommended cutout height
- F. 11/16" (1.7 cm) side cleat\*
- G. 1/4" x 2" (0.64 cm x 5.1 cm) spacer the entire depth of the cutout\*
- H. Recommended junction box location
- I. 4 5/8" - 14 3/4" (11.7 - 37.5 cm) bottom of cutout to floor
- J. 25 3/8" (64.4 cm) minimum depth of cutout

### 30" (76.2 cm) Models

- A. 9/16" (1.4 cm) top cleat\*
- B. 30 1/4" (76.8 cm) minimum width of flush inset cutout
- C. 28 7/8" (73.3 cm) minimum width of opening
- D. 52" (132.1 cm) minimum height of flush inset cutout
- E. 51 7/16" (130.6 cm) recommended cutout height
- F. 11/16" (1.7 cm) side cleat\*
- G. 1/4" x 2" (0.64 cm x 5.1 cm) spacer the entire depth of the cutout\*
- H. Recommended junction box location
- I. 4 5/8" - 32" (11.7 - 81.3 cm) bottom of cutout to floor
- J. 25 3/8" (64.4 cm) minimum depth of cutout

\* Cleats and spacers must be recessed 1 3/8" (3.5 cm) from the front of the cabinet.



- 27" (68.6 cm) Models**
- A. 1/4" x 2" (0.64 cm x 5.1 cm) spacer the entire depth of the cutout\*
  - B. 25<sup>3</sup>/<sub>8</sub>" (64.4 cm) depth of cutout
  - C. 1<sup>3</sup>/<sub>8</sub>" (3.5 cm) recess from front of cabinet
  - D. 11/16" (1.7 cm) side cleat\*
- 30" (76.2 cm) Models**
- A. 1/4" x 2" (0.64 cm x 5.1 cm) spacer the entire depth of the cutout\*
  - B. 25<sup>3</sup>/<sub>8</sub>" (64.4 cm) depth of cutout
  - C. 1<sup>3</sup>/<sub>8</sub>" (3.5 cm) recess from front of cabinet
  - D. 11/16" (1.7 cm) side cleat\*

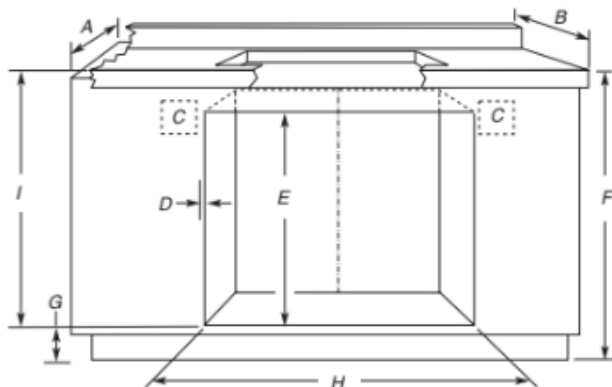
\* Cleats and spacers must be recessed 1<sup>3</sup>/<sub>8</sub>" (3.5 cm) from the front of the cabinet.

### Cutout Dimensions For Ovens Installed Under Cooktop

**IMPORTANT:** Observe all governing codes and ordinances. Cooktop must be approved for use over an oven. See cooktop Installation Instructions for cutout dimensions. Center the cooktop cutout over oven cutout.

To avoid damage to your cabinets, check with your builder or cabinet supplier to make sure that the materials used will not discolor, delaminate or sustain other damage. This oven has been designed in accordance with UL and CSA International and complies with the maximum allowable wood cabinet temperatures of 194°F (90°C).

### Approved Built-In Oven and Electric Radiant/Coil Cooktop Combinations



- A. 24" (61 cm) cabinet depth
- B. 25" (63.5 cm) countertop depth
- C. Recommended oven and cooktop junction box locations
- D. Allow 5/8" (1.6 cm) for oven trim to overlap on each side
- E. 27<sup>3</sup>/<sub>4</sub>" (70.5 cm) minimum cutout height
- F. 36" (91.4 cm) from cabinet base to countertop
- G. 4<sup>5</sup>/<sub>8</sub>" (11.7 cm) maximum from cabinet base
- H. See Cutout Dimensions chart
- I. 31<sup>3</sup>/<sub>8</sub>" (79.7 cm) from top of countertop to bottom of cutout

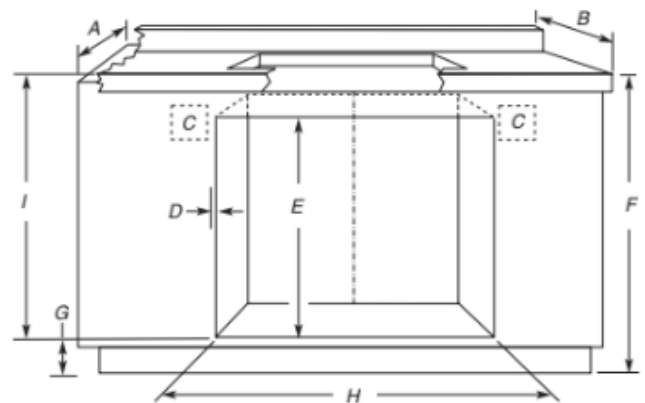
### CUTOUT DIMENSIONS (H)

Oven Size	Oven Cutout Dimension
24" (61 cm)	22 <sup>1</sup> / <sub>2</sub> " (57.2 cm)
27" (68.6 cm)	25 <sup>1</sup> / <sub>2</sub> " (64.8 cm)
30" (76.2 cm)	28 <sup>1</sup> / <sub>2</sub> " (72.4 cm)
36" (91.4 cm)	34 <sup>1</sup> / <sub>2</sub> " (87.6 cm)

For the approved model number combinations, refer to the undercounter label located on top of the oven chassis and on the bottom of the cooktop burner box.

**NOTE:** For undercounter installation, it is recommended that the junction boxes for oven and cooktop be located in the adjacent right or left cabinet. A 1" (2.5 cm) minimum diameter hole should have been drilled in the upper rear right or left corner of the side wall surface to pass the appliance cable through to the junction box.

### Approved Built-In Oven and Induction Cooktop Combinations



- A. 24" (61 cm) cabinet depth
- B. 25" (63.5 cm) countertop depth
- C. Recommended oven and cooktop junction box locations
- D. Allow 5/8" (1.6 cm) for oven trim to overlap on each side.
- E. 27<sup>3</sup>/<sub>4</sub>" (70.5 cm) minimum cutout height
- F. 36" (91.4 cm) from cabinet base to countertop
- G. 4<sup>5</sup>/<sub>8</sub>" (11.7 cm) maximum from cabinet base. If dimension "F" is greater than 36" (91.4 cm), dimension "G" can be increased the same difference for induction combinations
- H. See Cutout Dimensions chart
- I. 31<sup>3</sup>/<sub>8</sub>" (82.2 cm) from top of countertop to bottom of cutout

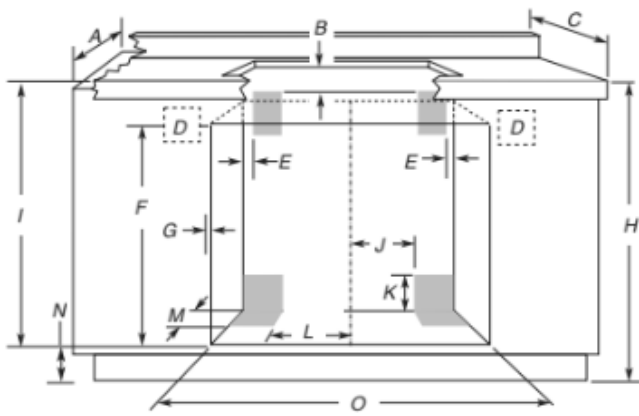
### CUTOUT DIMENSIONS (H)

Oven Size	Minimum Oven Cutout Dimension
24" (61 cm)	22 <sup>1</sup> / <sub>2</sub> " (57.2 cm)
27" (68.6 cm)	25 <sup>1</sup> / <sub>2</sub> " (64.8 cm)
30" (76.2 cm)	28 <sup>1</sup> / <sub>2</sub> " (72.4 cm)

For the approved model number combinations, refer to the undercounter label located on top of the oven chassis and on the bottom of the cooktop burner box.

**NOTE:** For undercounter installation, it is recommended that the junction boxes for oven and cooktop be located in the adjacent right or left cabinet. A 1" (2.5 cm) minimum diameter hole should have been drilled in the upper rear right or left corner of the side wall surface to pass the appliance cable through to the junction box.

## Approved Built-In Oven and Gas Cooktop Combinations



- |   |  |
|---|--|
| A. 24" (61 cm) cabinet depth  | I. 31 <sup>3</sup> / <sub>8</sub> " (79.7 cm) from top of countertop to bottom of cutout |
| B. 1" (2.5 cm) clearance to bottom of countertop                    | J. Gas line through wall 10 <sup>1</sup> / <sub>2</sub> " (26.7 cm) to center of cutout  |
| C. 25" (63.5 cm) countertop depth                                   | K. 3 <sup>1</sup> / <sub>4</sub> " (8.3 cm)  |
| D. Recommended oven junction box locations                          | L. Gas line through floor 10 <sup>1</sup> / <sub>2</sub> " (26.7 cm) to center of cutout |
| E. 1" (2.5 cm) clearance to cabinet                                 | M. 3 <sup>1</sup> / <sub>2</sub> " (8.9 cm)  |
| F. 27 <sup>3</sup> / <sub>4</sub> " (70.5 cm) minimum cutout height | N. 4 <sup>5</sup> / <sub>8</sub> " (11.7 cm) maximum from cabinet base                   |
| G. Allow 5/8" (1.6 cm) for oven trim to overlap on each side.       | O. See Cutout Dimensions chart   |
| H. 36" (91.4 cm) from cabinet base to countertop                    |  |

## CUTOUT DIMENSIONS (O)

Oven Size	Minimum Oven Cutout Dimension
24" (61 cm)	22 <sup>1</sup> / <sub>2</sub> " (57.2 cm)
27" (68.6 cm)	25 <sup>1</sup> / <sub>2</sub> " (64.8 cm)
30" (76.2 cm)	28 <sup>1</sup> / <sub>2</sub> " (72.4 cm)
36" (91.4 cm)	34 <sup>1</sup> / <sub>2</sub> " (87.6 cm)

For the approved model number combinations, refer to the undercounter label located on top of the oven chassis.

**NOTE:** For undercounter installation, it is recommended that the junction box for oven be located in the adjacent right or left cabinet. A 1" (2.5 cm) minimum diameter hole should have been drilled in the upper rear right or left corner of the side wall surface to pass the appliance cable through to the junction box.

The upper shaded areas are recommended locations for recessed junction box for 120 V grounded outlet for cooktop.

Lower shaded areas are recommended locations for flexible or rigid gas pipe installation. The gas connection on the cooktop is on the right (same location as "J" in the above diagram). The gas pipe can be installed on either side of the cutout, and either through the floor or through the wall. Refer to local codes regarding the use of gas lines.

## Electrical Requirements

If codes permit and a separate ground wire is used, it is recommended that a qualified electrical installer determine that the ground path and the wire gauge are in accordance with local codes.

Check with a qualified electrical installer if you are not sure the oven is properly grounded.

This oven must be connected to a grounded metal, permanent wiring system.

Be sure that the electrical connection and wire size are adequate and in conformance with the National Electrical Code, ANSI/NFPA 70-latest edition or CSA Standards C22.1-94, Canadian Electrical Code, Part 1 and C22.2 No. O-M91-latest edition, and all local codes and ordinances.

A copy of the above code standards can be obtained from:

National Fire Protection Association  
1 Batterymarch Park  
Quincy, MA 02169-7471

CSA International  
8501 East Pleasant Valley Road  
Cleveland, OH 44131-5575

## Electrical Connection

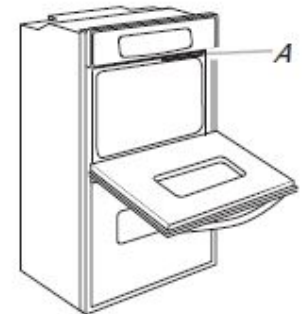
To properly install your oven, you must determine the type of electrical connection you will be using and follow the instructions provided for it here.

- Oven must be connected to the proper electrical voltage and frequency as specified on the model/serial/rating plate. The model/serial/rating plate is located under the control panel on single ovens and under the control panel on the upper oven cavity on double ovens. See the following illustrations.



Single oven

A. Model/serial/rating plate



Double oven

A. Model/serial/rating plate

- Models rated from 7.3 to 9.6 kW at 240 V (5.4 to 7.4 kW at 208 V) require a separate 40 A circuit. Models rated at 4.8 kW and below at 240 V (3.6 kW and below at 208 V) require a separate 20 A circuit.
- A circuit breaker is recommended.
- Connect directly to the fused disconnect (or circuit breaker box) through flexible, armored, or nonmetallic sheathed, copper cable (with grounding wire). See "Make Electrical Connection" section.
- Flexible conduit from the oven should be connected directly to the junction box.
- Fuse both sides of the line.
- Do not cut the conduit. The length of conduit provided is for serviceability of the oven.
- A UL listed or CSA-approved conduit connector must be provided.

- If the house has aluminum wiring, follow the procedure below: Connect the aluminum wiring using special connectors and/or tools designed and UL listed for joining copper to aluminum. Follow the electrical connector manufacturer's recommended procedure. Aluminum/copper connection must conform with local codes and industry-accepted wiring practices.

## INSTALLATIONS

### Prepare Built-In Oven

1. Decide on the final location for the oven. Avoid drilling or cutting into house wiring during installation.

## **⚠WARNING**

### **Excessive Weight Hazard**

**Use two or more people to move and install or uninstall appliance.**

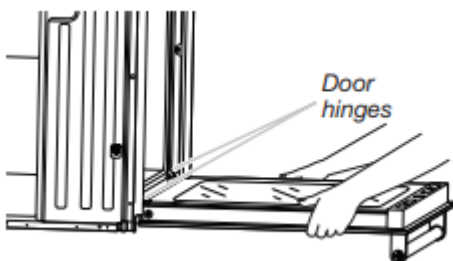
**Failure to do so can result in back or other injury.**

2. To avoid floor damage, set the oven onto cardboard prior to installation. Do not use handle or any portion of the front frame for lifting.
3. Remove the shipping materials and tape from the oven. Remember to keep the corner posts and other materials that may be needed for installation.
4. Remove the hardware package from inside the bag containing literature.
5. Remove and set aside racks, attachments, and other parts from inside the oven.
6. Move oven and cardboard close to the oven's final location.

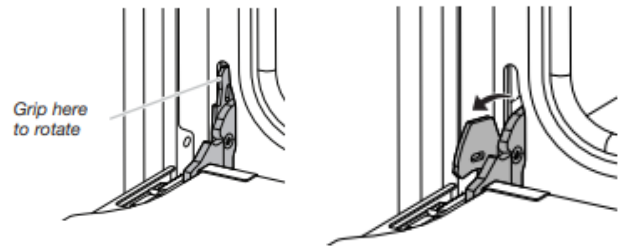
### Remove Oven Door(s)

**IMPORTANT:** Use 2 hands to remove oven door. For double ovens, repeat the process for each door.

1. Prior to removing the oven door, prepare a surface where you will place it. This surface should be flat and covered with a soft blanket, or use the corner posts from your packaging material.
2. Fully open the oven door.



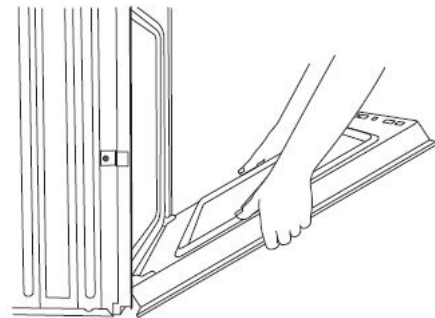
3. Locate the oven door hinge locks in both corners of the oven door, and rotate the hinge locks toward the oven door to the unlocked position. If the door hinge lock is not rotated fully (see illustration B), the door will not remove properly.



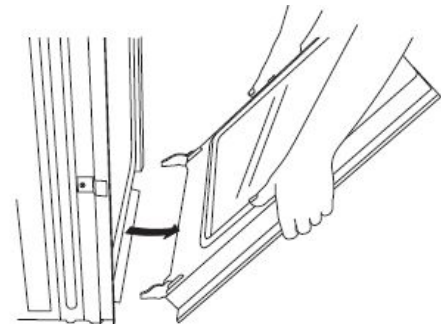
A. Oven door hinge lock in locked position

B. Oven door hinge lock in unlocked position

4. Gently start to close the door. The door will stop at a partially closed position.



5. Using 2 hands, grasp the edges of the oven door. Close the oven door slightly past the stop position to take the weight off of the door hinges, and then pull the oven door up.



6. Pull the oven door toward you, and then remove. You may need to gently shift door from side to side as you pull.
7. Set the oven door aside on the prepared covered work surface with the oven door resting on its handle.
8. To continue with the oven installation, go to the "Positioning Oven Feet for Multiple Cabinet Cutout Heights" section.

# Positioning Oven Feet for Multiple Cabinet Cutout Heights

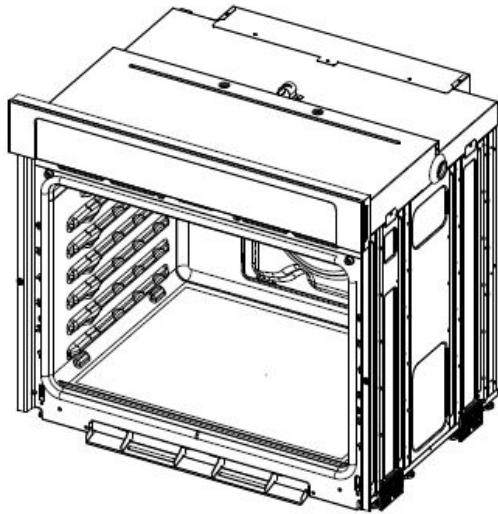
## Single Ovens

The positioning of the oven feet allow a single oven to be installed in a cutout height between  $26\frac{15}{16}$ " and  $29\frac{7}{16}$ " (68.4 cm and 74.8 cm). Refer to the following instructions to position the feet for the size of your cabinet cutout.

### Cutout Height is Between $27\frac{5}{8}$ " and $28\frac{5}{8}$ " (70.2 cm and 72.7 cm)

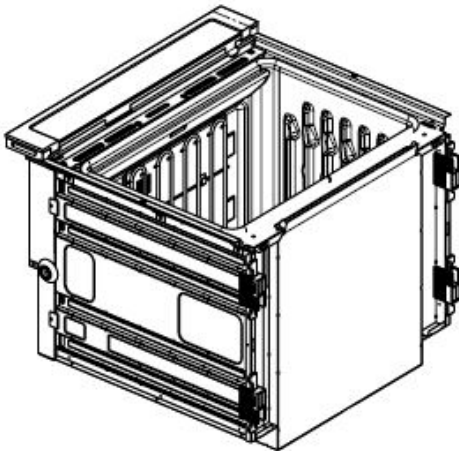
The oven feet do not need to be changed. They are positioned correctly as received.

Go to the "Make Electrical Connection" section.



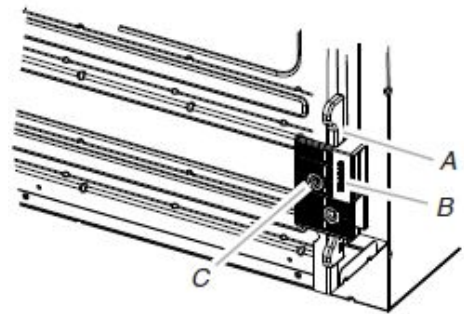
### Cutout Height is Between $26\frac{15}{16}$ " and $27\frac{11}{16}$ " (68.4 cm and 70.3 cm)

1. Using 2 or more people, place the oven on its back on a covered surface.



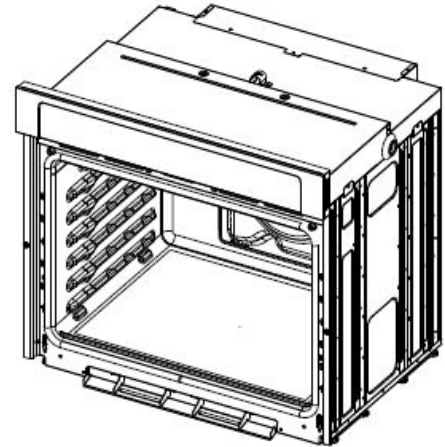
2. Remove the foot from the right front spacer by removing the #8-18 x 3/8" screw.

**NOTE:** Do not remove the spacer.



- A. Spacer
- B. Foot
- C. #8-18 x 3/8" (9.5 mm) screw

3. In the same manner, remove the feet on the right rear, left front, and left rear of the oven.
4. Using 2 or more people, place the oven in its upright position.

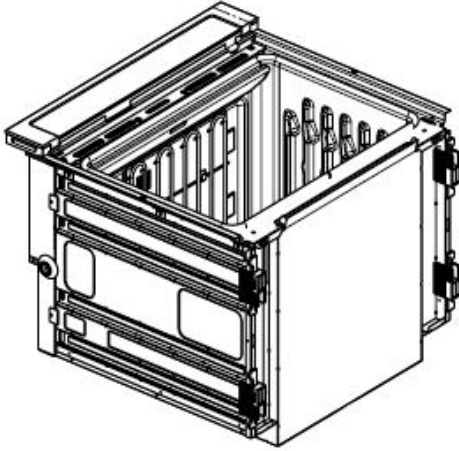


5. Go to the "Make Electrical Connection" section.

**Cutout Height is between 28<sup>11</sup>/<sub>16</sub>" and 29<sup>7</sup>/<sub>16</sub>" (72.8 cm and 74.8 cm)**

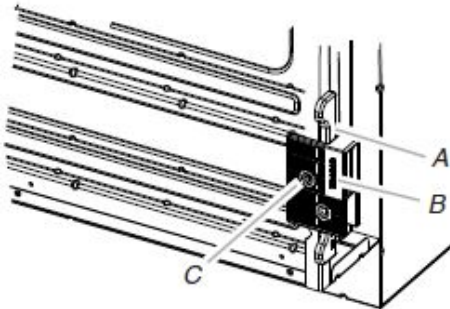
**NOTE:** A tall bottom vent shield can be ordered to replace the shield that came with the unit as an optional bottom aesthetic. The oven will function properly with either shield. Please refer to your Quick Start Guide for the service number to call and request at no charge.

- Using 2 or more people, place the oven on its back on a covered surface.



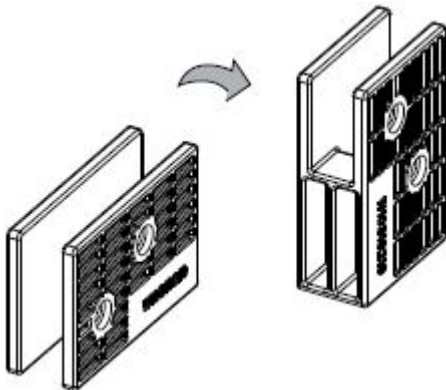
- Remove the foot from the right front spacer by removing the #8-18 x 3/8" (9.5 mm) screw.

**NOTE:** Do not remove the spacer.



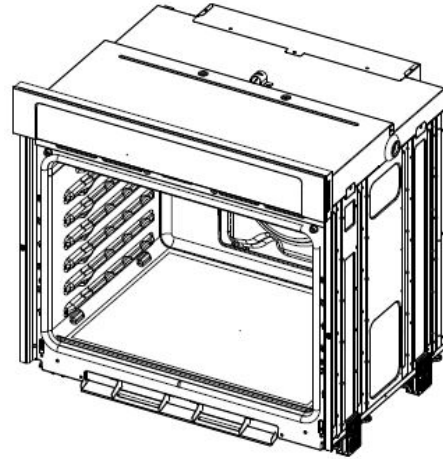
- A. Spacer
- B. Foot
- C. #8-18 x 3/8" (9.5 mm) screw

- Rotate the foot 90° so the short side of the foot is positioned toward the top of the oven.



- Reinstall the foot to the spacer using the #8-18 x 3/8" (9.5 mm) screw previously removed.

- In the same manner, remove, rotate and reinstall the feet on the right rear, left front, and left rear of the oven.
- Using 2 or more people, place the oven in its upright position.



- Go to the "Make Electrical Connection" section.

### Double Ovens

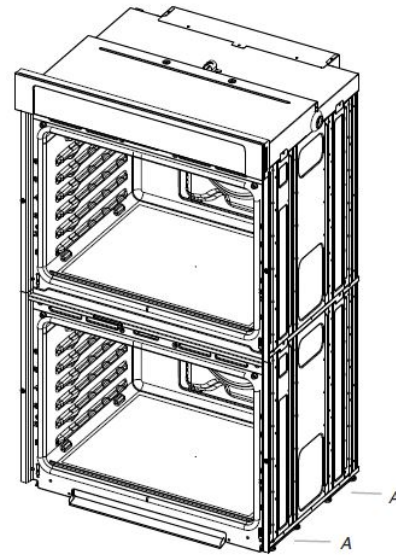
The positioning of the oven feet allow a double oven to be installed in a cutout height between 48<sup>7</sup>/<sub>8</sub>" and 52<sup>3</sup>/<sub>16</sub>" (124.1 cm and 132.6 cm). Refer to the following instructions to position the feet for the size of your cabinet cutout.

**Cutout Height is Between 48<sup>7</sup>/<sub>8</sub>" and 50<sup>7</sup>/<sub>16</sub>" (124.1 cm and 128.1 cm)**

The oven feet do not need to be installed. The oven is configured correctly as received.

**NOTE:** Do not remove the spacers.

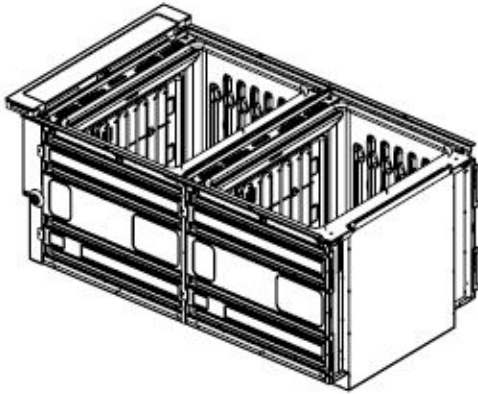
Go to the "Make Electrical Connection" section.



A. Spacers

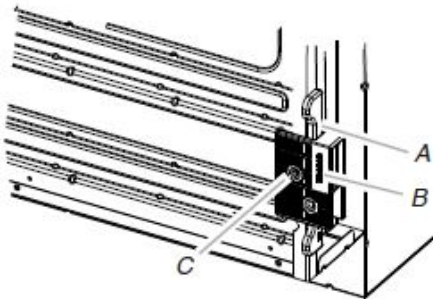
**Cutout Height is Between 50<sup>1</sup>/<sub>2</sub>" and 51<sup>1</sup>/<sub>8</sub>" (128.2 cm and 129.9 cm) or For Flush Installation**

1. Using 2 or more people, place the oven on its back on a covered surface.



2. Install a rear foot on the left rear spacer using a #8-18 x 3/8" (9.5 mm) screw.

**NOTE:** Position the foot so the long side of the foot is facing toward the top of the oven.

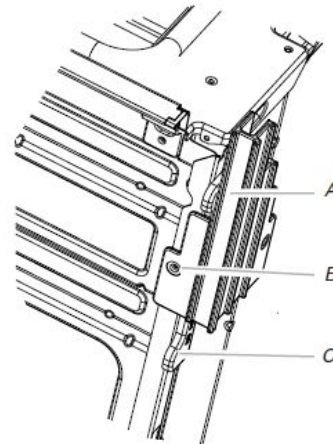


- A. Spacer
- B. Rear foot
- C. #8-18 x 3/8" (9.5 mm) screw

3. In the same manner, install a rear foot on the right rear of the oven.

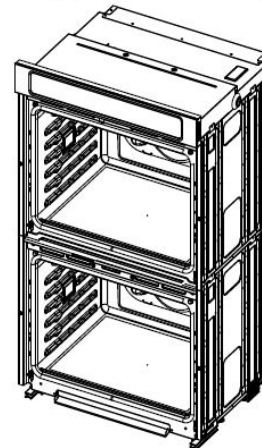
4. Install a front foot on the left front spacer using a #8-18 x 3/8" (9.5 mm) screw.

**NOTE:** Position the foot so the long side of the foot is facing toward the inside of the oven.



- A. Front Foot
- B. #8-18 x 3/8" (9.5 mm) screw
- C. Spacer

5. In the same manner, install a front foot on the right front of the oven.
6. Using 2 or more people, place the oven in its upright position.

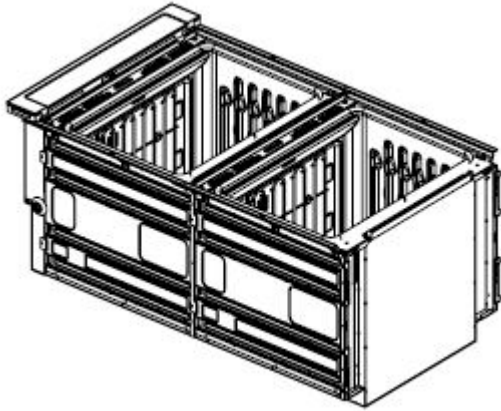


7. Go to the "Make Electrical Connection" section.

**Cutout Height is Between 51<sup>3</sup>/<sub>16</sub>" and 52<sup>3</sup>/<sub>16</sub>" (130.0 cm and 132.6 cm)**

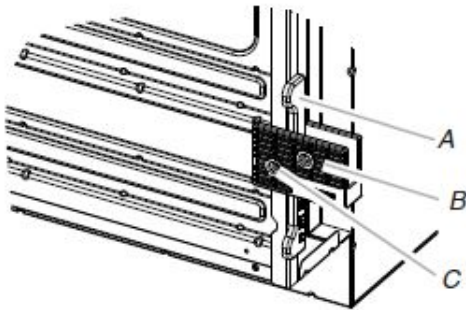
**NOTE:** A tall bottom vent shield can be ordered to replace the shield that came with the unit as an optional bottom aesthetic. The oven will function properly with either shield. Please refer to your Quick Start Guide for the service number to call and request at no charge.

1. Using 2 or more people, place the oven on its back on a covered surface.



2. Install a rear foot on the left rear spacer using a #8-18 x 3/8" (9.5 mm) screw.

**NOTE:** Position the rear foot so the short side of the foot is facing toward the top of the oven.

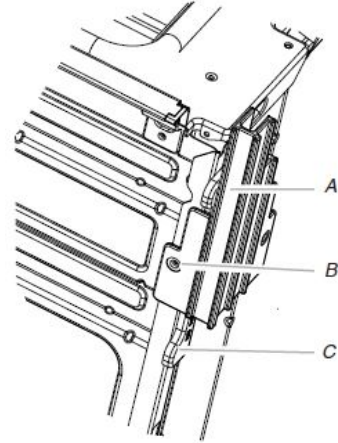


A. Spacer  
B. Rear foot  
C. #8-18 x 3/8" (9.5 mm) screw

3. In the same manner, install a rear foot on the right rear of the oven.

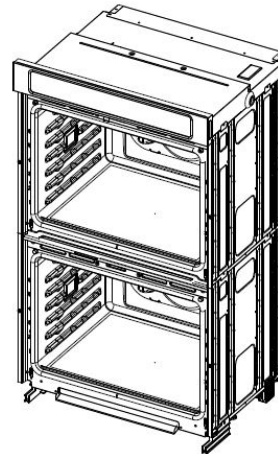
4. Install a front foot on the left front using a #8-18 x 3/8" (9.5 mm) screw.

**NOTE:** Position the foot so the short side of the foot is facing toward the top of the oven.



A. Front Foot  
B. #8-18 x 3/8" (9.5 mm) screw  
C. Spacer

5. In the same manner, install a front foot on the right front of the oven.
6. Using 2 or more people, place the oven in its upright position.



7. Go to the "Make Electrical Connection" section.



# Make Electrical Connection

## For Single Ovens

### ⚠ WARNING



#### Electrical Shock Hazard

Disconnect power before servicing.

Use 12 gauge copper wire.

Electrically ground oven.

Failure to follow these instructions can result in death, fire, or electrical shock.

## For Double Ovens

### ⚠ WARNING



#### Electrical Shock Hazard

Disconnect power before servicing.

Use 8 gauge copper wire.

Electrically ground oven.

Failure to follow these instructions can result in death, fire, or electrical shock.

This oven is manufactured with a neutral (white) power supply wire and a cabinet-connected green (or bare) ground wire twisted together.

1. Disconnect power.
2. Feed the flexible conduit from the oven through the opening in the cabinet.
3. Remove junction box cover, if it is present.
4. Install a UL listed or CSA approved conduit connector to the junction box.



A. UL listed or CSA Approved conduit connector

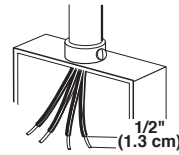
5. Route the flexible conduit from the oven to the junction box through a UL listed or CSA approved conduit connector.
6. Tighten screws on conduit connector.
7. See "Electrical Connection Options Chart" to complete installation for your type of electrical connection.

## Electrical Connection Options Chart

### If your home has:

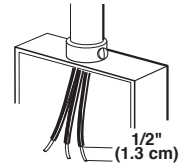
### Go to section:

4-wire



4-Wire Cable from Home Power Supply

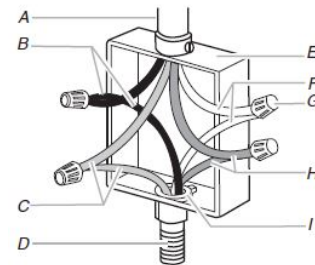
3-wire



3-Wire Cable from Home Power Supply

### 4-Wire Cable from Home Power Supply

**IMPORTANT:** Use the 4-wire cable from home power supply in the U.S. where local codes do not allow grounding through neutral, New Branch circuit installations (1996 NEC), mobile homes and recreational vehicles, new construction and in Canada.

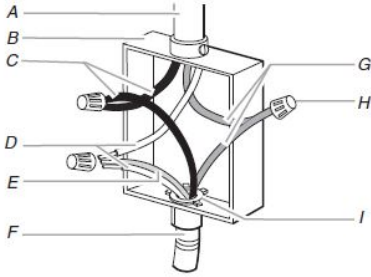


- |                                      |  |
|--------------------------------------|--|
| A. Cable from home power supply      | F. White wires                                 |
| B. Black wires                       | G. UL listed wire connectors                   |
| C. Red wires                         | H. Green (or bare) ground wires                |
| D. 4-wire flexible conduit from oven | I. UL listed or CSA approved conduit connector |
| E. Junction box                      |  |

1. Connect the 2 black wires (B) together using a UL listed wire connector.
2. Connect the 2 red wires (C) together using a UL listed wire connector.
3. Untwist white wire from green (or bare) ground wire coming from the oven.
4. Connect the 2 white wires (F) together using a UL listed wire connector.
5. Connect the green (or bare) ground wire (H) from the oven cable to the green (or bare) ground wire (in the junction box) using a UL listed wire connector.
6. Install junction box cover.

### 3-Wire Cable from Home Power Supply – U.S. Only

**IMPORTANT:** Use the 3-wire cable from home power supply where local codes permit a 3-wire connection.



- |  |  |
|--|--|
| A. Cable from home power supply            | F. 4-wire flexible conduit from oven           |
| B. Junction box                            | G. Red wires                                   |
| C. Black wires                             | H. UL listed wire connectors                   |
| D. White wires                             | I. UL listed or CSA approved conduit connector |
| E. Green (or bare) ground wire (from oven) |  |

1. Connect the 2 black wires (C) together using a UL listed wire connector.
2. Connect the 2 white wires (D) and the green (or bare) ground wire (of the oven cable) using a UL listed wire connector.
3. Connect the 2 red wires (G) together using a UL listed wire connector.
4. Install junction box cover.

### Install Oven

1. Using 2 or more people, lift the oven partially into the cabinet cutout. Use the oven opening as an area to grip.

**NOTE:** Push against seal area of the oven front frame when pushing the oven into the cabinet. Do not push against the outside edges.



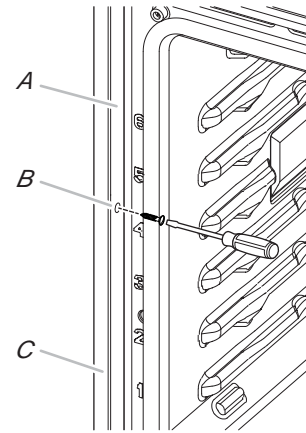
2. Push against the seal area of the front frame to push the oven into the cabinet until the back surface of the front frame touches the front wall of the cabinet.



3. Push oven completely into the cabinet and center the oven into the cabinet cutout.

4. Securely fasten the oven to the cabinet using the #8-14 x 3/4" (1.9 cm) screws provided.

Insert the screws through hole in black trim aligning with hole in oven frame. Do not overtighten screws.

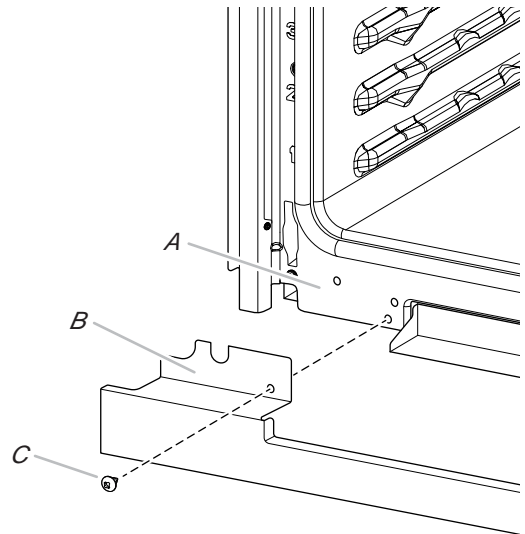


- |                    |
|--------------------|
| A. Oven frame      |
| B. Side trim hole  |
| C. Side trim piece |

5. The bottom vent trim and bottom vent shield are shipped in the foam packing at the top of the oven.

Tall bottom vent shield are used when the oven is installed with the feet in the tall position. Please contact service for one to be shipped to you free of charge.

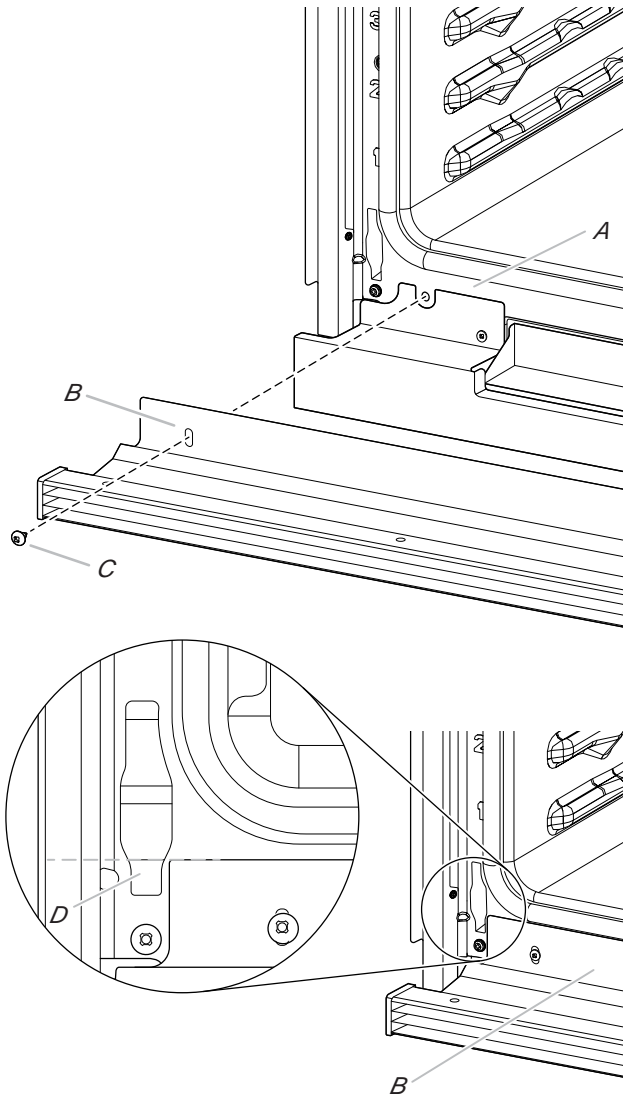
- Align vent tab (B) with oven frame (A) as shown.
- Using one #8-18 x 3/8" (9.5 mm) screw (C) on each side of the shield tab (B), fasten the vent securely to the oven frame (A).



- |                                 |
|---------------------------------|
| A. Oven frame                   |
| B. Shield tab                   |
| C. #8-18 x 3/8" (9.5 mm) screws |

6. After the bottom vent shield is installed.

- Align the bottom vent trim tab (B) with the oven frame (A) as shown.
- Using one #8-18 x 3/8" (9.5 mm) screw (C) on each side of the trim tab (B), align the top of the bottom trim tab (B) to the Hinge receiver (D) as shown.
- Fasten the bottom vent trim securely to the oven frame (A).



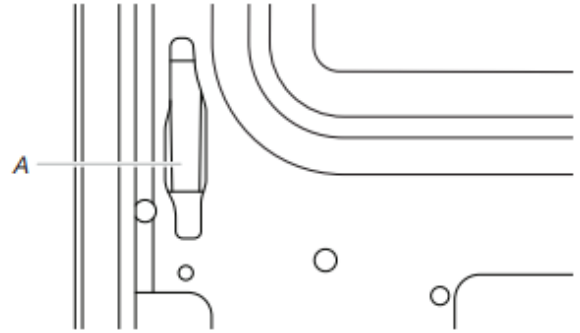
A. Oven frame  
B. Trim tab  
C. #8-18 x 3/8" (9.5 mm) screw  
D. Hinge receiver

7. Replace the oven racks.
8. Replace the oven door. See the "Replace Oven Door(s)" section.
9. Check that the door is free to open and close. If it is not, repeat the removal and installation procedures. See the "Prepare Built-In Oven" section.
10. Repeat for lower oven door.
 

**IMPORTANT:** For proper oven operation, check that the gap between bottom of the door and bottom vent trim is at least 1/4" (6.4 mm).
11. Reconnect power.
12. The display panel will light and boot up.
13. If the display panel does not light, reference the Warranty.

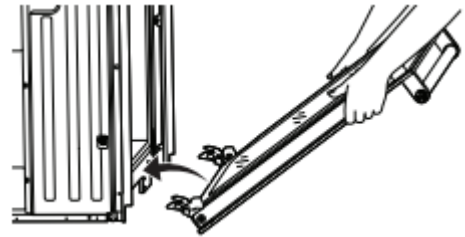
## Replace Oven Door(s)

1. Using two hands, grasp side edges of door at the midpoint. Face the oven cavity.
2. Locate the slots on each side of the oven cavity for the door hinge locks.

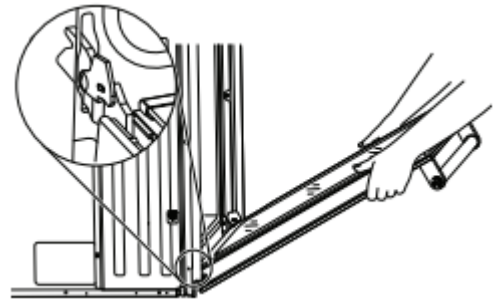


A. Slot in the oven cavity for door hinge lock

3. Using 2 hands, grasp the edges of the oven door. At a 45° angle, insert the hinges at the same time, and push the oven door into the oven cavity slot to replace. You may need to gently shift the door from side to side as you push.

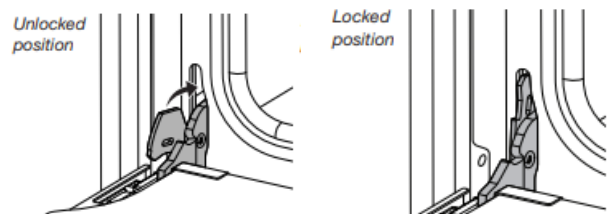


4. Make sure the door hinge notch is engaged on the bottom of the oven cavity slot.



**IMPORTANT:** Do not close the door at this step or damage may occur to the door hinge.

5. Lower the oven door to the fully open position. If the oven door does not open to a full 90°, repeat steps 1 through 3.
6. Locate the oven door hinge locks in the corners of the oven door, and rotate the hinge locks toward the oven cavity to the locked position.



7. After the door hinges have been locked, gently swing the door upward to close. The door should not be forced closed.

8. When the hinges are properly installed and the door is closed, there should be an even gap between the door and the control panel. If one side of the oven door is lower than the other, the hinge on that side is not properly installed.

## Complete Installation

1. Check that all parts are now installed. If there is an extra part, go back through the steps to see which step was skipped.
2. Check that you have all of your tools.
3. Dispose of/recycle all packaging materials.
4. For oven cleaning, read the "Oven Maintenance and Care" section.

### Check Operation of Single and Double Ovens

1. Turn on power.
2. At first use, set up the languages, clock, and any other preferences, if available. For more information, read the online "Control Guide".
3. Start a broil cycle.

**NOTE:** Odors and smoke are normal when the oven is used the first few times.

4. Wait 5 minutes, then check for heat.

#### **If Oven(s) Does Not Operate, Check the Following:**

- Household fuse is intact and tight; or circuit breaker has not tripped.
  - Electrical supply is connected.
  - See the online "Troubleshooting".
5. Place the SatinGlide™ Roll-Out Extension Rack for Smart Oven+ Attachments in the lowest rack position in the unit to make sure the correct accessory rack is on the bottom.
  6. Press UPPER CANCEL/LOWER CANCEL on double ovens, or press CANCEL on single ovens.

#### **If you need Assistance or Service:**

Please refer to the Quick Start Guide for contact information.

# SÉCURITÉ DU FOUR ENCASTRÉ

## Votre sécurité et celle des autres sont très importantes.

Nous donnons de nombreux messages de sécurité importants dans ce manuel et sur votre appareil. Assurez-vous de toujours lire tous les messages de sécurité et de vous y conformer.



Voici le symbole d'alerte de sécurité.

Ce symbole d'alerte de sécurité vous signale les dangers potentiels de décès et de blessures graves.

Tous les messages de sécurité suivront le symbole d'alerte de sécurité et le mot « DANGER » ou « AVERTISSEMENT ». Ces mots signifient :

**⚠ DANGER**

**Risque possible de décès ou de blessure grave si vous ne suivez pas immédiatement les instructions.**

**⚠ AVERTISSEMENT**

**Risque possible de décès ou de blessure grave si vous ne suivez pas les instructions.**

Tous les messages de sécurité vous diront quel est le danger potentiel, comment réduire le risque de blessure et ce qui peut se produire en cas de non-respect des instructions.

## IMPORTANTES INSTRUCTIONS DE SÉCURITÉ

**AVERTISSEMENT :** Afin de réduire le risque d'incendie, de décharge électrique ou de blessures lors de l'utilisation de l'appareil, il convient d'observer certaines précautions fondamentales, notamment :

- Bonne installation – l'appareil, lorsqu'il est installé, doit être relié à la terre conformément aux codes locaux, ou en l'absence de codes locaux, au *National Electrical Code*, *ANSI/NFPA 70* ou au *Code canadien de l'électricité CSA C22.1-02*. Au Canada, l'appareil doit être relié à la terre en respectant le Code canadien de l'électricité. S'assurer que l'appareil est bien installé et que la mise à la terre est réalisée par un technicien qualifié.
- Ne jamais utiliser l'appareil pour chauffer ou réchauffer la pièce.
- Ne pas laisser les enfants seuls – Les enfants ne doivent pas être laissés seuls ou sans surveillance dans la zone où l'appareil est utilisé. Ils ne doivent jamais être autorisés à s'asseoir ou à se tenir debout sur une partie quelconque de l'appareil.
- Porter des vêtements adaptés – Les vêtements pendants ou non ajustés ne doivent jamais être portés lorsqu'on utilise l'appareil.
- Entretien par l'utilisateur – Ne pas réparer ou remplacer une quelconque pièce de l'appareil sans recommandation spécifique du manuel. Toutes les autres tâches d'entretien doivent être effectuées par un technicien qualifié.
- Entreposage dans ou sur l'appareil – Les matières inflammables ne doivent pas être entreposées dans un four ou près de la surface de la table.
- Cet appareil n'est pas conçu pour servir d'espace de rangement.
- Ne pas utiliser d'eau sur les feux de friture – Éteindre le feu ou la flamme ou utiliser un extincteur avec agent chimique sec ou mousseux.
- Ne pas utiliser de pièces de remplacement qui n'ont pas été recommandées par le fabricant (c.-à-d., pièces fabriquées à la maison à l'aide d'une imprimante 3D).
- Utiliser uniquement des mitaines sèches – Les mitaines humides ou trempées sur les surfaces chaudes peuvent provoquer des brûlures dues à la vapeur. Ne pas laisser les mitaines toucher des éléments chauffants et chauds. Ne pas utiliser un chiffon ou tout autre tissu encombrant.
- Ouvrir la porte lentement – Laisser la chaleur ou la vapeur s'échapper avant de retirer ou de remettre en place un plat.
- NE PAS TOUCHER LES ÉLÉMENTS CHAUFFANTS OU LES SURFACES INTÉRIEURES DU FOUR – Les éléments chauffants peuvent être chauds même s'ils sont de couleur foncée. Les surfaces intérieures du four peuvent être suffisamment chaudes pour provoquer des brûlures. Pendant et après l'utilisation, ne pas toucher ou laisser des vêtements ou d'autres matériaux inflammables en contact avec les éléments chauffants ou les surfaces intérieures tant qu'ils n'ont pas suffisamment refroidi. Les autres surfaces de l'appareil peuvent devenir suffisamment chaudes pour causer des brûlures – les serpentins et éléments de cuissons, les ouvertures de ventilation et les surfaces autour de ces ouvertures, les portes du four et les hublots de portes font partie de ces surfaces.
- Ne pas faire chauffer un contenant qui n'a pas été ouvert – L'accumulation de pression pourrait faire éclater le contenant et causer des blessures.
- Garder dégagés les conduits de ventilation du four.

**CONSERVER CES INSTRUCTIONS**

## IMPORTANTES INSTRUCTIONS DE SÉCURITÉ

**AVERTISSEMENT :** Afin de réduire le risque d'incendie, de décharge électrique ou de blessures lors de l'utilisation de l'appareil, il convient d'observer certaines précautions fondamentales, notamment :

- Position des grilles du four – toujours placer les grilles à la position souhaitée lorsque le four est froid. Si une grille doit être déplacée pendant que le four est chaud, ne pas laisser la poignée entrer en contact avec l'élément chaud du four.

### Pour les fours autonettoyants :

- Ne pas nettoyer le joint de la porte – Le joint de la porte est essentiel pour une bonne étanchéité. Faire attention à ne pas frotter, endommager ou déplacer le joint.
- Ne pas utiliser de revêtement de protection pour recouvrir le four et ne pas utiliser de nettoyant commercial pour four, sauf s'il est certifié pour une utilisation dans les fours autonettoyants.
- Ne nettoyer que les pièces indiquées.

**AVERTISSEMENT :** NE PAS LAISSER D'ALIMENTS OU D'USTENSILES DE CUISSON, ETC., DANS LE FOUR PENDANT LE FONCTIONNEMENT DU MODE D'AUTONETTOYAGE PYROLYTIC.

- Avant d'effectuer l'autonettoyage du four – Retirer la lèchefrite et les autres ustensiles, puis essuyer tous les excès de déversement.

### Pour les cuisinières et fours intelligents :

- Utilisation à distance – cet appareil peut être configuré pour permettre l'utilisation à distance en tout temps. Ne pas ranger de matériaux inflammables ou sensibles à la température sur le dessus ou près de la surface de l'appareil.

## CONSERVER CES INSTRUCTIONS

### Guide de connexion Internet pour appareils connectés seulement

**IMPORTANT :** Il est de la responsabilité de l'utilisateur de bien installer l'appareil avant de l'utiliser. Bien lire et suivre le guide d'installation qui accompagne l'appareil.

La connectabilité nécessite un réseau Wi-Fi et la création d'un compte. Les fonctions de l'application peuvent changer. Des frais de transfert de données peuvent s'appliquer. Une fois installée, lancer l'application. Suivre les étapes de configuration du compte d'utilisateur et de connexion de l'appareil.

#### Il faut :

- Un routeur sans fil compatible Wi-Fi à 2,4 GHz avec sécurité WPA2. Pour vérifier les capacités du routeur, consulter le manuel d'instructions du fabricant du routeur.
- Le routeur devra être en marche et connecté à Internet.
- Le numéro SAID à 10 caractères de votre appareil. Le numéro SAID est imprimé sur une étiquette collée sur l'appareil ou peut être affiché à l'écran ACL.

#### Déclaration de conformité de la Commission fédérale des communications (FCC)

Cet appareil est conforme à la norme FCC, partie 15. Le bon fonctionnement de l'appareil est fonction de deux conditions :

1. Cet appareil ne doit pas produire de brouillage dommageable et
2. cet appareil doit accepter tout brouillage radioélectrique subi, même si le brouillage est susceptible d'en compromettre le fonctionnement.

Tous changements ou toutes modifications n'ayant pas été expressément approuvés par la partie responsable de la conformité pourraient annuler l'autorité de l'utilisateur à utiliser l'appareil.

#### Déclaration de conformité d'Industrie Canada (IC)

Cet appareil satisfait aux prescriptions des documents CNR/RSS d'Industrie Canada (utilisation sans licence). Le bon fonctionnement de l'appareil est fonction de deux conditions :

1. Cet appareil ne doit pas produire de brouillage.
2. Cet appareil doit être compatible avec n'importe quelle interférence, y compris des interférences causées par l'utilisation involontaire de l'appareil.

En vertu des règlements d'Industrie Canada, cet émetteur radio ne peut fonctionner qu'à l'aide d'une antenne d'un type et de gain maximum (ou moins) approuvé pour l'émetteur par Industrie Canada. Pour réduire les interférences radio potentielles pour les autres utilisateurs, le type d'antenne et son gain doivent être choisis de sorte que la puissance isotrope rayonnée équivalente (PIRE) ne dépasse pas ce qui est nécessaire pour une communication réussie.

Pour satisfaire aux exigences de la FCC et d'Industrie Canada sur l'exposition aux radiations de radiodiffusion, les antennes utilisées avec cet émetteur doivent être installées de telle sorte qu'il y ait une distance de 20 cm ou plus séparant la source de radiation (antenne) et toute personne en tout temps et ne doit pas être co-utilisée ou fonctionner en même temps qu'une autre antenne ou qu'un émetteur.

Si cet appareil cause des interférences nuisibles à la réception radio ou télévision, pouvant être déterminées par le fait d'allumer et d'éteindre l'appareil, l'utilisateur est encouragé à essayer de corriger les interférences en suivant l'un des conseils suivants :

- Réorienter ou déplacer l'antenne de réception.
- Augmenter la distance séparant l'appareil du récepteur.
- Brancher l'appareil sur un circuit différent de celui où le récepteur est branché.
- Contacter un revendeur ou un technicien radio/télévision qualifié pour obtenir de l'aide.

# ENTRETIEN ET RÉPARATION DU FOUR

## Nettoyage général

**IMPORTANT :** Avant le nettoyage, s'assurer que toutes les commandes sont désactivées et que le four est froid. Toujours suivre les instructions figurant sur les étiquettes des produits de nettoyage.

L'usage de savon, d'eau et d'un chiffon doux ou d'une éponge est suggéré en priorité, sauf indication contraire.

## SURFACES EN ÉMAIL VITRIFIÉ UNIQUEMENT (sur certains modèles)

Les éclaboussures alimentaires acides, telles que vinaigre et tomate, doivent être nettoyées dès que le four a refroidi. Ces salissures peuvent endommager le fini.

### Méthode de nettoyage :

- Nettoyant à vitre, nettoyant doux liquide ou tampon à récurer non abrasif :  
Nettoyer délicatement autour de la plaque signalétique, car le frottement pourrait en effacer les chiffres.
- Nettoyant affresh®† pour cuisine et appareils ménagers – numéro de pièce W10355010 (vendu séparément) :  
Consulter le Guide de démarrage rapide pour les informations de commande.

## ACIER INOXYDABLE (sur certains modèles)

**REMARQUE :** Afin d'éviter d'endommager les surfaces en acier inoxydable, ne pas utiliser de tampons à récurer savonneux, de nettoyants abrasifs, de tampons en laine d'acier, de chiffons de lavage rêches ou d'essuie-tout abrasifs. Ils peuvent endommager les surfaces en acier inoxydable, même après une seule ou quelques applications.

### Méthode de nettoyage :

Frotter dans la direction du grain pour éviter les dommages.

- Nettoyant affresh® pour acier inoxydable – pièce no W10355016 (non fournie) :  
Consulter le Guide de démarrage rapide pour les informations de commande.

## ACIER INOXYDABLE ET ACIER INOXYDABLE NOIR (sur certains modèles)

Afin d'éviter d'endommager les surfaces en acier inoxydable ou en acier inoxydable noir, ne pas utiliser de tampons à récurer savonneux, de nettoyants abrasifs, de crème à polir pour table de cuisson, de tampons en laine d'acier, de chiffons de lavage rêches ou d'essuie-tout abrasifs.

### Méthode de nettoyage :

Frotter dans la direction du grain pour éviter les dommages.

- Nettoyant affresh® pour acier inoxydable – pièce no W10355016 (non fournie) ou lingette de nettoyage affresh® pour acier inoxydable – pièce no W10355049 (non fournie) :  
Consulter le Guide de démarrage rapide pour les informations de commande.

## PEINTURE MÉTALLIQUE (sur certains modèles)

Ne pas utiliser de nettoyants abrasifs, de nettoyants avec agent de blanchiment, de produits antirouille, d'ammoniaque ou d'hydroxyde de sodium (soude), car la surface peinte pourrait se tacher.

## TABLEAU DE COMMANDE ET EXTÉRIEUR DE LA PORTE DU FOUR

Afin d'éviter d'endommager le tableau de commande, ne pas utiliser de nettoyants abrasifs, de tampons en laine d'acier, de chiffons de lavage rêches ou d'essuie-tout abrasifs.

### Méthode de nettoyage :

- Nettoyant à vitre et chiffon doux ou éponge :  
Appliquer le nettoyant à vitre sur un chiffon doux ou une éponge et non directement sur le tableau.
- Nettoyant affresh® pour cuisine et appareils ménagers – numéro de pièce W10355010 (vendu séparément) :  
Consulter le Guide de démarrage rapide pour les informations de commande.

**REMARQUE :** Pour nettoyer le creux, la porte du four doit d'abord être enlevée. Voir la section « Porte du four ».

## GRILLES DU FOUR

### Méthode de nettoyage :

- Tampon en laine d'acier.
- Pour les grilles ternies qui glissent difficilement, enduire légèrement les glissières d'huile végétale; cela facilitera leur glissement.

## INTÉRIEUR DE LA PORTE DE LA CAVITÉ DU FOUR

Ne pas utiliser de nettoyants à four.

Les éclaboussures alimentaires doivent être nettoyées une fois le four refroidi. À haute température, les aliments réagissent avec l'émail et peuvent provoquer la formation de taches, une attaque acide, des piqûres ou des décolorations blanchâtres.

### Méthode de nettoyage :

- Programme d'autonettoyage :  
Voir d'abord la section « Programme d'autonettoyage ». Retirer les grilles pour qu'elles ne décolorent pas et qu'elles ne deviennent pas difficiles à faire glisser. Le cas échéant, une légère couche d'huile végétale appliquée sur les glissières facilitera le glissement des grilles.
- Pour un nettoyage optimal de la porte, essuyer tout dépôt avec une éponge humide avant de lancer le programme.

†Affresh® est une marque déposée de Whirlpool, É.-U.

## ACCESSOIRES ALIMENTÉS (sur certains modèles)

Afin d'éviter d'endommager la surface antiadhésive, ne pas utiliser de nettoyants abrasifs, de tampons en laine d'acier, de chiffons de lavage rêches ou d'essuie-tout abrasifs. Les éclaboussures alimentaires doivent être nettoyées une fois l'accessoire alimenté refroidi.

### ⚠ AVERTISSEMENT



#### Risque de décharge électrique

**Ne pas plonger l'élément chauffant dans l'eau ou le placer au lave-vaisselle.**

**Le non-respect de cette instruction peut causer un décès ou une décharge électrique.**

Ne pas faire tremper ou immerger l'élément chauffant.

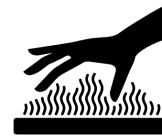
#### Méthode de nettoyage :

- Savon, eau et chiffon doux ou éponge : Essuyer l'élément chauffant lorsqu'il est froid. Tous les accessoires peuvent être nettoyés à l'aide d'une eau chaude savonneuse et d'un chiffon doux ou d'une éponge.
- Lave-vaisselle : Le plateau inférieur, l'accessoire de gril, la pierre de cuisson et le cuiseur-vapeur peuvent être lavés au lave-vaisselle.
- Nettoyant affresh® Nettoyant pour table de cuisson : Les taches tenaces de la pierre de cuisson peuvent être nettoyées à l'aide de bicarbonate de soude et d'une éponge douce et robuste. Frotter la crème sur la surface avec un essuie-tout ou un linge doux humide. Continuer de frotter jusqu'à ce que la pellicule blanche disparaisse.

Consulter le guide d'utilisation de l'accessoire alimenté pour four intelligent pour obtenir des instructions détaillées.

## Programme d'autonettoyage

### ⚠ WARNING



#### Risque de brûlures

**Ne pas toucher le four au cours du programme d'autonettoyage.**

**Garder les enfants loin du four au cours du programme d'autonettoyage.**

**Le non-respect de ces instructions peut causer des brûlures.**

**IMPORTANT :** La santé de certains oiseaux est très sensible aux émanations qui surviennent durant le programme d'autonettoyage. L'exposition aux émanations peut entraîner la mort de certains oiseaux. Toujours déplacer les oiseaux dans une autre pièce fermée et bien aérée.

Procéder à l'autonettoyage du four avant qu'il ne devienne très sale. Les saletés intenses nécessitent un nettoyage plus long et dégagent plus de fumée.

Veiller à ce que la cuisine soit bien aérée pendant le programme d'autonettoyage afin d'aider à éliminer la chaleur, les odeurs et la fumée.

Ne pas obstruer le ou les événements du four durant le programme d'autonettoyage. L'air doit pouvoir circuler librement. Voir la section « Événements du four ».

Ne pas nettoyer, frotter, endommager ou déplacer le joint d'étanchéité de la porte du four. Le joint de la porte est essentiel pour une bonne étanchéité.

#### Préparation du four :

- Sortir du four la lèchefrite, les grilles et les ustensiles de cuisson au four et, sur certains modèles, la sonde thermométrique.
- Sortir les grilles du four pour les garder brillantes et pour qu'elles glissent facilement. Voir la section « Nettoyage général » pour plus de renseignements.
- Enlever tout papier d'aluminium du four; celui-ci risquerait de brûler ou de fondre et d'endommager le four.
- Nettoyer manuellement l'intérieur de la porte et une zone de 1 1/2 po (3,8 cm) sur le pourtour du cadre de la cavité du four, en prenant soin de ne pas déplacer ni plier le joint d'étanchéité. Cette section ne devient pas assez chaude au cours du programme d'autonettoyage pour pouvoir éliminer la saleté. Ne pas laisser d'eau, de nettoyant, etc. pénétrer dans les fentes du cadre de la porte. Nettoyer avec un chiffon humide.
- Essuyer toute saleté décollée afin de réduire la fumée et d'éviter les dommages. À des températures élevées, les aliments réagissent avec la porcelaine. Cette réaction peut causer des taches, des attaques, des piqûres ou de légères taches blanches. Ceci est normal et n'affecte pas la performance de cuisson.



## IMPORTANT :

- La température du four doit être inférieure à 500 °F (260 °C) pour pouvoir programmer un programme de nettoyage.
- Fours doubles uniquement : On ne peut nettoyer qu'un seul four à la fois.
- Fours doubles uniquement : Les portes des deux fours se verrouillent lorsque l'un ou l'autre four exécute le programme d'autonettoyage.

### Comment fonctionne le programme

**IMPORTANT :** Le chauffage et le refroidissement de la porcelaine sur l'acier dans le four peuvent causer une décoloration, une perte de lustre, des fissures minuscules et des craquements.

Le programme d'autonettoyage utilise des températures très élevées, brûlant les saletés pour les réduire en cendre.

**REMARQUE :** Il doit s'écouler un délai de 12 heures avant le début du prochain cycle d'autonettoyage.

Lorsque le four a complètement refroidi, retirer la cendre avec un chiffon humide. Afin d'éviter de briser le verre, ne pas appliquer de chiffon humide et froid sur la partie interne du hublot de la porte avant qu'il n'ait complètement refroidi.

Les lampes du four ne fonctionnent pas durant le programme d'autonettoyage.

**REMARQUE :** Le four possède un moteur de ventilateur de refroidissement à deux vitesses. Pendant le programme d'autonettoyage, les ventilateurs fonctionneront à la vitesse la plus élevée pour augmenter le flux d'air et faciliter l'évacuation de l'air chaud par les événements du four. Une augmentation du bruit peut être constatée pendant et après le programme d'autonettoyage jusqu'au refroidissement du four.

Avant l'autonettoyage, s'assurer que la porte est complètement fermée sinon elle ne se verrouillera pas et le programme ne commencera pas. Lorsque le four est verrouillé, les portes du four ne peuvent être ouvertes. Pour éviter d'endommager les portes, ne pas les forcer ouvertes lorsqu'elles sont verrouillées.

### Pour utiliser l'autonettoyage :

**REMARQUE :** Pour obtenir des instructions spécifiques concernant l'autonettoyage de votre modèle, consulter le Guide de commande en ligne de votre modèle.

1. Fermer la porte et (pour certains modèles) appuyer sur la touche Tools (outils).
2. Sélectionner l'icône Self-Clean (autonettoyage).
3. (Sur les modèles à four double) Sélectionner la cavité supérieure ou la cavité inférieure. Sur certains modèles, sélectionner le chiffre « 1 » ou « 2 » pour choisir le four à nettoyer.
4. Sélectionner la durée ou le niveau de nettoyage. Ceci aura une incidence sur la durée qui peut être de 3 à 6 heures incluant le refroidissement. Si ce modèle possède l'option « Steam Clean » (nettoyage à la vapeur), consulter la section « Nettoyage à la vapeur ».
5. (Sur les modèles sélectionnés) Suivre les directives à l'écran pour préparer le four.
6. Sélectionner Start (mise en marche) OU (sur les modèles sélectionnés) Sélectionnez Delay Start (mise en marche différée) pour utiliser un programme d'autonettoyage différé. Consulter la section « Mise en marche différée du programme d'autonettoyage ». Les portes du four se verrouilleront automatiquement.

**REMARQUE :** La porte peut ne pas se verrouiller immédiatement après la mise en marche du programme d'autonettoyage. Les portes se déverrouilleront automatiquement une fois le programme d'autonettoyage terminé et le four refroidi.

7. Lorsque le four a complètement refroidi, retirer la cendre avec un chiffon humide.

## Delay Start (mise en marche différée) : (sur certains modèles)

Selon le modèle, le four peut être en mesure d'effectuer une mise en marche différée du programme d'autonettoyage. L'utilisateur pourrait utiliser une des méthodes énumérées ci-dessous.

**REMARQUE :** Pour obtenir des instructions spécifiques concernant la mise en marche différée de l'autonettoyage de votre modèle, consulter le Guide de commande en ligne de votre modèle.

### Version A :

1. Suivre les étapes 1 à 5 de la section « Auronettoyage ».
2. Sélectionner Delay Start (mise en marche différée).
3. Sélectionner l'heure de départ du programme d'autonettoyage en naviguant de gauche à droite.
4. Sélectionner Start Delay (démarrer la mise en marche différée).

Les portes du four vont se verrouiller automatiquement après le début du compte à rebours. Lorsque le programme d'autonettoyage est terminé et que le four est froid, les portes du four se déverrouillent.

5. Lorsque le four a complètement refroidi, retirer la cendre avec un chiffon humide.

### Version B :

1. Fermer les portes du four, puis appuyer sur Delay Start (mise en marche différée)
2. (Sur les modèles à four double) Sélectionner la cavité supérieure ou la cavité inférieure. Sur certains modèles, sélectionner le chiffre « 1 » ou « 2 » pour choisir le four à nettoyer.
3. Appuyer sur les touches numériques pour entrer la durée différée du programme.
4. Appuyer sur Self Clean (autonettoyage).
5. Sélectionner le niveau de nettoyage.
6. Appuyer sur le bouton Start (mise en marche) correspondant au four sélectionné.

Les portes du four vont se verrouiller automatiquement après le début du compte à rebours.

Lorsque le programme d'autonettoyage est terminé et que le four est froid, les portes du four se déverrouillent.

7. Lorsque le four a complètement refroidi, retirer la cendre avec un chiffon humide.

### Pour arrêter le programme d'autonettoyage à tout moment :

Appuyer sur la touche Cancel (annuler) du clavier du four pour les modèles à four simple ou des claviers pour les modèles de four double. Si la température du four est trop élevée, la porte reste verrouillée. Elle ne se déverrouille pas tant que le four n'a pas refroidi.

## Steam Clean (nettoyage à la vapeur) (sur certains modèles)

La fonction de nettoyage à la vapeur est conçue pour un nettoyage léger de la cavité inférieure sur les modèles équipés d'un élément de cuisson dissimulé dans les deux fours.

Laisser le four refroidir et atteindre la température ambiante avant d'utiliser le programme de nettoyage à la vapeur. Si la température de la cavité du four est supérieure à 200 °F (93 °C), la fonction de nettoyage à la vapeur ne s'active pas. Elle attendra que la température soit moins élevée.

Retirer les grilles et accessoires de la cavité du four.

Pour de meilleurs résultats, utiliser 10 oz (295,7 mL) d'eau distillée ou filtrée. Ne pas utiliser de nettoyeurs à four.

La fonction de nettoyage à la vapeur fonctionne pendant environ 1 heure. Un signal sonore sera émis à la fin du programme.

**IMPORTANT :** Puisque l'eau dans le fond du four est chaude, ne pas ouvrir la porte du four pendant le cycle de nettoyage à la vapeur.

Toucher Oven Cancel (annulation de la fonction d'alimentation du four) ou Upper/Lower (supérieur/inférieur) sur les modèles à four double pour mettre fin au cycle en tout temps. L'affichage de l'heure est rétabli.

### Conseils utiles

- Une fois le programme de nettoyage à la vapeur terminé et le four complètement refroidi, essuyer l'eau restante dans le fond du four à l'aide d'une éponge ou d'un linge.
- Essuyer toute humidité présente dans l'intérieur du four, les parois latérales internes de la cavité du four et la table de cuisson.
- Utiliser une brosse à poils doux ou un ustensile de récurage en nylon pour essuyer l'intérieur du four. Ceci pourra être utile pour les taches les plus tenaces.
- Il est recommandé d'utiliser une eau distillée ou filtrée, car l'eau du robinet peut laisser des dépôts minéraux sur le fond du four. Utiliser un linge imbibé de vinaigre ou de jus de citron pour retirer tout dépôt de minéraux qui peut être présent après le programme de nettoyage à la vapeur.
- Si le four est très sale, utiliser le programme d'autonettoyage. Le programme de nettoyage à la vapeur peut être utilisé pour éliminer la majorité des débris, ce qui rendra le programme d'autonettoyage plus efficace.

### Nettoyage à la vapeur :

1. Ouvrir la porte du four sélectionné et retirer les grilles et accessoires de la cavité.
2. Verser 10 oz (295,7 mL) d'eau distillée ou filtrée dans le fond du four. Fermer ensuite la porte du four.
3. Appuyer sur la touche Tools (outils).  
(Sur les modèles à four double) Sélectionner la cavité supérieure ou la cavité inférieure.
4. Sélectionner STEAM CLEAN (nettoyage à la vapeur).
5. Sélectionner START (mise en marche).
6. Après environ 1 heure, une tonalité résonnera pour signaler que le programme est terminé. Toucher le clavier pour les modèles à four simple ou les claviers sur les modèles à four double pour réinitialiser l'affichage.
7. Lorsque le four a complètement refroidi, éponger l'excédant d'eau à l'aide d'une éponge ou d'un linge, puis essuyer l'intérieur du four. Au besoin, utiliser un tampon à récurer en cuivre non abrasif pour retirer les souillures tenaces.

## INSTRUCTIONS D'INSTALLATION SPÉCIFICATIONS

### Outils et pièces

Rassembler les outils et pièces nécessaires avant d'entreprendre l'installation. Lire et observer les instructions fournies avec chacun des outils de la liste ci-dessous.

#### Outils nécessaires

- Tournevis à tête cruciforme
- Ruban à mesurer
- Perceuse manuelle ou électrique (pour installation dans une armoire)
- Foret de 1 po (2,5 cm) (pour installation dans une armoire)
- Niveau
- Tournevis à tête plate

#### Pièces nécessaires

- Connecteur de conduit (homologation UL ou CSA)
- Connecteurs de fils (homologation UL)

#### Pièces fournies

- Vis no 8-14 x 3/4 po (1,9 cm) – four simple (2), four double (4)
- Vis no 8-18 x 3/8 po (9,5 mm) – événement inférieur (2)
- Vis no 8-18 x 3/8 po (9,5 mm) – protecteur d'événement inférieur (2)
- Vis no 8-18 x 3/8 po (9,5 mm) – garniture d'événement inférieur (4)
- Pieds arrière – four double (2)
- Pieds avant – four double (2)
- Événement inférieur et protecteur

Consulter les codes locaux. Vérifier l'alimentation électrique existante. Voir la section « Spécifications électriques ».

Il est recommandé de faire réaliser tous les raccordements électriques par un électricien qualifié agréé.

**REMARQUE :** S'assurer d'acheter uniquement des pièces et des accessoires Whirlpool certifiés par le fabricant de l'appareil. Il se peut que l'installation nécessite des pièces supplémentaires. Pour commander, consulter les coordonnées indiquées dans le guide de démarrage rapide.

## Exigences d'emplacement

**IMPORTANT :** Observer les dispositions de tous les codes et règlements en vigueur.

- Pour éliminer les risques de brûlure ou d'incendie en se penchant au-dessus d'une surface qui chauffe, il est déconseillé d'utiliser l'espace de rangement des armoires situées au-dessus de l'appareil. Si des armoires de rangement sont envisagées, le risque peut être réduit par l'installation d'une hotte de cuisinière dépassant le bas des armoires d'au moins 5 po (12,7 cm) horizontalement.
- Respecter les dimensions indiquées pour les ouvertures à découper dans les armoires. Ces dimensions tiennent compte des dégagements de séparation nécessaires pour le four.
- L'espace d'installation dans un encastrément doit permettre la formation d'une enceinte complète autour de la partie encastrée du four.
- Une source d'électricité avec liaison à la terre est nécessaire. Voir la section « Spécifications électriques ».
- Le boîtier de connexion doit être situé 3 po (7,6 cm) maximum au-dessous de la surface d'appui lorsque le four est installé dans une armoire murale. Un trou d'un diamètre minimum de 1 po (2,5 cm) doit avoir été percé dans l'angle arrière gauche ou arrière droit de la surface de support pour le passage du câble d'alimentation de l'appareil jusqu'au boîtier de connexion.

**REMARQUE :** Pour l'installation sous un comptoir, on recommande que le boîtier de connexion soit situé dans l'armoire adjacente, à droite ou à gauche. Si le boîtier de connexion est installé sur le mur derrière le four, nous recommandons qu'il soit encastré et situé dans la partie supérieure centrale de l'armoire.

- La surface de support du four doit être robuste, horizontale et en affleurement avec le bas de l'ouverture découpée dans l'armoire.
- Pour un modèle simple de 30 po (76,2 cm), le plancher doit pouvoir supporter un poids de 200 lb (91 kg).
- Pour un modèle double de 30 po (76,2 cm), le plancher doit pouvoir supporter un poids de 330 lb (150 kg).

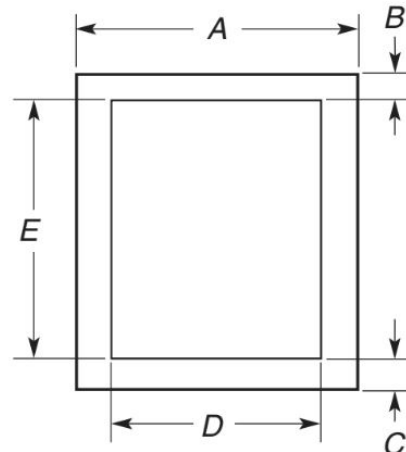
**IMPORTANT :** Pour éviter d'endommager les armoires, consulter le constructeur de la maison ou le fabricant des armoires pour déterminer si les matériaux utilisés peuvent subir un changement de couleur, une déstratification ou d'autres dommages. Ce four a été conçu conformément aux exigences des normes UL et CSA International et respecte les températures maximales permises de 194 °F (90 °C) pour les armoires en bois.

## Installation sous un comptoir (avec table de cuisson installée au-dessus) :

Les fours homologués pour ce type d'installation comportent une étiquette d'homologation placée sur le dessus du four. Consulter la section « Four installé sous la table de cuisson – Dimensions pour l'ouverture à découper ».

## Dimensions de l'armoire – Four simple, installation standard

### Four simple sous le comptoir (sans table de cuisson au-dessus)



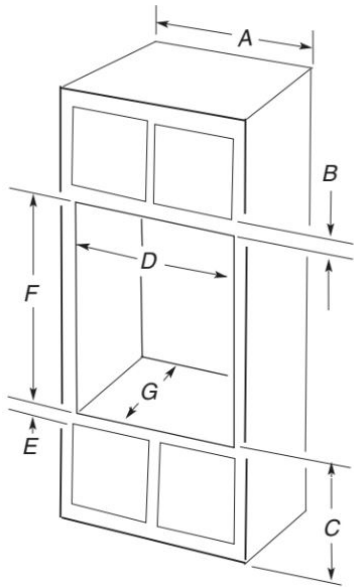
#### Modèles de 27 po (68,6 cm)

- A. 27 po (68,6 cm) de largeur minimum pour l'armoire
- B. 1 1/2 po (3,8 cm) minimum du dessus de la découpe au-dessous du plan de travail
- C. Du bas de la découpe au plancher : 5 1/4 po (13,3 cm)
- D. 25 1/2 po (64,8 cm) de largeur minimum pour l'ouverture découpée
- E. 28 po (71,2 cm) de hauteur minimum pour l'ouverture

#### Modèles de 30 po (76,2 cm)

- A. 30 po (76,2 cm) de largeur minimum pour l'armoire
- B. 1 1/2 po (3,8 cm) minimum du dessus de la découpe au-dessous du plan de travail
- C. Du bas de la découpe au plancher : 5 1/4 po (13,3 cm)
- D. 28 1/2 po (72,4 cm) de largeur minimum pour l'ouverture découpée
- E. 28 po (71,2 cm) de hauteur minimum pour l'ouverture

## Fours simples installés dans une armoire



### Modèles de 27 po (68,6 cm)

- A. 27 po (68,6 cm) de largeur minimum pour l'armoire
- B. Du sommet de la découpe au bas de la porte de l'armoire supérieure : 1 1/4 po (3,2 cm)
- C. 32 po (81,3 cm) du fond de la découpe au plancher
- D. 25 1/2 po (64,8 cm) de largeur minimum pour l'ouverture découpée
- E. 1 1/2 po (3,8 cm) minimum entre le bas de l'encastrement et le haut de la porte de l'armoire supérieure
- F. 28 po (71,2 cm) de hauteur recommandé pour la découpe
- G. 24 po (60,7 cm) de profondeur de découpe

### Modèles de 30 po (76,2 cm)

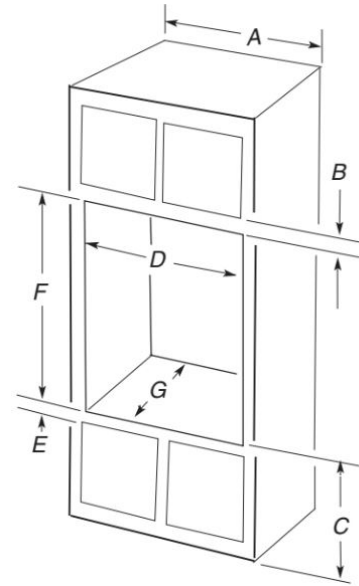
- A. 30 po (76,2 cm) de largeur minimum pour l'armoire
- B. Du sommet de la découpe au bas de la porte de l'armoire supérieure : 1 1/4 po (3,2 cm)
- C. 32 po (81,3 cm) du fond de la découpe au plancher
- D. 28 1/2 po (72,4 cm) de largeur minimum pour l'ouverture découpée
- E. 1 1/2 po (3,8 cm) minimum entre le bas de l'encastrement et le haut de la porte de l'armoire supérieure
- F. 28 po (71,2 cm) de hauteur recommandé pour la découpe
- G. 24 po (60,7 cm) de profondeur de découpe

**\*REMARQUE :** Pour les fours simples, la hauteur de la découpe peut être comprise entre 26 15/16 po et 29 7/16 po (68,4 cm et 74,8 cm).

**\*REMARQUE :** Grand protecteur pour une installation supérieure à 28 11/16 po (72,9 cm).

## Dimensions de l'armoire – Fours doubles, installations en affleurement

### Fours doubles installés dans une armoire



### Modèles de 27 po (68,6 cm)

- A. 27 po (68,6 cm) de largeur minimum pour l'armoire
- B. Du sommet de la découpe au bas de la porte de l'armoire supérieure : 1 1/4 po (3,2 cm)
- C. 14 3/4 po (37,5 cm) du fond de l'encastrement au plancher (recommandé). Une distance de 4 po à 14 3/4 po (10,2 cm à 37,5 cm) entre le bas de l'ouverture et le plancher est acceptable.
- D. 25 1/2 po (64,8 cm) de largeur minimum pour l'ouverture découpée
- E. 1 1/2 po (3,8 cm) minimum entre le bas de l'encastrement et le haut de la porte de l'armoire supérieure
- F. Hauteur recommandée de la découpe : 50 1/4 po (127,6 cm)\*
- G. 24 po (60,7 cm) de profondeur de découpe

### Modèles de 30 po (76,2 cm)

- A. 30 po (76,2 cm) de largeur minimum pour l'armoire
- B. Du sommet de la découpe au bas de la porte de l'armoire supérieure : 1 1/4 po (3,2 cm)
- C. 14 3/4 po (37,5 cm) du fond de l'encastrement au plancher (recommandé). Une distance de 4 po à 14 3/4 po (10,2 cm à 37,5 cm) entre le bas de l'ouverture et le plancher est acceptable.
- D. 28 1/2 po (72,4 cm) de largeur minimum pour l'ouverture découpée
- E. 1 1/2 po (3,8 cm) minimum entre le bas de l'encastrement et le haut de la porte de l'armoire supérieure
- F. Hauteur recommandée de la découpe : 50 1/4 po (127,6 cm)\*
- G. 24 po (60,7 cm) de profondeur de découpe

**\*REMARQUE :** Pour les fours doubles, la hauteur de la découpe peut être comprise entre 48 7/8 po et 52 3/16 po (124,1 cm et 132,6 cm).

**\*REMARQUE :** Communiquer avec le service pour obtenir un grand protecteur pour une ouverture supérieure à 28 11/16 po (72,9 cm) pour améliorer l'installation.

## Dimensions de l'armoire – Fours simples, installations en affleurement

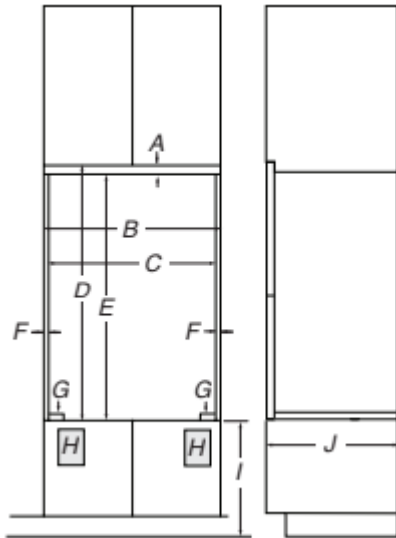
**REMARQUE :** Il s'agit d'un choix alternatif pour installer votre produit dans une armoire et obtenir un style en affleurement. Pour une installation standard, consulter la section « Dimensions de l'armoire – Four simple, installation standard ».

L'ouverture doit avoir une profondeur minimum de 25 po (63,5 cm).

Ces dimensions donneront un dégagement de 1/4 po (6 mm) au sommet, un dégagement de 1/4 po (6 mm) sur les côtés et un dégagement de 1/8 po (3 mm) au bas du four mural.

Le côté avant des tasseaux et de la plate-forme sera visible et doit être traité comme une surface de finition.

### Fours simples installés dans une armoire



Vue de face

Vue latérale

#### Modèles de 27 po (68,6 cm)

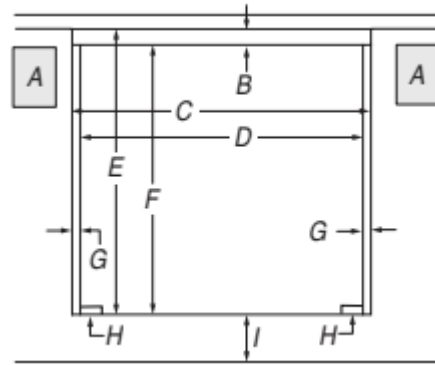
- A. Tasseau supérieur de 3/4 po (1,9 cm)\*
- B. 27 1/4 po (69,2 cm) de largeur minimum d'ouverture intégrée en affleurement
- C. 25 7/8 po (65,7 cm) de largeur minimum pour l'ouverture
- D. 29 1/4 po (74,3 cm) de hauteur minimum pour l'ouverture intégrée en affleurement
- E. 28 1/2 po (72,4 cm) de hauteur recommandé pour la découpe
- F. Tasseau latéral de 11/16 po (1,7 cm)\*
- G. 1/4 po x 2 po (6,4 mm x 5,1 cm) pour la cale d'espacement sur la profondeur totale de l'ouverture\*
- H. Emplacement recommandé pour la boîte de jonction
- I. 4 5/8 po à 32 po (11,7 à 81,3 cm) du fond de la découpe au plancher
- J. 25 po (63,5 cm) de profondeur minimum pour l'ouverture

#### Modèles de 30 po (76,2 cm)

- A. Tasseau supérieur de 3/4 po (1,9 cm)\*
- B. 30 1/4 po (76,8 cm) de largeur minimum d'ouverture intégrée en affleurement
- C. 28 7/8 po (73,3 cm) de largeur minimum pour l'ouverture
- D. 29 1/4 po (74,3 cm) de hauteur minimum pour l'ouverture intégrée en affleurement
- E. 28 1/2 po (72,4 cm) de hauteur recommandé pour la découpe
- F. Tasseau latéral de 11/16 po (1,7 cm)\*
- G. 1/4 po x 2 po (6,4 mm x 5,1 cm) pour la cale d'espacement sur la profondeur totale de l'ouverture\*
- H. Emplacement recommandé pour la boîte de jonction
- I. 4 5/8 po à 32 po (11,7 à 81,3 cm) du fond de la découpe au plancher
- J. 25 po (63,5 cm) de profondeur minimum pour l'ouverture

\* Les tasseaux et cales doivent être encastrés de 1 3/8 po (3,5 cm) de la face inférieure de l'armoire.

## Four simple sous le plan de travail – sans table de cuisson au-dessus



Vue de face

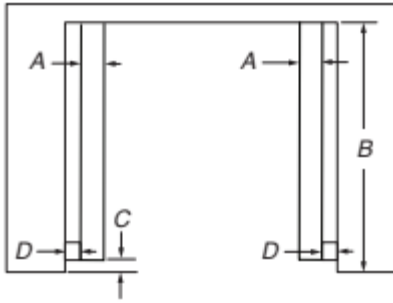
#### Modèles de 27 po (68,6 cm)

- A. Emplacement recommandé pour la boîte de jonction
- B. Tasseau supérieur de 3/4 po (1,9 cm)
- C. 27 1/4 po (69,2 cm) de largeur minimum d'ouverture intégrée en affleurement
- D. 25 7/8 po (65,7 cm) de largeur minimum pour l'ouverture
- E. 29 1/4 po (74,3 cm) de hauteur minimum pour l'ouverture intégrée en affleurement
- F. 28 1/2 po (72,4 cm) de hauteur recommandé pour la découpe
- G. Tasseau latéral de 11/16 po (1,7 cm)\*
- H. 1/4 po x 2 po (6,4 mm x 5,1 cm) pour la cale d'espacement sur la profondeur totale de l'ouverture
- I. 4 5/8 po (11,7 cm) du fond de la découpe au plancher

#### Modèles de 30 po (76,2 cm)

- A. Emplacement recommandé pour la boîte de jonction
- B. Tasseau supérieur de 3/4 po (1,9 cm)\*
- C. 30 1/4 po (76,8 cm) de largeur minimum d'ouverture intégrée en affleurement
- D. 28 7/8 po (73,3 cm) de largeur minimum pour l'ouverture
- E. 29 1/4 po (74,3 cm) de hauteur minimum pour l'ouverture intégrée en affleurement
- F. 28 1/2 po (72,4 cm) de hauteur recommandé pour la découpe
- G. Tasseau latéral de 11/16 po (1,7 cm)\*
- H. 1/4 po x 2 po (6,4 mm x 5,1 cm) pour la cale d'espacement sur la profondeur totale de l'ouverture\*
- I. 4 5/8 po (11,7 cm) du fond de la découpe au plancher

\* Les tasseaux et cales doivent être encastrés de 1 3/8 po (3,5 cm) de la face inférieure de l'armoire.



Vue de dessus

**Modèles de 27 po (68,6 cm)**

- A. 1/4 po x 2 po (0,64 cm x 5,1 cm) pour la cale d'espacement sur la profondeur totale de l'ouverture\*
- B. 25 po (63,5 cm) de profondeur pour l'ouverture
- C. 1 3/8 po (3,5 cm) pour l'encastrement à partir de l'avant de l'armoire
- D. Tasseau latéral de 11/16 po (1,7 cm)\*

**Modèles de 30 po (76,2 cm)**

- A. 1/4 po x 2 po (0,64 cm x 5,1 cm) pour la cale d'espacement sur la profondeur totale de l'ouverture\*
- B. 25 po (63,5 cm) de profondeur pour l'ouverture
- C. 1 3/8 po (3,5 cm) pour l'encastrement à partir de l'avant de l'armoire
- D. Tasseau latéral de 11/16 po (1,7 cm)\*

\* Les tasseaux et cales doivent être encastrés de 1 3/8 po (3,5 cm) de la face inférieure de l'armoire.

**Dimensions de l'armoire – Fours doubles, installations en affleurement**

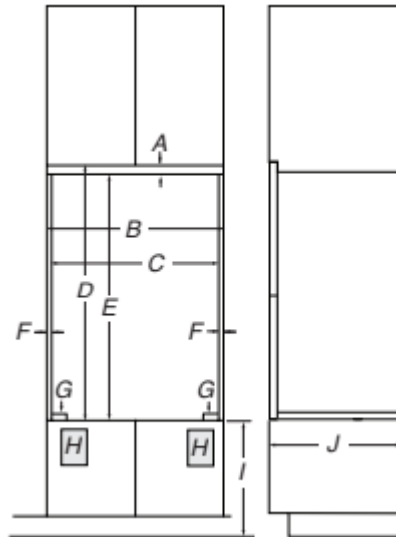
**REMARQUE :** Il s'agit d'un choix alternatif pour installer votre produit dans une armoire et obtenir un style en affleurement. Pour une installation standard, consulter la section « Dimensions de l'armoire – Four double, installation standard ».

Une ouverture de 25 3/8 po (64,4 cm) minimum est requise.

Ces dimensions donneront un dégagement de 1/4 po (6 mm) au sommet, un dégagement de 1/4 po (6 mm) sur les côtés et un dégagement de 1/8 po (3 mm) au bas du four mural.

Le côté avant des tasseaux et de la plate-forme sera visible et doit être traité comme une surface de finition

**Fours doubles installés dans une armoire**



Vue de face

Vue latérale

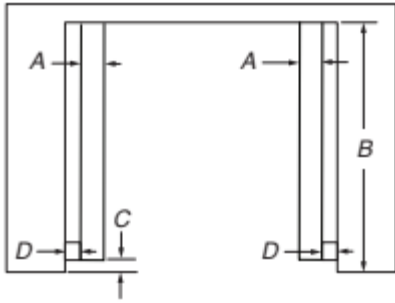
**Modèles de 27 po (76,2 cm)**

- A. Tasseau supérieur de 9/16 po (1,4 cm)\*
- B. 27 1/4 po (69,2 cm) de largeur minimum d'ouverture intégrée en affleurement
- C. 25 7/8 po (65,7 cm) de largeur minimum pour l'ouverture
- D. 52 po (132,1 cm) de hauteur minimum pour l'ouverture intégrée en affleurement
- E. Hauteur recommandée de la découpe : 51 7/16 po (130,6 cm)
- F. Tasseau latéral de 11/16 po (1,7 cm)\*
- G. 1/4 po x 2 po (0,64 cm x 5,1 cm) pour la cale d'espacement sur la profondeur totale de l'ouverture\*
- H. H. Emplacement recommandé pour la boîte de jonction
- I. 4 5/8 po à 14 3/4 po (11,7 à 37,5 cm) du fond de la découpe au plancher
- J. Profondeur minimum de la découpe : 25 3/8 po (64,4 cm)

**Modèles de 30 po (76,2 cm)**

- A. Tasseau supérieur de 9/16 po (1,4 cm)\*
- B. 30 1/4 po (76,8 cm) de largeur minimum d'ouverture intégrée en affleurement
- C. 28 7/8 po (73,3 cm) de largeur minimum pour l'ouverture
- D. 52 po (132,1 cm) de hauteur minimum pour l'ouverture intégrée en affleurement
- E. Hauteur recommandée de la découpe : 51 7/16 po (130,6 cm)
- F. Tasseau latéral de 11/16 po (1,7 cm)\*
- G. 1/4 po x 2 po (0,64 cm x 5,1 cm) pour la cale d'espacement sur la profondeur totale de l'ouverture\*
- H. Emplacement recommandé pour la boîte de jonction
- I. 4 5/8 po à 32 po (11,7 à 81,3 cm) du fond de la découpe au plancher
- J. Profondeur minimum de la découpe : 25 3/8 po (64,4 cm)

\* Les tasseaux et les cales d'espacement doivent être encastrés à 1 3/8 po (3,5 cm) depuis l'avant du placard.



Vue de dessus

**Modèles de 27 po (68,6 cm)**

- A. 1/4 po x 2 po (0,64 cm x 5,1 cm) pour la cale d'espacement sur la profondeur totale de l'ouverture\*
- B. Profondeur de la découpe : 25 3/8 po (64,4 cm)
- C. 1 3/8 po (3,5 cm) pour l'encastrement à partir de l'avant de l'armoire
- D. Tasseau latéral de 11/16 po (1,7 cm)\*

**Modèles de 30 po (76,2 cm)**

- A. 1/4 po x 2 po (0,64 cm x 5,1 cm) pour la cale d'espacement sur la profondeur totale de l'ouverture\*
- B. Profondeur de la découpe : 25 3/8 po (64,4 cm)
- C. 1 3/8 po (3,5 cm) pour l'encastrement à partir de l'avant de l'armoire
- D. Tasseau latéral de 11/16 po (1,7 cm)\*

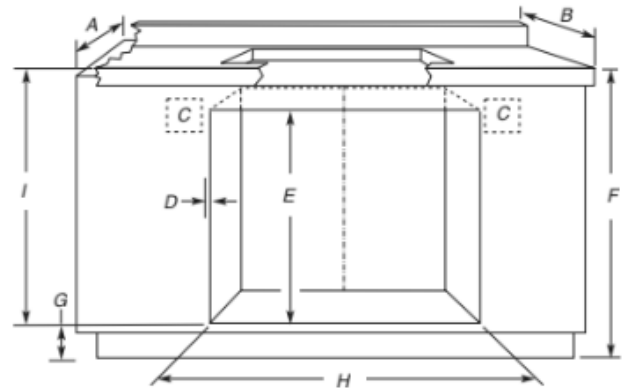
\* Les tasseaux et les cales d'espacement doivent être encastrés à 1 3/8 po (3,5 cm) depuis l'avant du placard.

**Four installé sous la table de cuisson – Dimensions pour l'ouverture à découper**

**IMPORTANT :** Observer les dispositions de tous les codes et règlements en vigueur. La table de cuisson doit être homologuée pour une utilisation au-dessus d'un four. Pour les dimensions de l'ouverture à découper, voir les instructions d'installation de la table de cuisson. Centrer l'ouverture à découper pour la table de cuisson par rapport à l'ouverture découpée pour le four.

Pour éviter d'endommager les armoires, consulter le constructeur de la maison ou le fabricant des armoires pour déterminer si les matériaux utilisés peuvent subir un changement de couleur, une déstratification ou d'autres dommages. Ce four a été conçu conformément aux exigences des normes UL et CSA International et respecte les températures maximales permises de 194 °F (90 °C) pour les armoires en bois.

**Combinaisons four encastré/table de cuisson électrique (produits homologués)**



- A. Profondeur d'armoire de 24 po (61 cm)
- B. Profondeur du plan de travail 25 po (63,5 cm)
- C. Emplacements recommandés pour le boîtier de connexion du four et de la table de cuisson
- D. Prévoir 5/8 po (1,6 cm) pour le chevauchement de la garniture du four, de chaque côté.
- E. 27 3/4 po (70,5 cm) de hauteur minimum de l'ouverture
- F. 36 po (91,4 cm) entre la base de l'armoire et le plan de travail
- G. 4 5/8 po (11,7 cm) maximum de la base de l'armoire
- H. Voir le tableau Dimensions de l'ouverture à découper.
- I. 31 3/8 po (79,7 cm) entre le sommet du plan de travail et le fond de la cavité d'encastrement

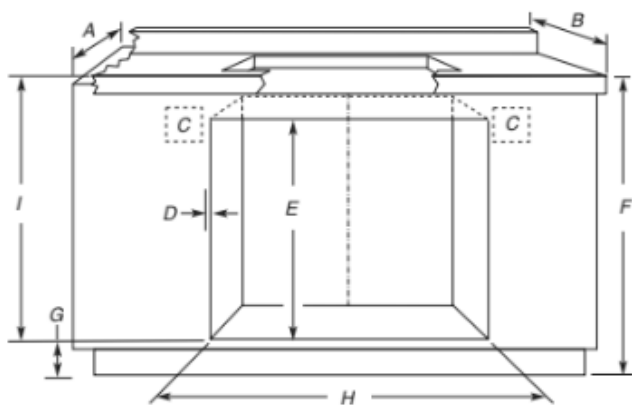
**OUVERTURES À DÉCOUPER (H)**

Taille du four	Ouverture à découper pour le four
24 po (61 cm)	22 1/2 po (57,2 cm)
27 po (68,6 cm)	25 1/2 po (64,8 cm)
30 po (76,2 cm)	28 1/2 po (72,4 cm)
36 po (91,4 cm)	34 1/2 po (87,6 cm)

**Pour connaître les combinaisons approuvées par numéro de modèle, consulter l'étiquette sous comptoir située sur la partie supérieure du châssis du four et au fond de la boîte de brûleur de la table de cuisson.**

**REMARQUE :** Pour l'installation sous un plan de travail, on recommande que les boîtiers de connexion pour four et table de cuisson soient situés dans l'armoire adjacente, à droite ou à gauche. Un trou de diamètre 1 po (2,5 cm) ou plus doit avoir été percé dans la partie supérieure de l'angle arrière gauche ou droit de la surface de la paroi latérale pour le passage du câble d'alimentation de l'appareil jusqu'au boîtier de connexion.

### Combinaisons four encastré/table de cuisson à induction (produits homologués)



- A. Profondeur d'armoire de 24 po (61 cm)
- B. Profondeur du plan de travail 25 po (63,5 cm)
- C. Emplacements recommandés pour le boîtier de connexion du four et de la table de cuisson
- D. Prévoir 5/8 po (1,6 cm) pour le chevauchement de la garniture du four, de chaque côté.
- E. 27<sup>3</sup>/<sub>4</sub> po (70,5 cm) de hauteur minimum de l'ouverture
- F. 36 po (91,4 cm) entre la base de l'armoire et le plan de travail
- G. 4<sup>5</sup>/<sub>8</sub> po (11,7 cm) maximum à partir de la base de l'armoire. Si la dimension « F » est supérieure à 36 po (91,4 cm), la dimension « G » peut être augmentée de la même différence pour des combinaisons d'appareils à induction.
- H. Voir le tableau Dimensions de l'ouverture à découper.
- I. 31<sup>3</sup>/<sub>8</sub> po (82,2 cm) entre le sommet du plan de travail et le fond de la cavité d'encastrement

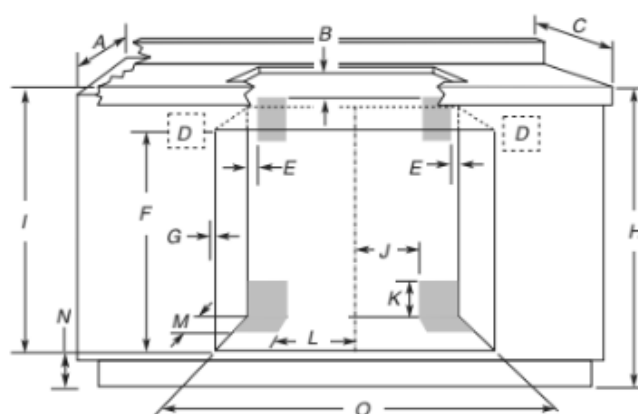
#### OUVERTURES À DÉCOUPER (H)

Taille du four	Minimum de l'ouverture à découper pour le four
24 po (61 cm)	22 <sup>1</sup> / <sub>2</sub> po (57,2 cm)
27 po (68,6 cm)	25 <sup>1</sup> / <sub>2</sub> po (64,8 cm)
30 po (76,2 cm)	28 <sup>1</sup> / <sub>2</sub> po (72,4 cm)

Pour connaître les combinaisons approuvées par numéro de modèle, consulter l'étiquette sous comptoir située sur la partie supérieure du châssis du four et au fond de la boîte de brûleur de la table de cuisson.

**REMARQUE :** Pour l'installation sous un plan de travail, on recommande que les boîtiers de connexion pour four et table de cuisson soient situés dans l'armoire adjacente, à droite ou à gauche. Un trou de diamètre 1 po (2,5 cm) ou plus doit avoir été percé dans la partie supérieure de l'angle arrière gauche ou droit de la surface de la paroi latérale pour le passage du câble d'alimentation de l'appareil jusqu'au boîtier de connexion.

### Combinaisons four encastré/table de cuisson au gaz (produits homologués)



- A. Profondeur d'armoire de 24 po (61 cm)
- B. Dégagement de 1 po (2,5 cm) jusqu'au bas du plan de travail
- C. Profondeur du plan de travail 25 po (63,5 cm)
- D. Emplacements recommandés pour le boîtier de connexion du four et de la table de cuisson.
- E. Dégagement de 1 po (2,5 cm) jusqu'à l'armoire
- F. 27<sup>3</sup>/<sub>4</sub> po (70,5 cm) de hauteur minimum de l'ouverture
- G. Prévoir 5/8 po (1,6 cm) pour le chevauchement de la garniture du four, de chaque côté.
- H. 36 po (91,4 cm) entre la base de l'armoire et le plan de travail
- I. 31<sup>3</sup>/<sub>8</sub> po (79,7 cm) entre le sommet du plan de travail et le fond de la cavité d'encastrement
- J. Conduite de gaz dans le mur à 10<sup>1</sup>/<sub>2</sub> po (26,7 cm) au centre de la découpe
- K. 3<sup>1</sup>/<sub>4</sub> po (8,3 cm)
- L. Conduite de gaz dans le plancher de 10<sup>1</sup>/<sub>2</sub> po (26,7 cm) au centre de la découpe
- M. 3<sup>1</sup>/<sub>2</sub> po (8,9 cm)
- N. 4<sup>5</sup>/<sub>8</sub> po (11,7 cm) maximum de la base de l'armoire
- O. Voir le tableau Dimensions de l'ouverture à découper.

#### OUVERTURES À DÉCOUPER (O)

Taille du four	Minimum de l'ouverture à découper pour le four
24 po (61 cm)	22 <sup>1</sup> / <sub>2</sub> po (57,2 cm)
27 po (68,6 cm)	25 <sup>1</sup> / <sub>2</sub> po (64,8 cm)
30 po (76,2 cm)	28 <sup>1</sup> / <sub>2</sub> po (72,4 cm)
36 po (91,4 cm)	34 <sup>1</sup> / <sub>2</sub> po (87,6 cm)

Pour connaître les combinaisons des produits homologués par numéro de modèle, consulter l'étiquette sous comptoir située sur la partie supérieure du châssis du four.

**REMARQUE :** Pour l'installation sous un plan de travail, on recommande que le boîtier de connexion pour four soit situé dans l'armoire adjacente, à droite ou à gauche. Un trou de diamètre 1 po (2,5 cm) ou plus doit avoir été percé dans la partie supérieure de l'angle arrière gauche ou droit de la surface de la paroi latérale pour le passage du câble d'alimentation de l'appareil jusqu'au boîtier de connexion.

On recommande d'utiliser les zones grisées supérieures pour la prise de 120 V reliée à la terre du boîtier de connexion encastré de la table de cuisson.



On recommande l'installation de la canalisation de gaz flexible ou rigide dans la zone ombrée inférieure. Le point de raccordement au gaz de la table de cuisson se trouve sur la droite (même emplacement que le point « J » dans le schéma ci-dessus). La canalisation de gaz peut être installée d'un côté ou de l'autre de l'ouverture découpée, à travers le plancher ou à travers le mur. Consulter les codes locaux concernant l'utilisation des canalisations de gaz.

## Spécifications électriques

Si on utilise un conducteur distinct de liaison à la terre et lorsque les codes le permettent, il est recommandé qu'un électricien qualifié vérifie que la liaison à la terre et le calibre des fils sont conformes aux codes locaux.

En cas de doute quant à la qualité de la liaison à la terre du four, consulter un électricien qualifié.

Ce four doit être raccordé à un système permanent, métallique de câblage relié à la terre.

S'assurer que la connexion électrique et le calibre des fils sont appropriés et conformes au National Electrical Code, aux normes ANSI/NFPA 70 – dernière édition, ou aux normes CSA C22.1-94, au Code canadien de l'électricité, Partie 1 et C22.2 N° O-M91 – dernière édition, et à tous les codes et règlements locaux.

Pour obtenir un exemplaire des normes des codes ci-dessus, contacter :

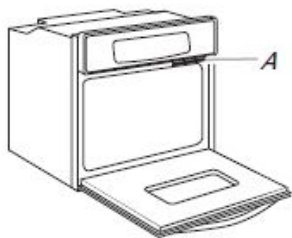
National Fire Protection Association  
1 Batterymarch Park  
Quincy, MA 02169-7471

CSA International  
8501 East Pleasant Valley Road  
Cleveland, OH 44131-5575

## Raccordement électrique

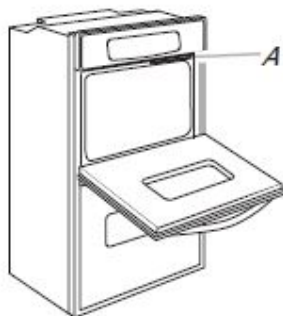
Pour installer le four de façon appropriée, il faut établir le type de raccords électriques que l'on utilisera et suivre les instructions de ce document.

- Le four doit être alimenté par une source d'électricité appropriée (caractéristiques de tension et fréquence spécifiées sur la plaque signalétique). La plaque signalétique du numéro de modèle et de série est située sous le panneau de configuration sur les fours simples et sous le panneau de configuration sur la cavité supérieure du four sur les fours doubles. Voir les illustrations suivantes.



**Fours simples**

A. Plaque signalétique du numéro de modèle et de série



**Fours doubles**

A. Plaque signalétique du numéro de modèle et de série

- Les modèles à 240 V de 7,3 à 9,6 kW (208 V de 5,4 à 7,4 kW) doivent être alimentés par un circuit indépendant de 40 A. Un modèle à 240 V de 4,8 kW ou moins (208 V de 3,6 kW ou moins) doit être alimenté par un circuit indépendant de 20 A.
- L'emploi d'un disjoncteur est recommandé.

- Raccorder l'appareil directement au tableau de distribution par un câble à conducteur de cuivre et gaine métallique flexible ou gaine non métallique (avec conducteur de liaison à la terre). Voir la section « Raccordement électrique ».
- Le câble flexible du four doit être connecté directement dans le boîtier de connexion.
- Installer un fusible aux deux extrémités de la ligne.
- Ne pas couper le conduit. La longueur du conduit fourni est destinée à faciliter l'entretien/le dépannage éventuel du four.
- L'installateur doit fournir un connecteur de conduit (homologation UL ou CSA).
- Si le domicile possède un câblage en aluminium, suivre la procédure ci-dessous :

Connecter le câblage en aluminium en utilisant des capuchons ou des outils spécialement conçus et homologués UL pour raccorder le cuivre à l'aluminium.

Suivre la procédure recommandée par le fabricant de connecteurs électriques. Les raccords aluminium/cuivre doivent satisfaire aux prescriptions des codes locaux et de l'industrie, et être conformes aux pratiques de câblage reconnues.

## INSTALLATIONS

### Préparer le four encastré

- Choisir l'emplacement final pour l'installation du four. Éviter de percer ou de sectionner le câblage du domicile pendant l'installation.

## **⚠ AVERTISSEMENT**

### Risque de poids excessif

**Utiliser deux personnes ou plus pour déplacer et installer l'appareil.**

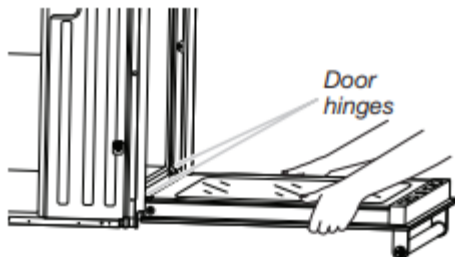
**Le non-respect de cette instruction peut causer une blessure au dos ou d'autres blessures.**

- Pour éviter d'endommager le plancher, placer le four sur une feuille de carton avant l'installation. Pour soulever l'appareil, ne pas prendre prise sur la poignée ou sur une autre partie de l'avant du châssis.
- Enlever les matériaux d'emballage et les rubans adhésifs du four. S'assurer de bien conserver les cornières de protection et autres matériaux pouvant être requis pour l'installation.
- Enlever le matériel à l'intérieur du sachet de documentation.
- Retirer et mettre de côté les grilles, accessoires et autres pièces qui se trouvent à l'intérieur du four.
- Approcher le four et la feuille de carton de l'emplacement final du four.

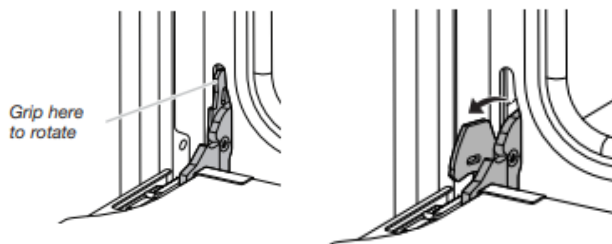
## Enlever la/les porte(s) du four

**IMPORTANT :** Retirer la porte du four avec les 2 mains. Pour les fours doubles, répéter le procédé pour chaque porte.

1. Avant de retirer la porte du four, préparer une surface sur laquelle la poser. Cette surface doit être plate et recouverte d'une couverture douce. On peut aussi utiliser les cornières de l'emballage.
2. Ouvrir complètement la porte du four.



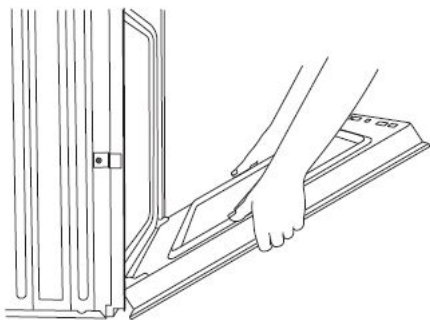
3. Trouver les loquets de charnière de la porte du four dans les deux angles de la porte; faire pivoter les loquets de charnière vers la porte du four jusqu'à la position de déverrouillage. Si le loquet de charnière de porte n'est pas complètement tourné (voir l'illustration B), la porte ne se retirera pas correctement.



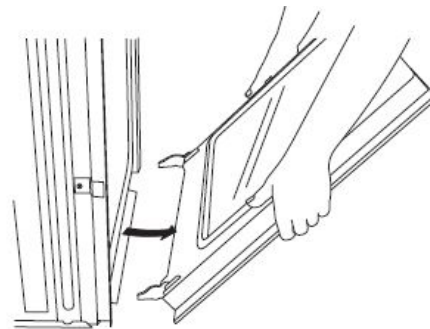
A. Loquet de charnière de la porte du four en position de verrouillage

B. Loquet de charnière de la porte du four en position de déverrouillage

4. Commencer à fermer doucement la porte. La porte s'arrêtera en position partiellement fermée.



5. Saisir les bords de la porte du four avec les 2 mains. Fermer la porte du four légèrement dépassé la position d'arrêt pour réduire la charge supportée par les loquets, puis tirer la porte de four vers le haut.



6. Tirer la porte du four vers soi et enlever la porte. Si nécessaire, basculer doucement la porte d'un côté et de l'autre en la tirant.
7. Garder la porte du four à part sur la surface de travail couverte en la faisant reposer sur sa poignée.
8. Pour continuer l'installation du four, aller à la section « Positionnement des pieds du four pour des ouvertures d'encastrement dans l'armoire ».

## Positionner les pieds du four pour des ouvertures de découpe dans l'armoire

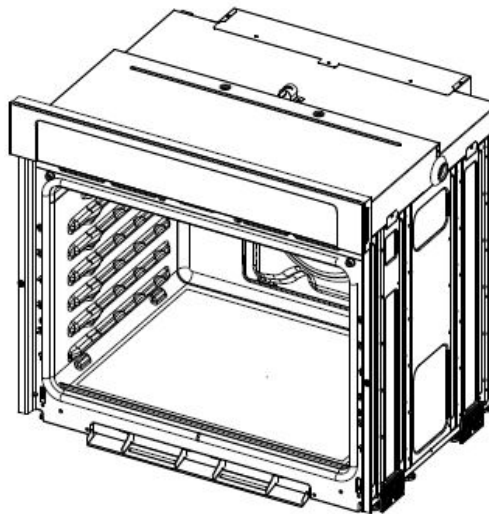
### Fours simples

En modifiant le positionnement des pieds du four, on peut installer un four simple dans une découpe d'une hauteur comprise entre 26 <sup>15</sup>/<sub>16</sub> po et 29 <sup>7</sup>/<sub>16</sub> po (68,4 cm et 74,8 cm). Consulter les instructions suivantes pour adapter la position des pieds à la taille de la découpe.

**La hauteur de la découpe peut être comprise entre 27 <sup>5</sup>/<sub>8</sub> po et 28 <sup>5</sup>/<sub>8</sub> po (70,2 cm et 72,7 cm)**

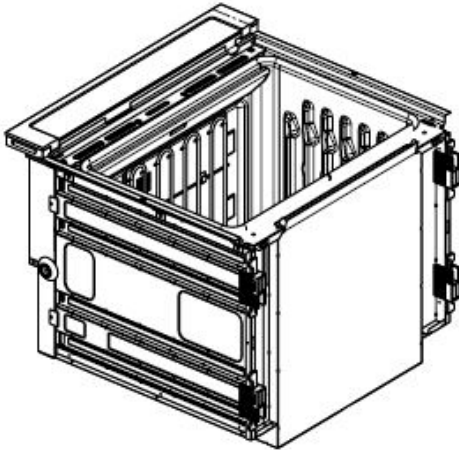
Les pieds du four n'ont pas besoin d'être remplacés. Ils sont correctement positionnés à leur sortie d'usine.

Voir la section « Raccordement électrique ».



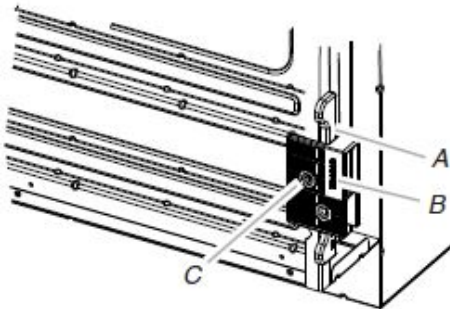
La hauteur de la découpe peut être comprise entre 26 <sup>15</sup>/<sub>16</sub> po et 27 <sup>11</sup>/<sub>16</sub> po (68,4 cm et 70,3 cm)

1. À l'aide d'au moins 2 personnes, placer le four sur sa partie arrière, sur une surface couverte.



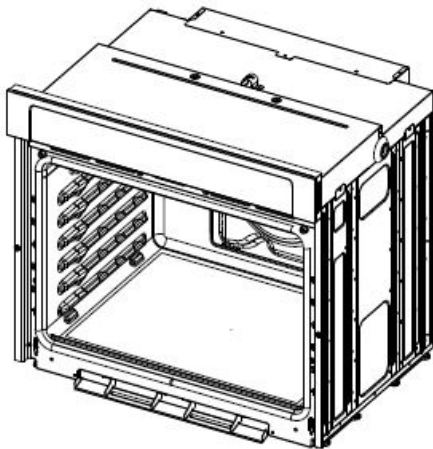
2. Retirer le pied de la cale d'espacement avant droite en ôtant la vis no 8-18 x 3/8 po (9,5 mm).

**REMARQUE :** Ne pas retirer la cale d'espacement.



- A. Cale
- B. Pied
- C. Vis no 8-18 x 3/8 po (9,5 mm)

3. Enlever les pieds installés du côté avant gauche, arrière droit et arrière gauche du four en suivant la même méthode.
4. À l'aide d'au moins 2 personnes, placer le four en position verticale.

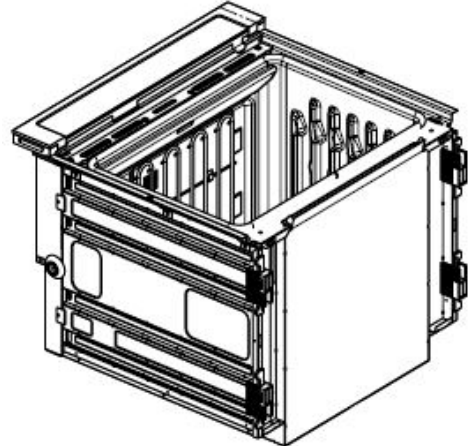


5. Voir la section « Raccordement électrique ».

La hauteur de la découpe doit être comprise entre 28 <sup>11</sup>/<sub>16</sub> po et 29 <sup>7</sup>/<sub>16</sub> po (72,8 cm et 74,8 cm)

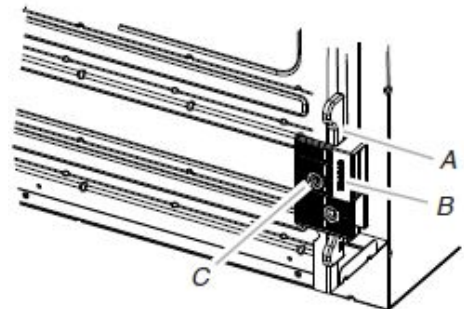
**REMARQUE :** Un grand protecteur d'évent inférieur peut être commandé pour remplacer le protecteur accompagnant l'appareil pour améliorer l'apparence du bas. Le four fonctionnera correctement avec l'un ou l'autre des écrans. Consulter le guide de démarrage rapide pour obtenir le numéro de service sans frais pour effectuer une demande.

1. À l'aide d'au moins 2 personnes, placer le four sur sa partie arrière, sur une surface couverte.



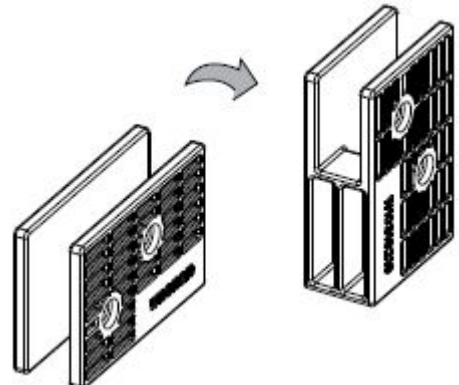
2. Retirer le pied de la cale d'espacement avant droite en ôtant la vis no 8-18 x 3/8 po (9,5 mm).

**REMARQUE :** Ne pas retirer la cale d'espacement.

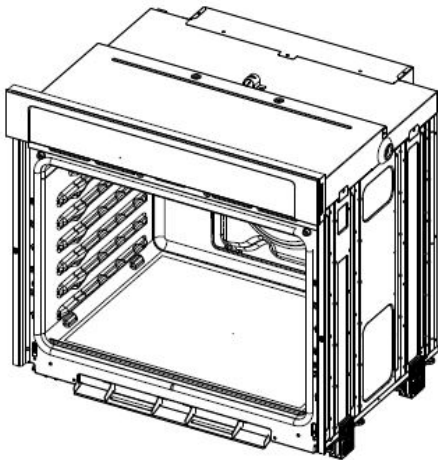


- A. Cale
- B. Pied
- C. Vis no 8-18 x 3/8 po (9,5 mm)

3. Faire pivoter le pied à 90° de façon à ce que le côté court du pied soit orienté vers le sommet du four.



4. Réinstaller le pied de la cale d'espacement à l'aide de la vis de droite en utilisant la vis no 8-18 x 3/8 po (9,5 mm) précédemment retirée.
5. Enlever, faire pivoter et réinstaller les pieds installés du côté avant gauche, arrière droit et arrière gauche du four en suivant la même méthode.
6. À l'aide d'au moins 2 personnes, placer le four en position verticale.



7. Voir la section « Raccordement électrique ».

### Fours doubles

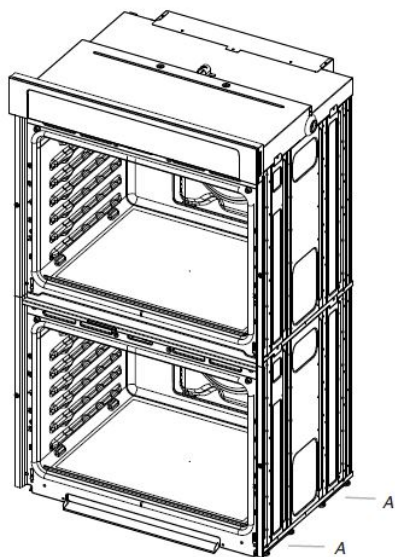
En modifiant le positionnement des pieds du four, on peut installer un four double dans une découpe d'une hauteur comprise entre 48 7/8 po et 52 3/16 po (124,1 cm et 132,6 cm). Consulter les instructions suivantes pour adapter la position des pieds à la taille de la découpe.

**La hauteur de la découpe peut être comprise entre 48 7/8 po et 50 7/16 po (124,1 cm et 128,1 cm)**

Il n'est pas nécessaire d'installer les pieds du four. Le four a été correctement configuré à sa sortie d'usine.

**REMARQUE :** Ne pas retirer les cales d'espacement.

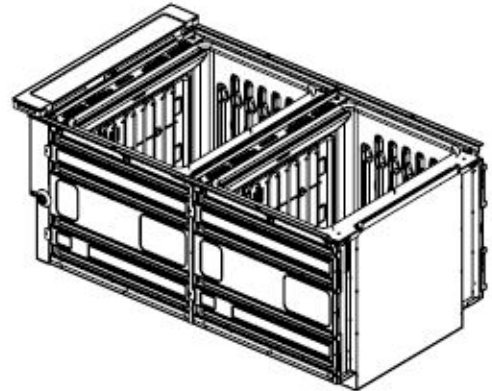
Voir la section « Raccordement électrique ».



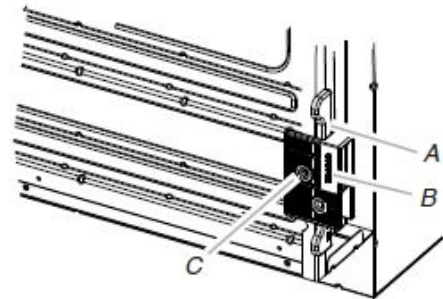
Cales d'espacement

**Pour une installation en affleurement, la hauteur de la découpe doit être entre 50 1/2 po et 51 1/8 po (128,2 cm et 129,9 cm)**

1. À l'aide d'au moins 2 personnes, placer le four sur sa partie arrière, sur une surface couverte.



2. Installer un pied arrière sur la cale d'espacement arrière gauche avec une vis no 8-18 x 3/8 po (9,5 mm).  
**REMARQUE :** Positionner le pied de façon à ce que le côté long du pied soit orienté vers le sommet du four.

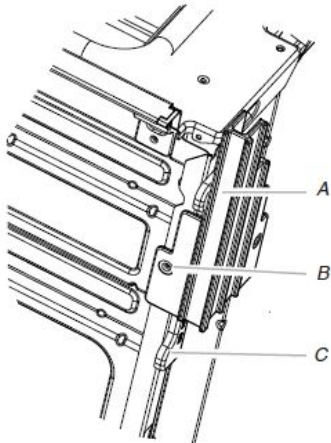


- A. Cale
- B. Pied arrière
- C. Vis no 8-18 x 3/8 po (9,5 mm)

3. De la même manière, installer un pied arrière sur le coin arrière droit du four.

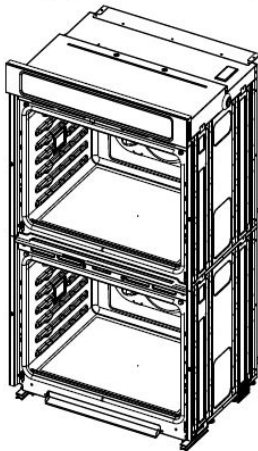
4. Installer un pied avant sur la cale d'espacement avant gauche avec une vis no 8-18 x 3/8 po (9,5 mm).

**REMARQUE :** Positionner le pied de façon à ce que le côté long du pied soit orienté vers l'intérieur du four.



- A. Pied avant  
B. Vis no 8-18 x 3/8 po (9,5 mm)  
C. Cale

5. De la même manière, installer un pied avant sur le coin avant droit du four.  
6. À l'aide d'au moins 2 personnes, placer le four en position verticale.

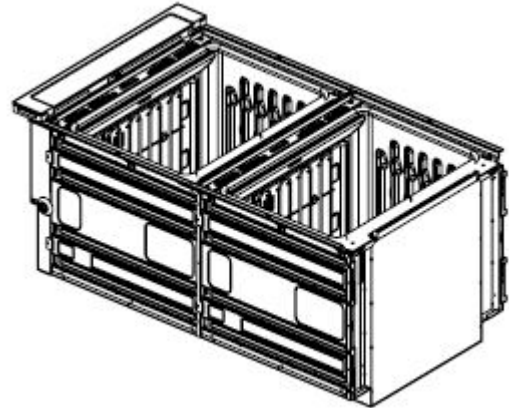


7. Voir la section « Raccordement électrique ».

**La hauteur de la découpe doit être comprise entre 51 <sup>3</sup>/<sub>16</sub> po et 52 <sup>3</sup>/<sub>16</sub> po (130,0 cm et 132,6 cm)**

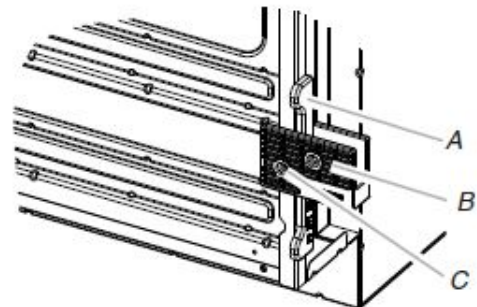
**REMARQUE :** Un grand protecteur de l'évent inférieur peut être commandé pour remplacer le protecteur accompagnant l'appareil pour améliorer l'apparence du bas. Le four fonctionnera correctement avec l'un ou l'autre des écrans. Consulter le guide de démarrage rapide pour obtenir le numéro de service sans frais pour effectuer une demande.

1. À l'aide d'au moins 2 personnes, placer le four sur sa partie arrière, sur une surface couverte.



2. Installer un pied arrière sur la cale d'espacement arrière gauche avec une vis no 8-18 x 3/8 po (9,5 mm).

**REMARQUE :** Positionner le pied arrière de façon à ce que le côté court du pied soit orienté vers le sommet du four.

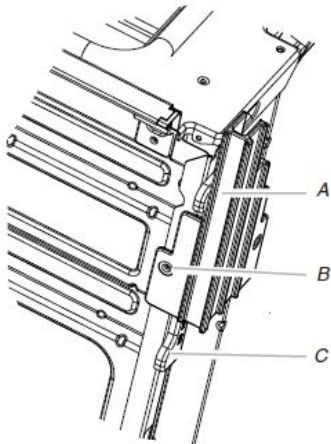


- A. Cale  
B. Pied arrière  
C. Vis no 8-18 x 3/8 po (9,5 mm)

3. De la même manière, installer un pied arrière sur le coin arrière droit du four.

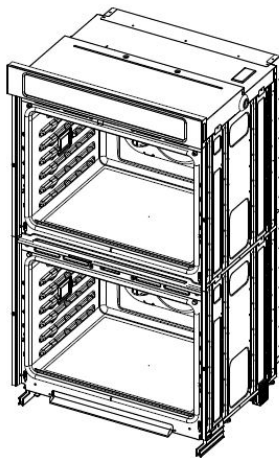
4. Installer un pied avant à l'avant à gauche avec une vis no 8-18 x 3/8 po (9,5 mm).

**REMARQUE :** Positionner le pied de façon à ce que le côté court du pied soit orienté vers le sommet du four.



- A. Pied avant  
B. Vis no 8-18 x 3/8 po (9,5 mm)  
C. Cale

5. De la même manière, installer un pied avant sur le coin avant droit du four.  
6. À l'aide d'au moins 2 personnes, placer le four en position verticale.



7. Voir la section « Raccordement électrique ».

## Raccordement électrique

### Fours simples

#### ⚠ AVERTISSEMENT



#### Risque de décharge électrique

Déconnecter la source de courant électrique avant l'entretien.

Utiliser du fil de cuivre de calibre 12.

Relier le four à la terre.

Le non-respect de ces instructions peut causer un décès, un incendie ou une décharge électrique.

### Fours doubles

#### ⚠ AVERTISSEMENT



#### Risque de décharge électrique

Déconnecter la source de courant électrique avant l'entretien.

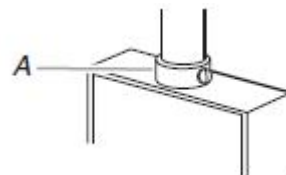
Utiliser du fil de cuivre de calibre 8.

Relier le four à la terre.

Le non-respect de ces instructions peut causer un décès, un incendie ou une décharge électrique.

Le câblage d'alimentation de ce four comporte un conducteur neutre (blanc) et un conducteur vert (ou nu) de liaison à la terre connecté à la caisse; ces deux conducteurs sont torsadés.

1. Débrancher l'alimentation.
2. Placer le conduit de câble flexible depuis le four jusqu'à l'espace d'installation dans l'armoire.
3. Le cas échéant, enlever le couvercle du boîtier de connexion.
4. Installer un connecteur de conduit (homologation UL ou CSA) sur le boîtier de connexion.

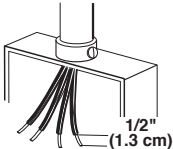
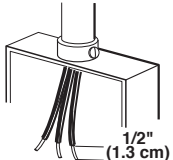


A. Connecteur de conduit (homologation UL ou CSA)

5. Acheminer le conduit de câble flexible depuis le four jusqu'au boîtier de connexion – utiliser un connecteur de conduit (homologation UL ou CSA).
6. Serrer les vis sur le connecteur de conduit.

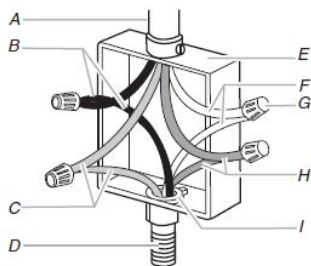
7. Voir le « Tableau des options de raccordement électrique » pour terminer l'installation correspondant à votre type de raccordement électrique.

### Tableau des options de raccordement électrique

Si le domicile comporte :	Voir la section :
4 conducteurs 	Câble à 4 conducteurs depuis l'alimentation électrique du domicile
3 conducteurs 	Câble à 3 conducteurs depuis l'alimentation électrique du domicile

### Câble à 4 conducteurs depuis l'alimentation électrique du domicile

**IMPORTANT :** utiliser le câble à 4 conducteurs provenant de l'alimentation électrique du domicile aux États-Unis lorsque les codes ne permettent pas la mise à la terre par l'intermédiaire du conducteur neutre, en cas de nouvelle installation avec alimentation par un circuit secondaire (1996 NEC), dans les résidences mobiles et les véhicules récréatifs, dans une nouvelle construction et au Canada.

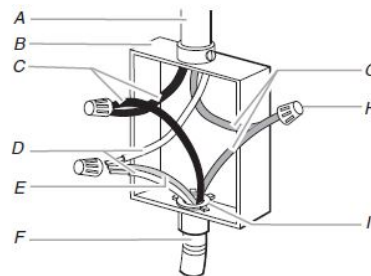


- |  |   |
|--|---|
| A. Câble depuis le point de distribution du domicile | F. Conducteur blanc                                 |
| B. Conducteur noir                                   | G. Connecteurs de fils (homologation UL)            |
| C. Conducteurs rouges                                | H. Connecteurs verts (ou nus) de liaison à la terre |
| D. Câble flexible à 4 conducteurs depuis le four     | I. Connecteur de conduit (homologation UL ou CSA)   |
| E. Boîtier de connexion                              |   |

1. Connecter ensemble les 2 conducteurs noirs (B) avec un capuchon de connexion (homologation UL).
2. Connecter ensemble les 2 connecteurs rouges (C) avec un capuchon de connexion (homologation UL).
3. Détorsader le conducteur blanc du conducteur vert (ou nu) de liaison à la terre provenant du four.
4. Connecter ensemble les 2 connecteurs blancs (F) avec un capuchon de connexion (homologation UL).
5. Connecter le conducteur vert (ou nu) de liaison à la terre (H) du câble du four au conducteur vert (ou nu) de liaison à la terre dans le boîtier de connexion – utiliser un capuchon de connexion (homologation UL).
6. Installer le couvercle du boîtier de connexion.

### Câble à 3 conducteurs depuis l'alimentation électrique du domicile – É.-U. seulement

**IMPORTANT :** Utiliser le câble à 3 conducteurs depuis l'alimentation électrique du domicile lorsque les codes locaux autorisent un tel raccordement.



- |   |   |
|---|---|
| A. Câble depuis le point de distribution du domicile              | F. Câble flexible à 4 conducteurs depuis le four  |
| B. Boîtier de connexion   | G. Conducteurs rouges                             |
| C. Conducteur noir  | H. Connecteurs de fils (homologation UL)          |
| D. Conducteur blanc   | I. Connecteur de conduit (homologation UL ou CSA) |
| E. Conducteur vert (ou nu) de liaison à la terre (depuis le four) |   |

1. Connecter ensemble les 2 conducteurs noirs (C) avec un capuchon de connexion (homologation UL).
2. Connecter les 2 conducteurs blancs (D) et le conducteur vert (ou nu) de liaison à la terre (du câble du four) avec un capuchon de connexion (homologation UL).
3. Connecter ensemble les 2 connecteurs rouges (G) avec un capuchon de connexion (homologation UL).
4. Installer le couvercle du boîtier de connexion.

## Installation du four

1. À l'aide d'au moins 2 personnes, soulever le four et l'introduire partiellement dans l'ouverture d'encastrement de l'armoire. Utiliser l'ouverture du four comme zone de prise.

**REMARQUE :** Pour introduire le four dans l'armoire, pousser contre la zone du joint du four située sur le châssis avant. Ne pas pousser contre les bords externes.

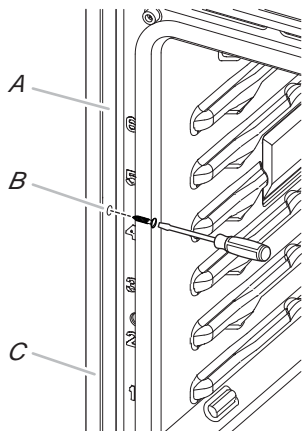


2. Pousser contre la zone du joint du châssis avant pour introduire le four dans l'armoire, jusqu'à ce que la surface arrière du châssis avant soit au contact de la paroi avant de l'armoire.



3. Pousser complètement le four dans l'armoire et le centrer dans la découpe de l'armoire.
4. Fixer solidement le four à l'armoire à l'aide des vis no 8-14 x 3/4 po (1,9 cm) fournies.

Insérer les vis dans les trous de la garniture noire en les alignant avec les trous du châssis du four. Ne pas serrer excessivement les vis.

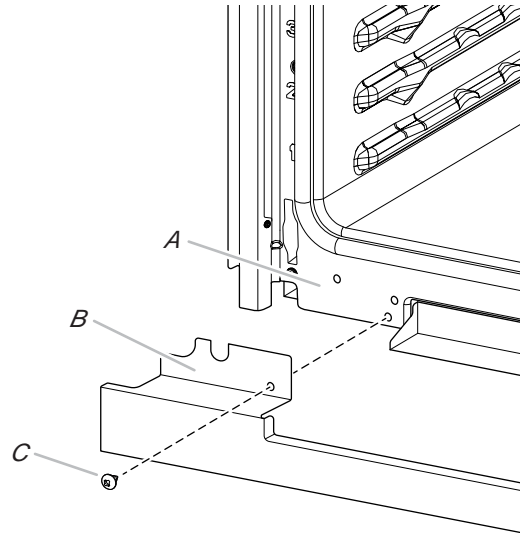


A. Châssis du four  
B. Trou de la garniture latérale  
C. Pièce de la garniture latérale

5. La garniture de l'évent inférieur et le protecteur de l'évent inférieur sont expédiés dans l'emballage en mousse du dessus du four.

Le grand protecteur d'évent inférieur est utilisé lorsque le four est installé avec les pieds dans la position haute. Veuillez communiquer avec le service pour obtenir des pieds qui vous seront livrés gratuitement.

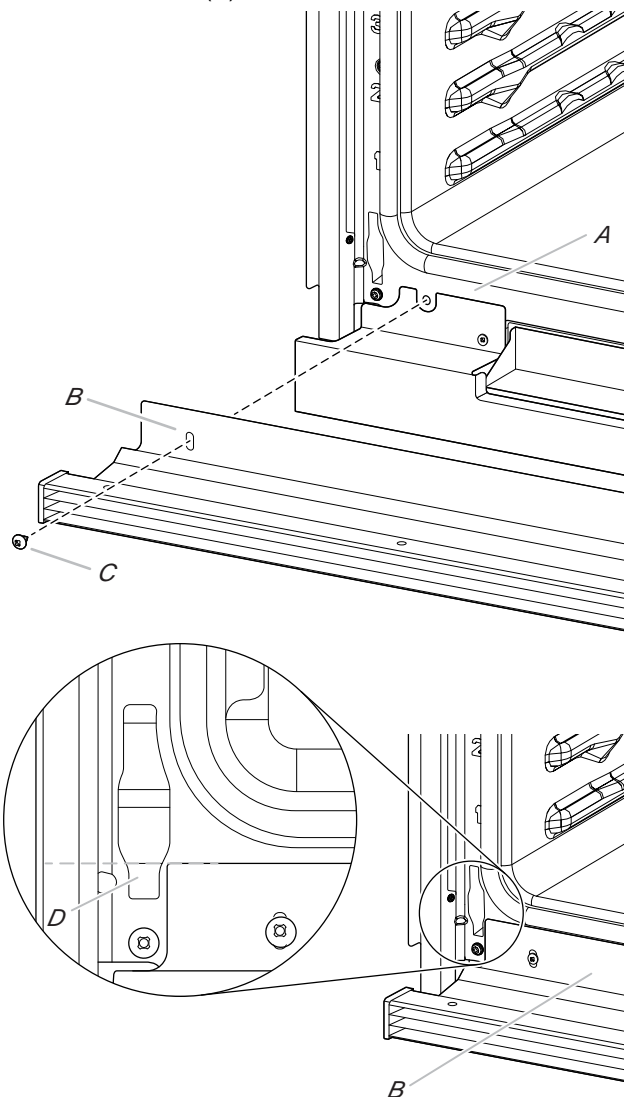
- Aligner la languette de l'évent (B) avec le châssis du four (A) comme illustré.
- Avec une vis no 8-18 x 3/8 po (9,5 mm) (C) pour chaque côté du support du protecteur (B), fixer solidement l'évent au châssis du four (A).



A. Châssis du four  
B. Onglet du protecteur  
C. Vis no 8-18 x 3/8 po (9,5 mm)



6. Une fois le protecteur de l'évent inférieur installé.
- Aligner la languette de la garniture de l'évent inférieur (B) avec le châssis du four (A) comme illustré.
  - Avec une vis no 8-18 x 3/8 po (9,5 mm) (C) pour chaque côté du support de la garniture (B), aligner l'onglet de la garniture du haut et du bas (B) au récepteur de la charnière (D) comme illustré.
  - Serrer la garniture de l'évent inférieur de façon sécuritaire au châssis du four (A).



- |                           |                                  |
|---------------------------|----------------------------------|
| A. Châssis du four        | C. Vis no 8-18 x 3/8 po (9,5 mm) |
| B. Onglet de la garniture | D. Récepteur de la charnière     |

7. Réinstaller les grilles du four.
8. Réinstaller la porte du four. Voir la section « Réinstaller la ou les portes du four ».
9. Vérifier que la porte s'ouvre et se ferme facilement. Si ce n'est pas le cas, répéter la procédure pour enlever et reposer la porte. Voir la section « Préparer le four encastré ».
10. Répéter cette procédure pour la porte du four inférieur.

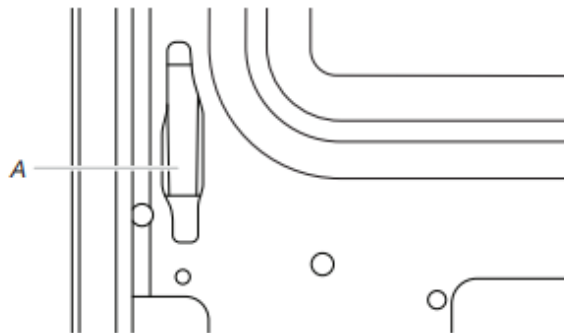
**IMPORTANT :** Pour que le four fonctionne correctement, vérifier que l'espace entre le bas de la porte et la garniture de l'évent inférieur est d'au moins 1/4 po (6,4 mm).

11. Rebrancher l'alimentation.
12. Le tableau d'affichage s'allume et se met en marche.

13. Si le tableau d'affichage ne s'allume pas, se reporter à la section « Garantie ».

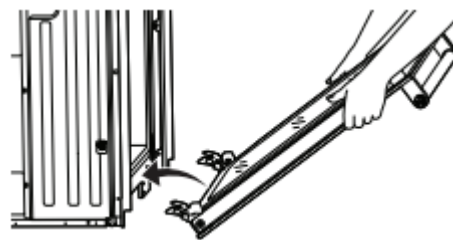
## Réinstallation de la/des porte(s) du four

1. Saisir les bords latéraux de la porte par le milieu avec les deux mains. Se placer face à la cavité du four.
2. Repérer les encoches situées de chaque côté de la cavité du four pour les loquets de charnière de la porte.

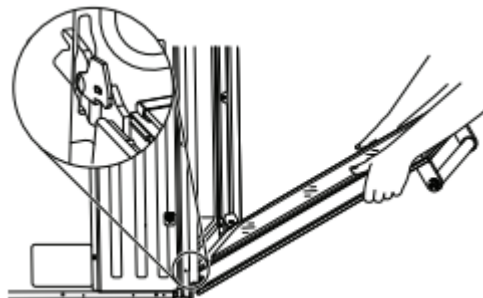


A. Encoche située dans la cavité du four pour le loquet de charnière de la porte

3. Saisir les bords de la porte du four avec les 2 mains. Avec un angle de 45°, insérer les charnières en même temps et pousser la porte du four dans les fentes de la cavité du four pour la réinstaller. Si nécessaire, basculer doucement la porte d'un côté et de l'autre en la poussant.



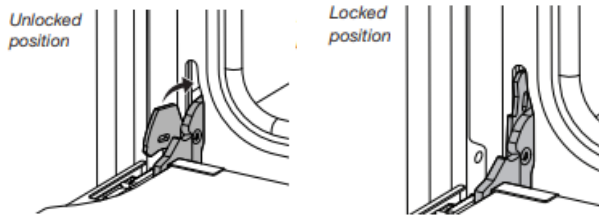
4. S'assurer que les encoches de charnière de la porte sont engagées au fond des fentes de la cavité du four.



**IMPORTANT :** Ne pas fermer la porte à cette étape pour ne pas endommager la charnière de la porte.

5. Abaisser la porte du four jusqu'à ce qu'elle soit complètement ouverte. Si la porte du four ne s'ouvre pas complètement à un angle de 90°, répéter les étapes 1 à 3.

6. Identifier les loquets de charnière de la porte du four dans les angles de la porte; faire pivoter les loquets de charnière vers la cavité du four jusqu'à la position de verrouillage.



7. Après que les charnières de la porte ont été verrouillées, fermer doucement la porte. La fermeture de la porte ne doit pas être forcée.
8. Une fois les charnières correctement installées et la porte fermée, l'espace entre la porte et le tableau de commande doit être égal. Si l'un des côtés de la porte du four est plus bas que l'autre, la charnière de ce côté-ci n'est pas correctement installée.

## Achever l'installation

1. Vérifier que toutes les pièces sont maintenant installées. S'il reste une pièce, passer en revue les différentes étapes pour découvrir laquelle aurait été oubliée.
2. Vérifier la présence de tous les outils.
3. Éliminer/recycler tous les matériaux d'emballage.
4. Pour le nettoyage du four, lire la section « Entretien et réparation du four à micro-ondes ».

### Vérifier le fonctionnement d'un four simple et double

1. Mettre l'appareil sous tension.
2. Avant la première utilisation, choisir la langue, régler l'horloge et toute autre préférence réglable, le cas échéant. Consulter le « Guide de commande » en ligne pour plus de renseignements.
3. Lancer un programme de cuisson au gril.

**REMARQUE :** Au cours des premières utilisations du four, il est normal qu'il dégage des odeurs et de la fumée.

4. Attendre 5 minutes, puis vérifier la chaleur.

#### Si le four ne fonctionne pas, vérifier ce qui suit :

- Le fusible domestique est intact et bien visé ou le disjoncteur n'est pas ouvert.
  - La prise de courant est correctement alimentée.
  - Consulter la section « Dépannage » en ligne.
5. Placer la grille coulissante™ SatinGlide pour four intelligent, ainsi que les accessoires dans la position de grille du bas pour s'assurer que la bonne grille accessoire se trouve au fond.
  6. Pour les fours doubles, appuyer sur UPPER CANCEL/LOWER CANCEL (annulation four supérieur/annulation four inférieur). Pour les fours simples, appuyer sur CANCEL (annulation).

#### Pour obtenir de l'assistance ou une visite de service :

Consulter le Guide de démarrage rapide pour obtenir les coordonnées.

# SEGURIDAD DEL HORNO INTEGRADO

## Su seguridad y la de los demás son muy importantes.

Hemos incluido muchos mensajes importantes de seguridad en este manual y en su electrodoméstico. Lea y obedezca siempre todos los mensajes de seguridad.



Este es el símbolo de advertencia de seguridad.

Este símbolo le llama la atención sobre peligros potenciales que pueden ocasionar la muerte o una lesión a usted y a los demás.

Todos los mensajes de seguridad irán a continuación del símbolo de advertencia de seguridad y de la palabra "PELIGRO" o "ADVERTENCIA". Estas palabras significan:

**▲ PELIGRO**

**Usted puede morir o sufrir una lesión grave si no sigue de inmediato las instrucciones.**

**▲ ADVERTENCIA**

**Si no sigue las instrucciones, puede morir o sufrir una lesión grave.**

Todos los mensajes de seguridad le dirán cuál es el peligro potencial, cómo reducir las posibilidades de sufrir una lesión y lo que puede suceder si no se siguen las instrucciones.

## INSTRUCCIONES IMPORTANTES DE SEGURIDAD

**ADVERTENCIA:** Para reducir el riesgo de incendio, choque eléctrico o lesiones personales al usar el electrodoméstico, siga precauciones básicas, entre ellas las siguientes:

- **Instalación correcta:** el electrodoméstico, cuando se instale, deberá conectarse a tierra de acuerdo con los códigos locales, o en la ausencia de códigos locales, con el *Código Nacional Eléctrico, ANSI/NFPA 70* o el *Código Canadiense de Electricidad, CSA C22.1-02*. En Canadá, el electrodoméstico se debe conectar a tierra de acuerdo con el Código Canadiense de Electricidad. Cerciérese de que la instalación y puesta a tierra del electrodoméstico sean efectuadas adecuadamente por un técnico calificado.
- Nunca use el electrodoméstico como calefacción del cuarto.
- No deje a los niños solos: no se debe dejar a los niños sin supervisión en el área donde el electrodoméstico esté en uso. Jamás se les debe permitir que se sienten ni se paren en parte alguna del electrodoméstico.
- Use ropa apropiada: nunca debe ponerse ropa holgada o que quede colgando mientras esté usando el electrodoméstico.
- Servicio del usuario: no repare ni reemplace pieza alguna del electrodoméstico a menos que se recomiende específicamente en el manual. Cualquier otro servicio se debe dejar en las manos de un técnico competente.
- Almacenaje en o sobre el electrodoméstico: los materiales inflamables no deben almacenarse en el horno o cerca de las unidades exteriores.
- Este electrodoméstico no ha sido diseñado para almacenar objetos.
- No use agua en incendios provocados por grasa: el incendio o la llama o use un extinguidor de tipo espuma o químico seco.
- No use piezas de repuesto que no hayan sido recomendadas por el fabricante (por ejemplo, piezas hechas en casa con una impresora 3D).
- Use solo agarradores que estén secos: los agarradores húmedos o mojados en las superficies calientes pueden ocasionar quemaduras por vapor. No deje que el agarrador toque los elementos calefactores calientes. No use una toalla ni otros paños voluminosos.
- Tenga cuidado al abrir la puerta: deje que salga el aire caliente o el vapor antes de quitar o volver a colocar alimentos.
- **NO TOQUE LOS ELEMENTOS CALEFACTORES NI LAS SUPERFICIES INTERIORES DEL HORNO:** los elementos calefactores podrían estar calientes, incluso si su color es oscuro. Las superficies interiores de un horno se calientan lo suficiente como para causar quemaduras. Durante y después del uso, no toque ni deje que la ropa u otros materiales inflamables toquen los elementos calefactores ni las superficies interiores del horno hasta que haya transcurrido tiempo suficiente para que se enfríen. Otras superficies del electrodoméstico pueden calentarse lo suficiente como para causar quemaduras, entre esas superficies están los elementos de la bobina y de la superficie de cocción, los orificios de ventilación del horno y las superficies cercanas a esos orificios, las puertas del horno y las ventanas de las puertas del horno.
- No ponga a calentar recipientes de alimentos cerrados: la acumulación de presión puede hacer que el recipiente explote y ocasione lesiones.
- Mantenga los ductos de ventilación del horno sin obstrucciones.

**GUARDE ESTAS INSTRUCCIONES**

## INSTRUCCIONES IMPORTANTES DE SEGURIDAD

**ADVERTENCIA:** Para reducir el riesgo de incendio, choque eléctrico o lesiones personales al usar el electrodoméstico, siga precauciones básicas, entre ellas las siguientes:

- Colocación de las parrillas del horno: siempre coloque las parrillas del horno en el lugar deseado mientras el horno esté frío. Si se debe mover la parrilla mientras el horno está caliente, no permita que el agarrador de ollas entre en contacto con el elemento calefactor caliente en el horno.

### Para los hornos con autolimpieza:

- No limpie la junta de la puerta: la junta de la puerta es esencial para un cierre hermético. Deberá tenerse cuidado de no frotar, dañar ni mover la junta.
- No use revestimiento protector para forrar el horno ni productos de limpieza comerciales para horno a menos que estén certificados para el uso en hornos con autolimpieza.
- Limpie solamente las partes enlistadas.

**PRECAUCIÓN:** NO DEJE ALIMENTOS O UTENSILIOS PARA COCINAR, ETC., EN EL HORNO DURANTE EL MODO DE FUNCIONAMIENTO AUTOLIMPIEZA PIROLÍTICA.

- Antes de hacer la autolimpieza del horno, quite la charola para asar a la parrilla y otros utensilios y limpie todos los derrames excesivos.

### Para estufas y hornos inteligentes habilitados:

- Operación remota: este electrodoméstico es configurable para autorizar la operación remota en cualquier momento. No almacene materiales inflamables o artículos sensibles a la temperatura en el interior, en o cerca de la superficie del electrodoméstico.

## GUARDE ESTAS INSTRUCCIONES

## Guía de conectividad a Internet solo para electrodomésticos conectados

**IMPORTANTE:** La instalación correcta del electrodoméstico antes del uso es su responsabilidad. Asegúrese de leer y seguir las instrucciones de instalación incluidas con el electrodoméstico.

La conectividad requiere Wi-Fi y crear una cuenta. Las características y las funciones de la aplicación están sujetas a cambios. Es posible que se apliquen tarifas para transmisión de datos. Una vez instalada, inicie la aplicación. Se le guiará por los pasos para configurar una cuenta de usuario y conectar su electrodoméstico.

### Necesitará:

- Un enrutador inalámbrico doméstico que admita Wi-Fi, 2,4 GHz con seguridad WPA2. Si no está seguro de las capacidades de su enrutador, consulte las instrucciones del fabricante de su enrutador.
- El enrutador debe estar encendido y tener una conexión a Internet activada.
- El código SAID de 10 caracteres para su electrodoméstico. El código SAID está impreso en una etiqueta en el electrodoméstico o puede encontrarlo en la pantalla LCD.

### Aviso de conformidad con la Comisión Federal de Comunicaciones (FCC)

Este dispositivo cumple con la Parte 15 de las reglas de la FCC. El funcionamiento está sujeto a las siguientes dos condiciones:

1. Este aparato no provocará interferencias nocivas y
2. Este aparato debe aceptar cualquier interferencia recibida, incluida una que pueda causar un funcionamiento no deseado.

Los cambios o las modificaciones sin aprobación expresa de la parte responsable del cumplimiento podrían anular la autorización del usuario para operar el equipo.

### Aviso de conformidad con Industry Canada (IC)

Este dispositivo cumple con las normas RSS exentas de licencia de Industry Canada. El funcionamiento está sujeto a las siguientes dos condiciones:

1. Es posible que este dispositivo no cause interferencia.
2. Este dispositivo debe aceptar cualquier interferencia, incluida una que pueda causar un funcionamiento no deseado del dispositivo.

Según la normativa de Industry Canada, este radiotransmisor solo puede operar con una antena de un tipo y máxima (o menor) ganancia aprobada para el transmisor por Industry Canada. Para reducir la potencial interferencia de radio para otros usuarios, el tipo de antena y su ganancia deben elegirse de modo que la potencia radiada isotrópicamente equivalente (e.i.r.p.) no sea mayor que la necesaria para una comunicación satisfactoria.

Para cumplir con los límites de exposición a radiación RF de la FCC e Industry Canada para la población general, las antenas usadas para este transmisor deben instalarse de modo que se mantenga una distancia de separación mínima de 20 cm entre el radiador (antena) y todas las personas en todo momento y no se debe ubicar ni operar junto con ninguna otra antena o transmisor.

Si este equipo causa interferencia perjudicial en la recepción de radio o televisión, lo cual se puede determinar apagando y encendiendo el equipo, se recomienda al usuario que intente corregir la interferencia tomando una de las siguientes medidas:

- Reoriente o reubique la antena receptora.
- Aumente la separación entre el equipo y el receptor.
- Conecte el equipo a un tomacorriente en un circuito diferente del que se usa para conectar el receptor.
- Consulte al distribuidor o a un técnico en radio/TV con experiencia en caso de necesitar ayuda.

# MANTENIMIENTO Y CUIDADO DEL HORNO

## Limpieza general

**IMPORTANTE:** Antes de la limpieza, asegúrese de que todos los controles estén apagados y que el horno esté frío. Siempre siga las instrucciones de las etiquetas de los productos de limpieza.

En primer lugar, se sugiere el empleo de jabón, agua y una esponja o paño suave, salvo que se indique lo contrario.

## SUPERFICIES EXTERIORES DE ESMALTE DE PORCELANA (en algunos modelos)

Los derrames de alimentos que contienen ácidos, como vinagre y tomate, deben limpiarse apenas se enfríe por completo la estufa. Esos derrames pueden afectar el acabado.

### Método de limpieza:

- Limpiavidrios, limpiador líquido suave o estropajo no abrasivo:  
Limpie cuidadosamente alrededor de la placa con el número de modelo/serie/clasificación porque el fregado puede borrar los números.
- Affresh®† Limpiador para cocina y electrodomésticos Número de pieza W10355010 (no se incluye):  
Para obtener información sobre pedidos, consulte la Guía de inicio rápido.

## ACERO INOXIDABLE (en algunos modelos)

**NOTA:** Para evitar daños a las superficies de acero inoxidable, no use estropajos que contenga jabón, productos de limpieza abrasivos, estropajos de lana de acero, paños ásperos o toallas de papel abrasivas. Se podrían producir daños en las superficies de acero inoxidable, incluso aunque solo se usen una vez o de forma limitada.

### Método de limpieza:

Frote en la dirección de la veta para evitar daños.

- Affresh® Limpiador para acero inoxidable número de referencia W10355016 (no se incluye):  
Para obtener información sobre pedidos, consulte la Guía de inicio rápido.

## ACERO INOXIDABLE Y ACERO INOXIDABLE NEGRO (en algunos modelos)

Para evitar daños a las superficies de acero inoxidable o acero inoxidable negro, no use estropajos precargados con jabón, productos de limpieza abrasivos, limpiador para superficies de cocción, estropajos de lana de acero, paños de lavar ásperos o toallas de papel abrasivas.

### Método de limpieza:

Frote en la dirección de la veta para evitar daños.

- Limpiador para acero inoxidable Affresh® número de referencia W10355016 (no se incluye): Toallitas de limpieza para acero inoxidable número de referencia W10355049 (no se incluye):  
Para obtener información sobre pedidos, consulte la Guía rápida de inicio.

## PINTURA METÁLICA (en algunos modelos)

No use productos de limpieza abrasivos, limpiadores con blanqueador, removedores de óxido, amoníaco ni hidróxido de sodio (lejía), ya que se pueden manchar las superficies pintadas.

## PANEL DE CONTROL Y EXTERIOR DE LA PUERTA DEL HORNO

Para evitar daños en el panel de control, no use productos de limpieza abrasivos, estropajos de lana de acero, paños de lavar ásperos ni toallas de papel abrasivas.

### Método de limpieza:

- Limpiavidrios y un paño o una esponja suave:  
Aplique el limpiavidrios en una esponja o paño suave, no directamente sobre el panel.
- Limpiador para cocina y electrodomésticos affresh® Número de pieza W10355010 (no se incluye):  
Para obtener información sobre pedidos, consulte la Guía de inicio rápido.

**NOTA:** Para limpiar a profundidad, debe quitar primero la puerta del horno. Consulte la sección "Puerta del horno".

## PARRILLAS DEL HORNO

### Método de limpieza:

- Estropajo de lana de acero.
- Para las parrillas que se han decolorado y que no se deslizan con facilidad, la aplicación de una capa delgada de aceite vegetal a las guías de la parrilla hará que se deslicen con más facilidad.

## CAVIDAD ABIERTA INTERIOR DE LA PUERTA DEL HORNO

No use productos de limpieza para hornos.

Las salpicaduras de alimentos deben limpiarse cuando el horno se enfríe. A altas temperaturas, la reacción química de los alimentos con la porcelana puede ocasionar manchas, corrosión, picaduras o puntos blancos tenues.

### Método de limpieza:

- Ciclo de autolimpieza:  
Consulte primero la sección "Ciclo de autolimpieza". Quite las parrillas o se decolorarán y será más difícil deslizarlas. Si esto ocurre, la aplicación de una capa ligera de aceite vegetal en las guías de la parrilla ayudará a que se deslicen con mayor facilidad.
- Para conseguir un resultado óptimo con la limpieza, elimine la suciedad acumulada con una esponja húmeda antes de realizar el ciclo.

†Affresh® es una marca registrada de Whirlpool, U.S.A.

## ACCESORIOS +POWERED (eléctricos) (en algunos modelos)

Para evitar daños en las superficies antiadherentes, no use limpiadores abrasivos, estropajos de lana de acero, paños de lavar ásperos ni toallas de papel abrasivas. Las salpicaduras de alimentos deben limpiarse cuando los accesorios +Powered (eléctricos) se enfríen.

### ⚠ ADVERTENCIA



#### Peligro de choque eléctrico

**No sumerja el elemento calefactor en agua ni lo introduzca en el lavavajillas.**

**Hacerlo puede ocasionar la muerte o un choque eléctrico.**

No remoje ni sumerja el elemento calefactor.

#### Método de limpieza:

- Jabón, agua y una esponja o paño suave: Limpie el elemento calefactor cuando esté fresco. Todos los accesorios pueden limpiarse con jabón, agua y una esponja o paño suave.
- Lavavajillas: La bandeja de la base, el accesorio +Grill (parrilla), el accesorio +Baking Stone (piedra para hornear) y el accesorio +Steamer (vaporera) pueden lavarse en lavavajillas.
- Affresh® Limpiador de superficies de cocción: La suciedad rebelde en el accesorio +Baking Stone (piedra para hornear) puede limpiarse con bicarbonato de sodio y una esponja para fregar resistente que no raye. Frote la crema sobre la superficie con una toalla de papel húmeda o un paño suave. Continúe frotando hasta que la película blanca desaparezca.

Vea las Instrucciones para el usuario de los accesorios eléctricos del horno Smart Oven+ para ver instrucciones a detalle.

## Ciclo de autolimpieza

### ⚠ ADVERTENCIA



#### Peligro de quemaduras

**No toque el horno durante el ciclo de Autolimpieza.**

**Mantenga a los niños lejos del horno durante el ciclo de Autolimpieza.**

**No seguir estas instrucciones podría ocasionar quemaduras.**

**IMPORTANTE:** La salud de algunos pájaros es sumamente sensible a los gases emanados durante el ciclo de autolimpieza. La exposición a las emanaciones puede ocasionar la muerte de ciertas aves. Siempre traslade las aves a otra habitación cerrada y bien ventilada.

Ponga a funcionar la autolimpieza del horno antes de que se impregne de suciedad. La suciedad intensa dará como resultado una limpieza más larga y más humo.

Mantenga la cocina bien ventilada durante el ciclo de autolimpieza; esto ayudará a que haya menos calor, olores y humo.

No bloquee las ventilaciones del horno durante el ciclo de autolimpieza. El aire debe moverse con libertad. Consulte la sección "Respiraderos del horno".

No limpie, frote, dañe ni mueva la junta de la puerta del horno. La junta de la puerta es esencial para que quede bien sellada.

#### Prepare el horno:

- Retire la bandeja para asar, la rejilla, los utensilios de cocina, los utensilios para hornear y, en algunos modelos, la sonda de temperatura del horno.
- Retire las parrillas del horno para mantenerlas brillantes y fáciles de deslizar. Vea la sección "Limpieza general" para obtener más información.
- Quite cualquier papel del horno, ya que se puede quemar o derretir, lo que dañará al horno.
- Limpie a mano el borde interior de la puerta y el área de 1 1/2" (3,8 cm) alrededor de la cavidad interior del horno, y asegúrese de no mover ni doblar la junta. Esta zona no se calienta lo suficiente durante la autolimpieza como para quitar la suciedad. No deje que entre agua, limpiador, etc. en las ranuras del marco de la puerta. Use un paño húmedo para limpiar esta zona.
- Limpie cualquier suciedad que esté suelta para reducir el humo y evitar daños. A altas temperaturas, los alimentos reaccionan con la porcelana. Esto puede dar lugar a manchas, marcas, picaduras o manchas blancas tenues. Esto es normal y no afecta al resultado de la cocción.

#### IMPORTANTE:

- La temperatura del horno deberá estar por debajo de 500 °F (260 °C) para programar un ciclo de limpieza.
- Para hornos dobles solamente: Solo se puede limpiar 1 horno a la vez.
- Para hornos dobles solamente: Las puertas de los dos hornos se bloquearán cuando en cualquiera de los dos esté funcionando el ciclo de autolimpieza.

#### Funcionamiento del ciclo

**IMPORTANTE:** Si la porcelana se calienta o se enfría sobre el acero en el horno, se puede producir cambio de color, pérdida de brillo, pequeñas fisuras y sonidos de estallido.

El ciclo de autolimpieza usa temperaturas muy altas que queman la suciedad, convirtiéndola en ceniza.

**NOTA:** Deben pasar 12 horas antes de que empiece la siguiente autolimpieza.

Una vez que se haya enfriado el horno por completo, quite las cenizas con un paño húmedo. Para evitar la rotura del vidrio, no le aplique un paño húmedo y frío al vidrio interior de la puerta antes de que se haya enfriado por completo.

Las luces de los hornos no funcionan durante el ciclo de autolimpieza.

**NOTA:** Cada horno tiene un motor de ventilador enfriador de dos velocidades. Durante el ciclo de autolimpieza, los ventiladores funcionan a máxima velocidad para aumentar el flujo de aire y eliminar mejor el aire caliente a través de los respiraderos de los hornos. Es posible que se observe aumento del ruido durante y después del ciclo de autolimpieza hasta que el horno se enfríe.

Antes de la autolimpieza, asegúrese de que la puerta esté completamente cerrada; de lo contrario no quedará bloqueada y no comenzará el ciclo de autolimpieza. Si el horno está bloqueado, no se pueden abrir las puertas del mismo. Para evitar daños a las puertas, no las fuerce para abrirlas cuando el horno esté bloqueado.

#### Para usar la autolimpieza:

**NOTA:** Para ver instrucciones específicas sobre el ciclo de autolimpieza, vea la Guía de control en línea para su modelo.

1. Cierre la puerta, y (para modelos seleccionados) toque el teclado de herramientas.
2. Seleccione el icono de autolimpieza.
3. (En hornos dobles) Seleccione la cavidad superior o la inferior. En algunos modelos, seleccione el teclado numérico "1" o "2" para seleccionar el horno que desea limpiar.
4. Seleccione la duración o el nivel de limpieza. Esto impactará la duración que puede durar de 3 a 6 horas, incluido el enfriamiento. Si este modelo ofrece "Steam Clean" (Limpieza con vapor), revise la sección "Steam Clean".
5. (En modelos seleccionados) siga las indicaciones de la pantalla del horno para prepararlo.
6. Seleccione Inicio O BIEN (en modelos seleccionados) seleccione "Delay Start" (Inicio diferido) para establecer un ciclo de autolimpieza para después. Consulte la sección "Para iniciar el retraso del ciclo de autolimpieza". Las puertas del horno se cerrarán automáticamente.

**NOTA:** Después de iniciar el ciclo de autolimpieza, el bloqueo automático de las puertas puede tardar un momento. Las puertas se destrabarán automáticamente una vez que el ciclo de autolimpieza termine y el horno esté fresco.

7. Una vez que se haya enfriado el horno por completo, quite las cenizas con un paño húmedo.

#### Delay Start (Inicio diferido):(en modelos selectos)

En función de su modelo, su horno podría retrasar el inicio del ciclo de autolimpieza. Es posible que pueda usar uno de los métodos que se indican a continuación.

**NOTA:** Para ver instrucciones específicas sobre el ciclo de Inicio diferido de la autolimpieza, vea la Guía de control en línea para su modelo.

#### Versión A:

1. Siga los pasos del 1 al 5 de la sección "Para usar la autolimpieza"
2. Seleccione Delay Start (Inicio diferido).
3. Seleccione el tiempo de inicio del ciclo de autolimpieza mediante el desplazamiento de izquierda a derecha.
4. Seleccione Start Delay (iniciar retraso).  
Las puertas de los hornos se bloquearán automáticamente después de la cuenta regresiva del inicio diferido. Cuando haya terminado el ciclo de autolimpieza y el horno se enfríe, las puertas de los hornos se desbloquearán.
5. Una vez que se haya enfriado el horno por completo, quite las cenizas con un paño húmedo.

#### Versión B:

1. Cierre las puertas de los hornos y presione Delay Start (Inicio diferido).
2. (En hornos dobles) Seleccione la cavidad superior o la inferior. En algunos modelos, seleccione el teclado numérico "1" o "2" para seleccionar el horno que desea limpiar.
3. Seleccione las teclas numéricas para ingresar el tiempo que usted desea retrasar el ciclo.
4. Presione Self Clean (Autolimpieza).
5. Seleccione el nivel de limpieza.

6. Presione Start (Inicio) para el horno seleccionado.  
Las puertas de los hornos se bloquearán automáticamente después de la cuenta regresiva del inicio diferido.  
Cuando haya terminado el ciclo de autolimpieza y el horno se enfríe, las puertas de los hornos se desbloquearán.
7. Una vez que se haya enfriado el horno por completo, quite las cenizas con un paño húmedo.

#### Para detener la autolimpieza en cualquier momento:

Toque el teclado Oven Cancel para modelos de un solo horno, o los teclados para modelos de doble horno. Si la temperatura es demasiado alta, las puertas de los hornos permanecerán bloqueadas. No se desbloquearán hasta que se enfríen los hornos.

## Steam Clean (Limpieza con vapor) (en algunos modelos)

La función Steam Clean (limpieza con vapor) está pensada para la limpieza ligera de la base de la cavidad del horno en los modelos con horneado oculto en ambos hornos.

Espere a que el horno se enfríe a temperatura ambiente antes de utilizar la función Steam Clean (limpieza con vapor). Si la cavidad del horno está por encima de 93 °C (200 °F), la función de limpieza con vapor no se activará hasta que se enfríe.

Quite todas las parrillas y accesorios de la cavidad del horno.

Para mejores resultados, utilice 295,7 mL (10 oz) de agua destilada o filtrada. No use productos de limpieza para hornos.

La función de limpieza con vapor tarda 1 hora aproximadamente. Se emitirá un sonido al final del ciclo.

**IMPORTANTE:** Dado que el agua de la base del horno estará caliente, no abra el horno durante el ciclo de limpieza con vapor.

Toque Oven Cancel (cancelar horno) en los modelos con un horno o Upper/Lower (superior/inferior) en los modelos con dos hornos en cualquier momento si desea finalizar el ciclo. La pantalla regresará a la hora del día.

#### Consejos útiles

- Una vez que el ciclo Steam Clean (limpieza con vapor) haya concluido y el horno se haya enfriado por completo, retire el resto de agua de la base del horno con una esponja o un paño.
- Seque la humedad restante del interior de la puerta del horno, los lados interiores de la cavidad del mismo y la superficie de cocción.
- Use un cepillo suave o un raspador de plástico para limpiar el interior del horno. Esto puede ayudar con manchas más rebeldes.
- Se recomienda usar agua destilada o filtrada, ya que el agua del grifo puede dejar depósitos de minerales en la base del horno. Use un paño empapado con vinagre o jugo de limón para retirar los depósitos de minerales que puedan haber quedado después del ciclo de limpieza con vapor.
- Si el horno está muy sucio, utilice el ciclo de autolimpieza. El ciclo de limpieza con vapor puede utilizarse inicialmente para eliminar la mayoría de residuos y conseguir después una autolimpieza más eficaz.

#### Para realizar la limpieza con vapor:

1. Abra la puerta del horno seleccionado y retire todas las parrillas y accesorios de la cavidad del horno.
2. Vierta 295,7 mL (10 oz) de agua destilada o filtrada en la base del horno. A continuación cierre la puerta del horno.
3. Toque la tecla Herramientas.  
(En los modelos con horno doble) Seleccione la cavidad superior o la inferior.
4. Seleccione STEAM CLEAN (limpieza con vapor).

5. Seleccione START (Inicio).
6. Después de aproximadamente 1 hora, sonará una señal para indicar que el ciclo ha terminado. Toque el teclado para modelos de un solo horno y los teclados para modelos de horno doble para borrar la pantalla.
7. Cuando el horno se haya enfriado por completo, retire el agua sobrante con una esponja o un paño y limpie el interior del horno. Si es necesario, utilice una esponja de cobre que no raye para eliminar la suciedad rebelde.

## INSTRUCCIONES DE INSTALACIÓN

### REQUISITOS

### Herramientas y piezas

Reúna las herramientas y las piezas necesarias antes de comenzar la instalación. Lea y siga las instrucciones provistas con cualquiera de las herramientas detalladas aquí.

#### Herramientas necesarias

- Destornillador Phillips
- Cinta métrica
- Taladro manual o eléctrico (para instalaciones en gabinetes de pared)
- Broca de 1" (2,5 cm) (para instalaciones en gabinetes de pared)
- Nivel
- Destornillador de cabeza plana

#### Piezas necesarias

- Conector de conducto homologado por UL o aprobado por CSA
- Conectores para cable homologados por UL

#### Piezas suministradas

- Tornillos n.º 8-14 x 3/4" (1,9 cm): hornos simples (2), hornos dobles (4)
- Tornillos n.º 8-18 x 3/8" (9,5 mm): ducto de ventilación inferior (2)
- Tornillos n.º 8-18 x 3/8" (9,5 mm): protector de ventilación inferior (2)
- Tornillos n.º 8-18 x 3/8" (9,5 mm): Moldura de ventilación inferior (4)
- Patas traseras: horno doble (2)
- Patas delanteras: horno doble (2)
- Ventila y protector inferiores

Verifique los códigos locales. Compruebe el suministro eléctrico existente. Consulte la sección "Requisitos eléctricos".

Es recomendable que todas las conexiones eléctricas sean realizadas por un instalador eléctrico competente autorizado.

**NOTA:** Asegúrese de comprar únicamente piezas y accesorios Whirlpool certificados de fábrica para su electrodoméstico. Su instalación puede requerir piezas adicionales. Para pedir las, consulte la información de contacto que figura en la Guía rápida para comenzar.

### Requisitos de ubicación

**IMPORTANTE:** Respete todos los códigos y las ordenanzas vigentes.

- Para eliminar el riesgo de quemaduras o incendio al buscar artículos encima de unidades con la superficie caliente, deberá evitarse el uso de gabinetes de almacenamiento encima de las unidades. Si van a proveerse gabinetes de almacenamiento, puede reducir el riesgo instalando una campana de estufa que se proyecte horizontalmente un mínimo de 5" (12,7 cm) sobresaliendo de la base de los gabinetes.
- Deben usarse las dimensiones de la abertura del gabinete que se muestran. Las dimensiones dadas proveen un espacio mínimo, con el horno.
- El área de instalación empotrada debe estar completamente cerrada alrededor de la parte empotrada del horno.
- Se requiere un suministro eléctrico conectado a tierra. Consulte la sección "Requisitos eléctricos".
- La caja de empalmes del suministro eléctrico debe estar como máximo a 3" (7,6 cm) por debajo de la superficie de soporte cuando el horno se instale en un gabinete de pared. Se debe perforar un orificio de 1" (2,5 cm) de diámetro como mínimo en la esquina trasera derecha o izquierda de la superficie de soporte para pasar el cable del electrodoméstico a través de la caja de empalmes.

**NOTA:** Para la instalación debajo del mostrador, se recomienda que la caja de empalmes se ubique en el gabinete adyacente de la derecha o izquierda. Si se instala la caja de empalmes sobre la pared trasera detrás del horno, se recomienda que la caja quede empotrada y en el centro de la parte superior del gabinete.

- La superficie de apoyo del horno debe ser maciza, estar nivelada y alineada con la parte inferior del recorte del gabinete.
- El piso debe poder soportar un horno simple con peso de 200 libras (91 kg) para modelos de 30" (76,2 cm).
- El piso debe poder soportar el peso de un horno doble de 330 libras (150 kg) para modelos de 30" (76,2 cm).

**IMPORTANTE:** Para evitar daños a los gabinetes, consulte al constructor o al proveedor de los gabinetes para asegurarse de que los materiales empleados no cambien de color, no se desprenda el laminado ni sufran ningún otro tipo de daño. Este horno fue diseñado de acuerdo con los requisitos de UL y CSA International y cumple con las temperaturas máximas permitidas para gabinetes de madera de 194 °F (90 °C).

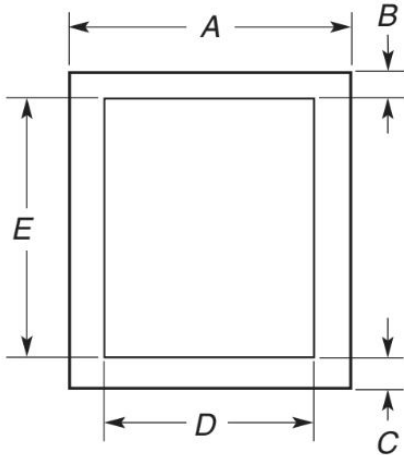


**Instalación debajo del mostrador (con la superficie de cocción instalada encima):**

Los hornos que hayan sido aprobados para este tipo de instalación tienen la etiqueta de aprobación ubicada en la parte superior del horno. Consulte las dimensiones de recorte para hornos instalados bajo la superficie de cocción.

**Dimensiones del gabinete: Hornos simples, instalación estándar**

**Horno simple debajo del mostrador (sin la superficie de cocción instalada arriba)**



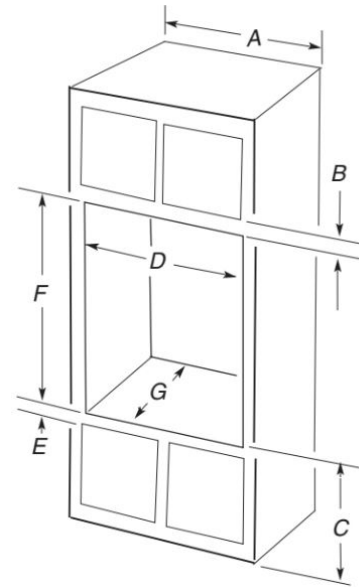
**Modelos de 27" (68,6 cm)**

- A. 27" (68,6 cm) de ancho mínimo del gabinete
- B. 1 1/2" (3,8 cm) mín. de la parte superior del corte a la cara inferior del mostrador
- C. 5 1/4" (13,3 cm) de la parte inferior del corte al piso
- D. 25 1/2" (64,8 cm) de ancho mínimo de recorte
- E. 28" (71,2 cm) de altura mínima de recorte

**Modelos de 30" (76,2 cm)**

- A. 30" (76,2 cm) de ancho mínimo del gabinete
- B. 1 1/2" (3,8 cm) mín. de la parte superior del corte a la cara inferior del mostrador
- C. 5 1/4" (13,3 cm) de la parte inferior del corte al piso
- D. 28 1/2" (72,4 cm) de ancho mínimo de recorte
- E. 28" (71,2 cm) de altura mínima de recorte

**Hornos simples instalados en gabinete**



**Modelos de 27" (68,6 cm)**

- A. 27" (68,6 cm) de ancho mínimo del gabinete
- B. 1 1/4" (3,2 cm) de la parte superior del recorte a la parte inferior de la puerta superior del gabinete
- C. 32" (81,3 cm) de la parte inferior del recorte al piso
- D. 25 1/2" (64,8 cm) de ancho mínimo de recorte
- E. 1 1/2" (3,8 cm) mín. de la parte inferior del recorte a la parte superior de la puerta del armario
- F. 28" (71,2 cm)\* altura del recorte recomendada
- G. 24" (60,7 cm) profundidad de recorte

**Modelos de 30" (76,2 cm)**

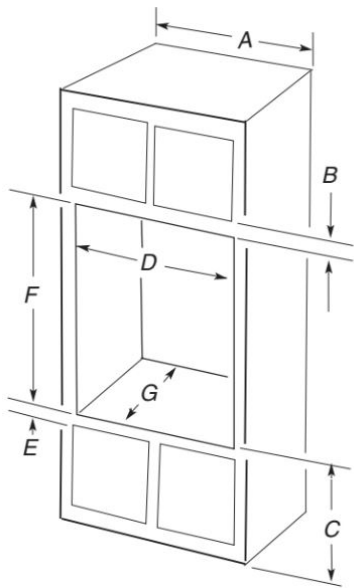
- A. 30" (76,2 cm) de ancho mínimo del gabinete
- B. 1 1/4" (3,2 cm) de la parte superior del recorte a la parte inferior de la puerta superior del gabinete
- C. 32" (81,3 cm) de la parte inferior del recorte al piso
- D. 28 1/2" (72,4 cm) de ancho mínimo de recorte
- E. 1 1/2" (3,8 cm) mín. de la parte inferior del recorte a la parte superior de la puerta del armario
- F. 28" (71,2 cm)\* altura del recorte recomendada
- G. 24" (60,7 cm) profundidad de recorte

**\*NOTA:** La altura del recorte puede ser de 26<sup>15</sup>/<sub>16</sub>" a 29<sup>7</sup>/<sub>16</sub>" (de 68,4 cm a 74,8 cm) para los hornos simples.

**\*NOTA:** Escudo alto para instalaciones de más de 28<sup>11</sup>/<sub>16</sub>" (72,9 cm).

## Dimensiones del gabinete: Hornos dobles, instalación estándar

### Hornos dobles instalados en gabinete



#### Modelos de 27" (68,6 cm)

- A. 27" (68,6 cm) de ancho mínimo del gabinete
- B. 1 1/4" (3,2 cm) de la parte superior del recorte a la parte inferior de la puerta superior del gabinete
- C. Se recomiendan 14 3/4" (37,5 cm) de la parte inferior del corte al piso. De 4" a 14 3/4" (de 10,2 cm a 37,5 cm) de la parte inferior del corte al piso son aceptables.
- D. 25 1/2" (64,8 cm) de ancho mínimo de recorte
- E. 1 1/2" (3,8 cm) mín. de la parte inferior del recorte a la parte superior de la puerta del armario
- F. Altura de corte recomendada: 50 1/4" (127,6 cm)\*
- G. 24" (60,7 cm) profundidad de recorte

#### Modelos de 30" (76,2 cm)

- A. 30" (76,2 cm) de ancho mínimo del gabinete
- B. 1 1/4" (3,2 cm) de la parte superior del recorte a la parte inferior de la puerta superior del gabinete
- C. Se recomiendan 14 3/4" (37,5 cm) de la parte inferior del corte al piso. De 4" a 14 3/4" (de 10,2 cm a 37,5 cm) de la parte inferior del corte al piso son aceptables.
- D. 28 1/2" (72,4 cm) de ancho mínimo de recorte
- E. 1 1/2" (3,8 cm) mín. de la parte inferior del recorte a la parte superior de la puerta del armario
- F. Altura de corte recomendada: 50 1/4" (127,6 cm)\*
- G. 24" (60,7 cm) profundidad de recorte

\*NOTA: La altura del recorte puede ser de 48 7/8" a 52 3/16" (de 124,1 cm a 132,6 cm) para los hornos dobles.

\*NOTA: Comuníquese con servicio para obtener un protector alto para cortes mayores de más de 28 11/16" (72,9 cm) para mejorar la instalación.

## Dimensiones del gabinete: Hornos simples, instalación alineada

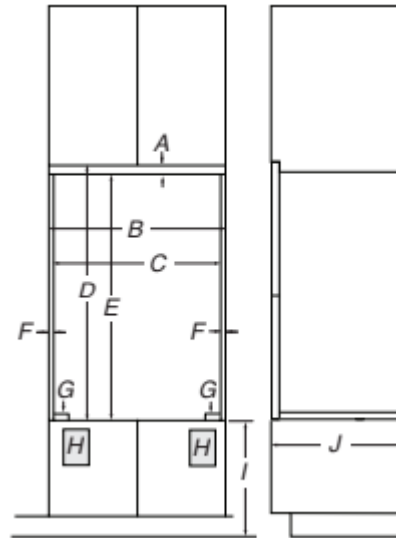
**NOTA:** Esta es una opción alternativa para instalar su producto en el gabinete y obtener una apariencia alineada. Para ver la instalación estándar, consulte la sección "Dimensiones del gabinete: Hornos simples, instalación estándar".

Se requiere de una profundidad de recorte mínima de 25" (63,5 cm).

Estas dimensiones resultarán en una mocheta de 1/4" (6 mm) en la parte superior, una mocheta de 1/4" (6 mm) en los lados y otra de 1/8" (3 mm) en la parte inferior de la pared del horno.

La cara frontal de los tacos y la plataforma será visible y debe tratarse como una superficie terminada.

### Hornos simples instalados en gabinete



Vista frontal

Vista lateral

#### Modelos de 27" (68,6 cm)

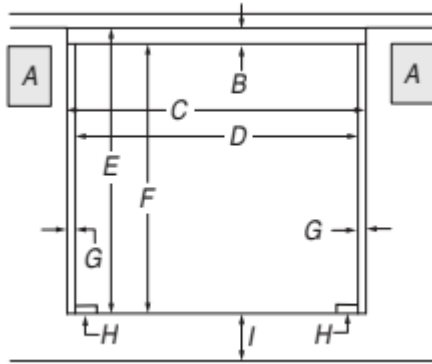
- A. 3/4" (1,9 cm) taco superior\*
- B. 27 1/4" (69,2 cm) de ancho mínimo de recorte empotrado al ras
- C. 25 7/8" (65,7 cm) de ancho mínimo de apertura
- D. 29 1/4" (74,3 cm) de altura mínima de recorte empotrado al ras
- E. 28 1/2" (72,4 cm) altura del corte recomendada
- F. 1 1/16" (1,7 cm) taco lateral\*
- G. 1/4" x 2" (6,4 mm x 5,1 cm) espaciador de toda la profundidad del recorte\*
- H. Ubicación recomendada para la caja de conexiones
- I. 4 5/8" - 32" (11,7 - 81,3 cm) de la parte inferior del recorte al piso
- J. 25" (63,5 cm) de profundidad mínima de recorte

#### Modelos de 30" (76,2 cm)

- A. 3/4" (1,9 cm) taco superior\*
- B. 30 1/4" (76,8 cm) de ancho mínimo de recorte empotrado al ras
- C. 28 7/8" (73,3 cm) de ancho mínimo de apertura
- D. 29 1/4" (74,3 cm) de altura mínima de recorte empotrado al ras
- E. 28 1/2" (72,4 cm) altura del corte recomendada
- F. 1 1/16" (1,7 cm) taco lateral\*
- G. 1/4" x 2" (6,4 mm x 5,1 cm) espaciador de toda la profundidad del recorte \*
- H. Ubicación recomendada para la caja de conexiones
- I. 4 5/8" - 32" (11,7 - 81,3 cm) de la parte inferior del recorte al piso
- J. 25" (63,5 cm) de profundidad mínima de recorte

\* Los tacos y espaciadores deben estar empotrados 1 3/8" (3,5 cm) desde la parte frontal del gabinete.

## Hornos simples debajo del mostrador: sin la superficie de cocción instalada arriba



Vista frontal

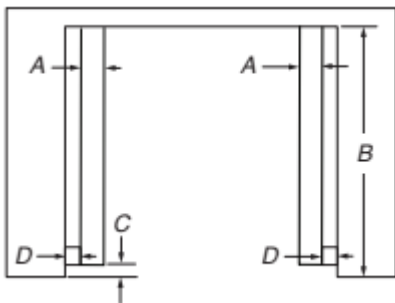
### Modelos de 27" (68,6 cm)

- A. Ubicación recomendada para la caja de conexiones
- B. 3/4" (1,9 cm) taco superior\*
- C. 27 1/4" (69,2 cm) de ancho mínimo de recorte empotrado al ras
- D. 25 7/8" (65,7 cm) de ancho mínimo de apertura
- E. 29 1/4" (74,3 cm) de altura mínima de recorte empotrado al ras
- F. 28 1/2" (72,4 cm) altura del corte recomendada
- G. 11/16" (1,7 cm) taco lateral\*
- H. 1/4" x 2" (6,4 mm x 5,1 cm) espaciador de toda la profundidad del gabinete \*
- I. 4 5/8" (11,7 cm) de la parte inferior del corte al piso

### Modelos de 30" (76,2 cm)

- A. Ubicación recomendada para la caja de conexiones
- B. 3/4" (1,9 cm) taco superior\*
- C. 30 1/4" (76,8 cm) de ancho mínimo de recorte empotrado al ras
- D. 28 7/8" (73,3 cm) de ancho mínimo de apertura
- E. 29 1/4" (74,3 cm) de altura mínima de recorte empotrado al ras
- F. 28 1/2" (72,4 cm) altura del corte recomendada
- G. 11/16" (1,7 cm) taco lateral\*
- H. 1/4" x 2" (6,4 mm x 5,1 cm) espaciador de toda la profundidad del gabinete \*
- I. 4 5/8" (11,7 cm) de la parte inferior del corte al piso

\* Los tacos y espaciadores deben estar empotrados 1 3/8" (3,5 cm) desde la parte frontal del gabinete.



Vista superior

### Modelos de 27" (68,6 cm)

- A. 1/4" x 2" (0,64 cm x 5,1 cm) espaciador de toda la profundidad del recorte \*
- B. 25" (63,5 cm) de profundidad de recorte
- C. 1 3/8" (3,5 cm) hueco del frente del gabinete
- D. 11/16" (1,7 cm) taco lateral\*

### Modelos de 30" (76,2 cm)

- A. 1/4" x 2" (0,64 cm x 5,1 cm) espaciador de toda la profundidad del recorte \*
- B. 25" (63,5 cm) de profundidad de recorte
- C. 1 3/8" (3,5 cm) hueco del frente del gabinete
- D. 11/16" (1,7 cm) taco lateral\*

\* Los tacos y espaciadores deben estar empotrados 1 3/8" (3,5 cm) desde la parte frontal del gabinete.

## Dimensiones del gabinete: Hornos dobles, instalación alineada

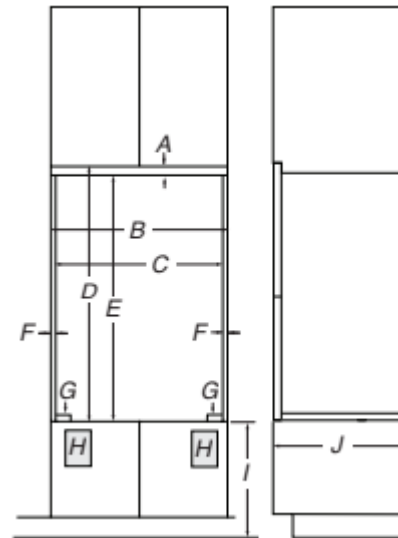
**NOTA:** Esta es una opción alternativa para instalar su producto en el gabinete y obtener una apariencia alineada. Para ver la instalación estándar, consulte la sección "Dimensiones del gabinete: Hornos dobles, instalación estándar".

A 25 3/8" (64,4 cm) de profundidad de recorte mínima.

Estas dimensiones resultarán en una mocheta de 1/4" (6 mm) en la parte superior, una mocheta de 1/4" (6 mm) en los lados y otra de 1/8" (3 mm) en la parte inferior de la pared del horno.

La cara frontal de los tacos y la plataforma será visible y debe tratarse como una superficie terminada.

## Hornos dobles instalados en gabinete



Vista frontal

Vista lateral

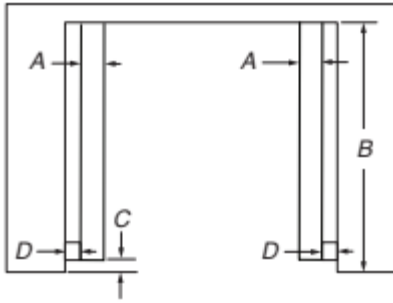
### Modelos de 27" (76,2 cm)

- A. 9/16" (1,4 cm) taco superior\*
- B. 27 1/4" (69,2 cm) de ancho mínimo de recorte empotrado al ras
- C. 25 7/8" (65,7 cm) de ancho mínimo de apertura
- D. 52" (132,1 cm) de altura mínima de recorte empotrado al ras
- E. Altura de corte recomendada: 51 7/16" (130,6 cm)
- F. 11/16" (1,7 cm) taco lateral\*
- G. 1/4" x 2" (0,64 cm x 5,1 cm) espaciador de toda la profundidad del recorte\*
- H. Ubicación recomendada para la caja de conexiones
- I. 4 5/8" - 14 3/4" (11,7 - 37,5 cm) de la parte inferior del recorte al piso
- J. 25 3/8" (64,4 cm) de profundidad mínima de recorte

### Modelos de 30" (76,2 cm)

- A. 9/16" (1,4 cm) taco superior\*
- B. 30 1/4" (76,8 cm) de ancho mínimo de recorte empotrado al ras
- C. 28 7/8" (73,3 cm) de ancho mínimo de apertura
- D. 52" (132,1 cm) de altura mínima de recorte empotrado al ras
- E. Altura de corte recomendada: 51 7/16" (130,6 cm)
- F. 11/16" (1,7 cm) taco lateral\*
- G. 1/4" x 2" (0,64 cm x 5,1 cm) espaciador de toda la profundidad del recorte\*
- H. Ubicación recomendada para la caja de conexiones
- I. 4 5/8" - 32" (11,7 - 81,3 cm) de la parte inferior del recorte al piso
- J. 25 3/8" (64,4 cm) de profundidad mínima de recorte

\* Los tacos y espaciadores deben estar empotrados 1 3/8" (3,5 cm) desde el frente del gabinete.



Vista superior

**Modelos de 27" (68,6 cm)**

- A. 1/4" x 2" (0,64 cm x 5,1 cm) espaciador de toda la profundidad del recorte \*
- B. 25<sup>3</sup>/<sub>8</sub>" (64,4 cm) de profundidad de recorte
- C. 1<sup>3</sup>/<sub>8</sub>" (3,5 cm) hueco del frente del gabinete
- D. 11/16" (1,7 cm) taco lateral\*

**Modelos de 30" (76,2 cm)**

- A. 1/4" x 2" (0,64 cm x 5,1 cm) espaciador de toda la profundidad del recorte \*
- B. 25<sup>3</sup>/<sub>8</sub>" (64,4 cm) de profundidad de recorte
- C. 1<sup>3</sup>/<sub>8</sub>" (3,5 cm) hueco del frente del gabinete
- D. 11/16" (1,7 cm) taco lateral\*

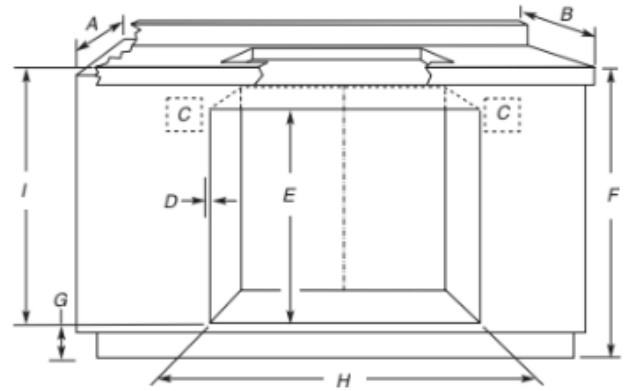
\* Los tacos y espaciadores deben estar empotrados 1<sup>3</sup>/<sub>8</sub>" (3.5 cm) desde el frente del gabinete.

**Dimensiones de recorte para hornos instalados bajo la superficie de cocción**

**IMPORTANTE:** Respete todos los códigos y las ordenanzas vigentes. Se debe aprobar el uso de la superficie de cocción sobre un horno. Para obtener las dimensiones de corte, vea las Instrucciones de instalación de la superficie de cocción. Centre el recorte de la superficie de cocción sobre el corte del horno.

Para evitar daños a los gabinetes, consulte al constructor o al proveedor de los gabinetes para asegurarse de que los materiales empleados no cambien de color, no se desprenda el laminado ni sufran ningún otro tipo de daño. Este horno se ha diseñado de acuerdo con UL y CSA International y cumple con las temperaturas máximas permitidas para gabinetes de madera de 194 °F (90 °C).

**Combinaciones aprobadas de horno integrado y superficie de cocción con bobina/eléctrica radiante**



- A. Profundidad de gabinete de 24" (61 cm)
- B. Profundidad del mostrador de 25" (63,5 cm)
- C. Ubicaciones recomendadas para el horno y la caja de conexiones
- D. Deje 5/8" (1,6 cm) para que el borde del horno quede solapado a cada lado.
- E. 27<sup>3</sup>/<sub>4</sub>" (70,5 cm) de altura mínima de recorte
- F. 36" (91,4 cm) desde el gabinete base al mostrador
- G. 4<sup>5</sup>/<sub>8</sub>" (11,7 cm) máximo desde el gabinete base
- H. Consulte la tabla de dimensiones de recorte.
- I. 31<sup>3</sup>/<sub>8</sub>" (79,7 cm) desde la parte superior del mostrador hasta la parte inferior del recorte

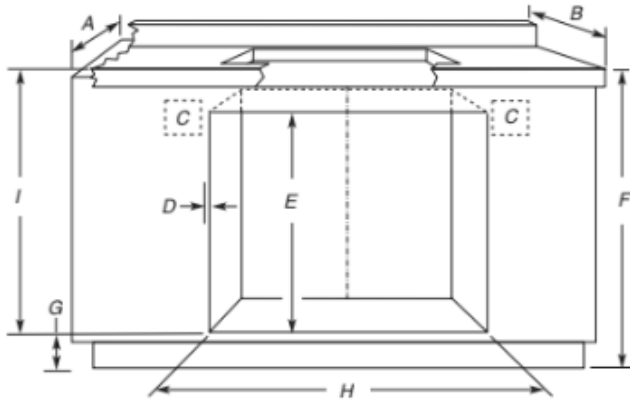
**DIMENSIONES DE RECORTE (H)**

Tamaño del horno	Dimensiones de recorte del horno
24" (61 cm)	22 <sup>1</sup> / <sub>2</sub> " (57,2 cm)
27" (68,6 cm)	25 <sup>1</sup> / <sub>2</sub> " (64,8 cm)
30" (76,2 cm)	28 <sup>1</sup> / <sub>2</sub> " (72,4 cm)
36" (91,4 cm)	34 <sup>1</sup> / <sub>2</sub> " (87,6 cm)

**Para las combinaciones aprobadas del número de modelo, consulte la etiqueta bajo el mostrador ubicada en la parte superior del chasis del horno y en la parte inferior del cuerpo del quemador de la superficie de cocción.**

**NOTA:** Para la instalación bajo el mostrador, se recomienda que las cajas de conexiones del horno y la superficie de cocción se ubiquen en el gabinete adyacente de la derecha o izquierda. Se debe perforar un orificio de 1" (2,5 cm) de diámetro como mínimo en la esquina superior trasera a la derecha o izquierda de la pared lateral para pasar el cable del accesorio a través de la caja de conexiones.

**Combinaciones aprobadas de horno integrado y superficie de cocción de inducción**



- A. Profundidad de gabinete de 24" (61 cm)
- B. Profundidad del mostrador de 25" (63,5 cm)
- C. Ubicaciones recomendadas para el horno y la caja de conexiones
- D. Deje 5/8" (1,6 cm) para que el borde del horno quede solapado a cada lado.
- E. 27<sup>3</sup>/<sub>4</sub>" (70,5 cm) de altura mínima de recorte
- F. 36" (91,4 cm) desde el gabinete base al mostrador
- G. 4<sup>5</sup>/<sub>8</sub>" (11,7 cm) máximo desde el gabinete base Si la dimensión "F" es mayor a 36" (91,4 cm), se debe aumentar la dimensión de "G" en la misma proporción para las combinaciones de inducción.
- H. Consulte la tabla de dimensiones de recorte.
- I. 31<sup>3</sup>/<sub>8</sub>" (82,2 cm) desde la parte superior del mostrador hasta la parte inferior del recorte

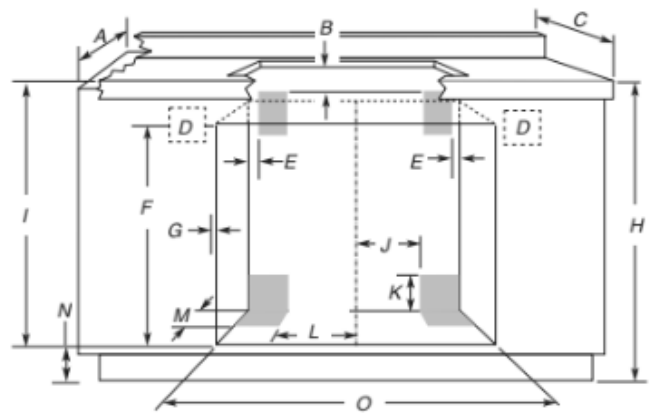
**DIMENSIONES DE RECORTE (H)**

Tamaño del horno	Dimensiones de recorte mínimas del horno
24" (61 cm)	22 <sup>1</sup> / <sub>2</sub> " (57,2 cm)
27" (68,6 cm)	25 <sup>1</sup> / <sub>2</sub> " (64,8 cm)
30" (76,2 cm)	28 <sup>1</sup> / <sub>2</sub> " (72,4 cm)

Para las combinaciones aprobadas del número de modelo, consulte la etiqueta bajo el mostrador ubicada en la parte superior del chasis del horno y en la parte inferior del cuerpo del quemador de la superficie de cocción.

**NOTA:** Para la instalación bajo el mostrador, se recomienda que las cajas de conexiones del horno y la superficie de cocción se ubiquen en el gabinete adyacente de la derecha o izquierda. Se debe perforar un orificio de 1" (2,5 cm) de diámetro como mínimo en la esquina superior trasera a la derecha o izquierda de la pared lateral para pasar el cable del accesorio a través de la caja de conexiones.

**Combinaciones aprobadas de horno integrado y superficie de cocción a gas**



- A. Profundidad de gabinete de 24" (61 cm)
- B. 1" (2,5 cm) de distancia en la parte inferior del mostrador
- C. Profundidad del mostrador de 25" (63,5 cm)
- D. Ubicaciones recomendadas la caja de conexiones
- E. 1" (2,5 cm) de distancia del gabinete
- F. 27<sup>3</sup>/<sub>4</sub>" (70,5 cm) de altura mínima de recorte
- G. Deje 5/8" (1,6 cm) para que el borde del horno quede solapado a cada lado.
- H. 36" (91,4 cm) desde el gabinete base al mostrador
- I. 31<sup>3</sup>/<sub>8</sub>" (79,7 cm) desde la parte superior del mostrador hasta la parte inferior del recorte
- J. Línea de gas a través de la pared 10<sup>1</sup>/<sub>2</sub>" (26,7 cm) al centro del recorte
- K. 3<sup>1</sup>/<sub>4</sub>" (8,3 cm)
- L. Línea de gas a través del piso 10<sup>1</sup>/<sub>2</sub>" (26,7 cm) al centro del recorte
- M. 3<sup>1</sup>/<sub>2</sub>" (8,9 cm)
- N. 4<sup>5</sup>/<sub>8</sub>" (11,7 cm) máximo desde el gabinete base
- O. Consulte la tabla de dimensiones de recorte.

**DIMENSIONES DE RECORTE (O)**

Tamaño del horno	Dimensiones de recorte mínimas del horno
24" (61 cm)	22 <sup>1</sup> / <sub>2</sub> " (57,2 cm)
27" (68,6 cm)	25 <sup>1</sup> / <sub>2</sub> " (64,8 cm)
30" (76,2 cm)	28 <sup>1</sup> / <sub>2</sub> " (72,4 cm)
36" (91,4 cm)	34 <sup>1</sup> / <sub>2</sub> " (87,6 cm)

Para las combinaciones aprobadas del número de modelo, consulte la etiqueta bajo el mostrador ubicada en la parte superior del chasis del horno.

**NOTA:** Para la instalación bajo el mostrador, se recomienda que las cajas de conexiones del horno se ubiquen en el gabinete adyacente de la derecha o izquierda. Se debe perforar un orificio de 1" (2,5 cm) de diámetro como mínimo en la esquina superior trasera a la derecha o izquierda de la pared lateral para pasar el cable del accesorio a través de la caja de conexiones.

Las áreas superiores sombreadas son las ubicaciones recomendadas para la caja de conexiones empotrada para una superficie de cocción con toma de corriente de 120 voltios con conexión a tierra.

Las áreas inferiores sombreadas son las ubicaciones recomendadas para la instalación de tuberías de gas rígidas o flexibles. La conexión del gas en la superficie de cocción está a la derecha (en la misma ubicación que la "J" del diagrama anterior). La tubería de gas se puede instalar a cualquier lado del corte y mediante el suelo o a través de la pared. Consulte los códigos locales en relación con el uso de tuberías de gas.

## Requisitos eléctricos

Si los códigos lo permiten y utiliza un cable de conexión a tierra separado, es recomendable que un instalador eléctrico competente determine si la ruta de conexión a tierra y el calibre del cable cumplen con los códigos locales.

Si no está seguro de que la conexión a tierra del horno sea adecuada, verifíquela con un instalador eléctrico competente.

Este horno debe estar conectado a un sistema de cableado de metal permanente, conectado a tierra.

Asegúrese de que la conexión eléctrica y el tamaño del cable sean adecuados y en conformidad con el National Electrical Code (Código Nacional Eléctrico), ANSI/NFPA 70, última edición, o las normas de CSA C22.1-94, Canadian Electrical Code (Código Canadiense de Electricidad), Parte 1 y C22.2 N.º O-M91, última edición, y todos los códigos y ordenanzas locales.

Puede obtener una copia de los códigos antes indicados en:

National Fire Protection Association

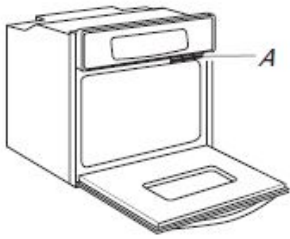
1 Batterymarch Park  
Quincy, MA 02169-7471

CSA International  
8501 East Pleasant Valley Road  
Cleveland, OH 44131-5575

### Conexión eléctrica

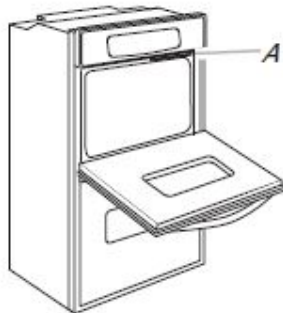
Para instalar el horno correctamente, usted debe determinar el tipo de conexión eléctrica que va a usar y seguir las instrucciones que aquí se proveen para el caso.

- El horno debe estar conectado al voltaje eléctrico y frecuencia apropiados según se especifica en la placa con el número de clasificación del modelo/serie. La placa de modelo/serie/valores nominales está debajo del panel de control en los hornos simples y debajo del panel de control sobre la cavidad del horno superior en los hornos dobles. Vea las ilustraciones a continuación.



**Hornos simples**

A. Placa de modelo/serie/valores nominales



**Horno doble**

A. Placa de modelo/serie/valores nominales

- Los modelos clasificados entre 7,3 y 9,6 kW a 240 V (entre 5,4 y 7,4 kW a 208 V) requieren un circuito de 40 A separado. Los modelos clasificados a 4,8 kW o menos a 240 V (a 3,6 kW o menos a 208 V) requieren un circuito de 20 A separado.
- Se recomienda usar un disyuntor.
- Conecte el horno directamente a un cortacircuitos con fusible (o a una caja de cortacircuitos), a través de un cable flexible, blindado o con forro no metálico, de cobre (con alambre a tierra). Vea la sección "Conexión del suministro eléctrico".
- El conducto flexible del horno deberá conectarse directamente a la caja de empalmes.
- Use fusibles a ambos lados de la línea.
- No corte el conducto. La longitud del conducto provisto es para permitir darle servicio al horno.

- Deberá proveerse un conector de conducto que esté en la lista de UL o aprobado por CSA.
- Si la casa tiene cableado de aluminio, siga el procedimiento a continuación:

Conecte el cableado de aluminio con conectores especiales y/o herramientas diseñadas y homologadas por UL para unir el cobre al aluminio.

Siga el procedimiento recomendado por el fabricante del conector eléctrico. La conexión de cobre/aluminio deberá hacerse en conformidad con los códigos locales y las prácticas de cableado aceptadas por la industria.

## INSTALACIONES

### Preparación del horno empotrado

1. Decida cuál será la ubicación final del horno. Evite perforar o cortar el cableado de la casa durante la instalación.

### **⚠ ADVERTENCIA**

#### **Peligro de peso excesivo**

**Use dos o más personas para mover e instalar o desinstalar el electrodoméstico.**

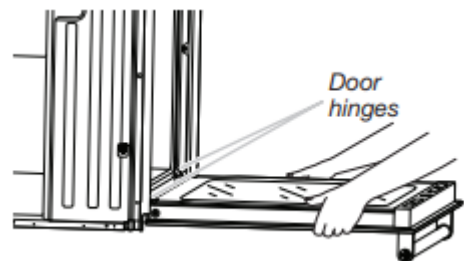
**No seguir esta instrucción puede ocasionar lesiones en la espalda o de otro tipo.**

2. Para evitar daños al piso, coloque el horno sobre un cartón antes de la instalación. No levante el horno sujetándolo de la manija o de cualquier parte del marco frontal.
3. Quite los materiales de envío y la cinta adhesiva del horno. Recuerde conservar los esquineros y otros materiales que pueden ser necesarios para la instalación.
4. Retire el paquete con piezas de ferretería que está dentro de la bolsa que contiene el material impreso.
5. Retire y reserve las parrillas, accesorios y otras piezas del interior del horno.
6. Traslade el horno y la caja cerca de la ubicación final del horno.

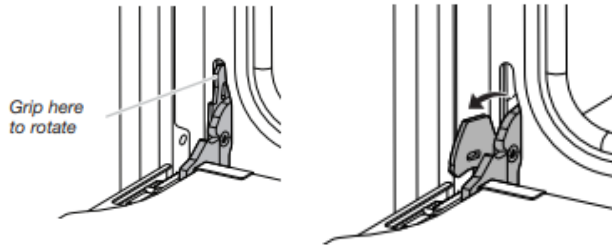
### Retire las puertas del horno

**IMPORTANTE:** Use las 2 manos para retirar la puerta del horno. Para los hornos dobles, repita el proceso con cada puerta.

1. Antes de retirar la puerta del horno, prepare una superficie donde la colocará. Esa superficie debe ser plana y estar cubierta con una manta blanda; también se pueden usar los esquineros del material de embalaje.
2. Abra por completo la puerta del horno.

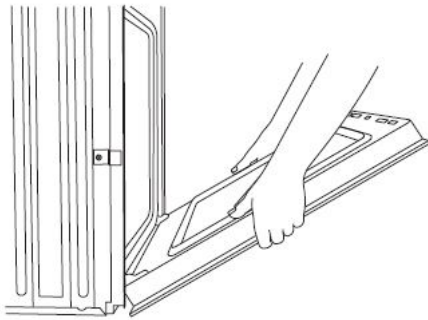


- Ubique las trabas de las bisagras de la puerta en ambas esquinas de la puerta del horno y gire las trabas de las bisagras hacia la puerta del horno a la posición destrabada. Si la traba de las bisagras no se gira por completo (vea la ilustración B), la puerta no se retirará correctamente.

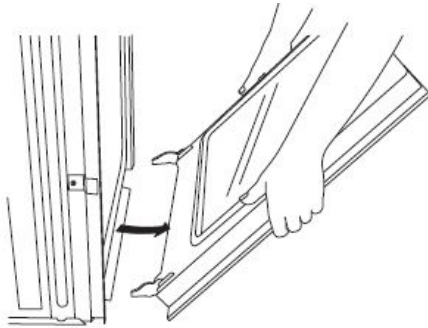


- A. Traba de bisagra de la puerta del horno en posición trabada
- B. Traba de bisagra de la puerta del horno en posición destrabada

- Comience a cerrar la puerta con suavidad. La puerta se detendrá en una posición parcialmente cerrada.



- Tome la puerta del horno por los bordes con las 2 manos. Cierre un poco la puerta del horno más allá de la posición del tope para retirar el peso de las bisagras de la puerta; después, tire de la puerta del horno hacia arriba.



- Tire de la puerta del horno hacia usted para retirarla. Puede ser necesario mover suavemente la puerta de un lado a otro mientras tira de ella.
- Aparte la puerta del horno sobre la superficie de trabajo cubierta que preparó y apóyela sobre la manija.
- Para seguir con la instalación del horno, vaya a la sección "Ubicación de las patas del horno para múltiples alturas de corte del armario".

## Ubicación de las patas del horno para múltiples alturas de corte del armario

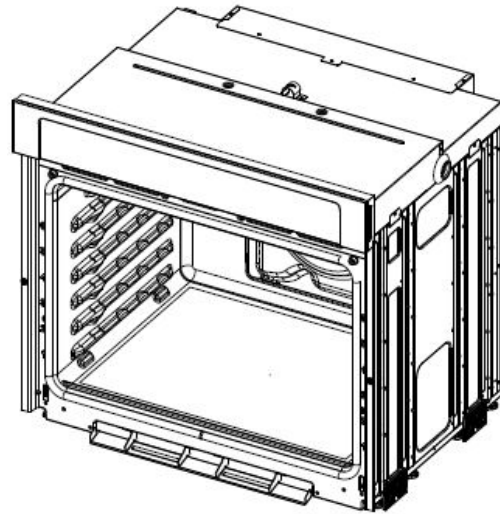
### Hornos simples

La ubicación de las patas del horno permite instalar un horno simple en una altura de corte entre  $26 \frac{15}{16}$ " y  $29 \frac{7}{16}$ " (entre 68,4 cm y 74,8 cm). Consulte las instrucciones que siguen para ubicar las patas para el tamaño del corte de su armario.

**La altura del recorte es de  $27 \frac{5}{8}$ " a  $28 \frac{5}{8}$ " (de 70,2 cm a 72,7 cm)**

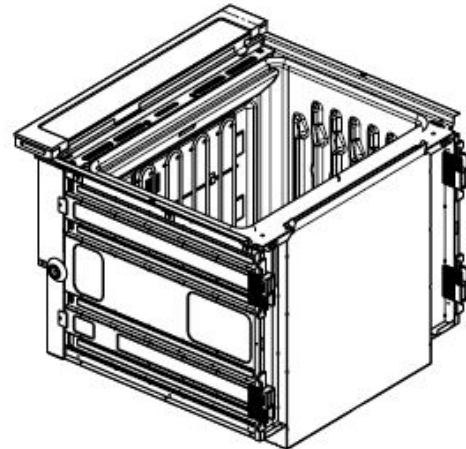
No es necesario cambiar las patas del horno. La posición en que se reciben es correcta.

Vaya a la sección "Hacer conexión eléctrica".



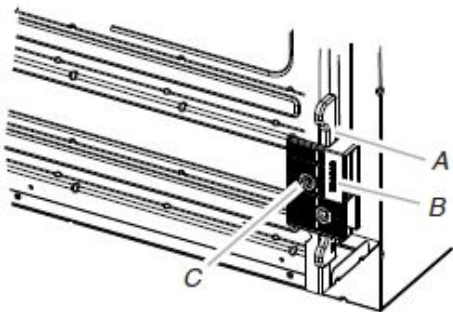
**La altura del recorte es de  $26 \frac{15}{16}$ " a  $27 \frac{11}{16}$ " (de 68,4 cm a 70,3 cm)**

- Con ayuda de 2 o más personas, coloque el horno sobre la parte trasera sobre una superficie cubierta.



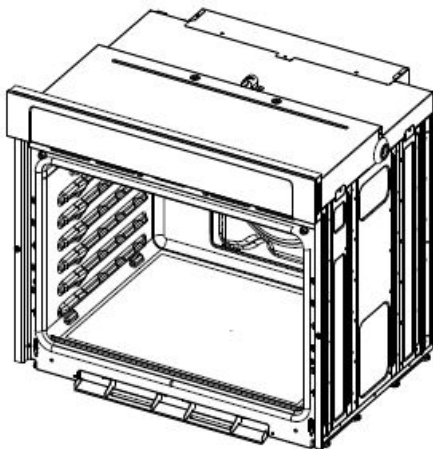
- Para retirar la pata del separador delantero derecho, retire el tornillo n.º 8-18 x 3/8" (0,95 cm).

**NOTA:** No retire el espaciador.



- A. Espaciador
- B. Pata
- C. Tornillo n.º 8-18 x 3/8" (9,5 mm)

- Retire de la misma manera las patas de la parte trasera derecha, delantera izquierda y trasera izquierda del horno.
- Con la ayuda de 2 o más personas, coloque el horno en su posición vertical.

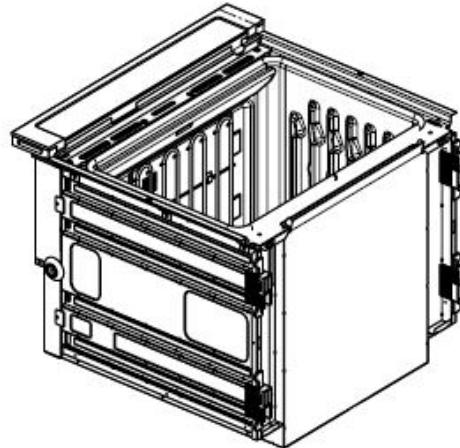


- Vaya a la sección "Hacer conexión eléctrica".

**La altura del recorte es de 28 11/16" y 29 7/16" (de 72,8 cm a 74,8 cm)**

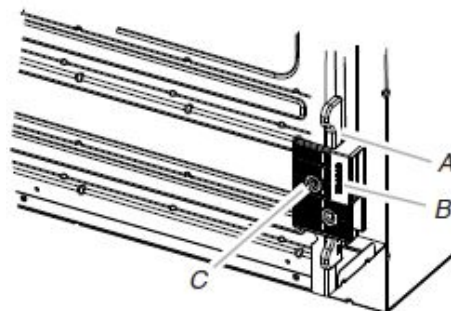
**NOTA:** Se puede solicitar un protector de ventilación inferior alto para reemplazar el protector que vino con la unidad como una estética inferior opcional. El horno funcionará adecuadamente con cualquier protector. Consulte su Guía de inicio rápido para ver el número de servicio a llamar y hacer su solicitud sin costo.

- Con ayuda de 2 o más personas, coloque el horno sobre la parte trasera sobre una superficie cubierta.



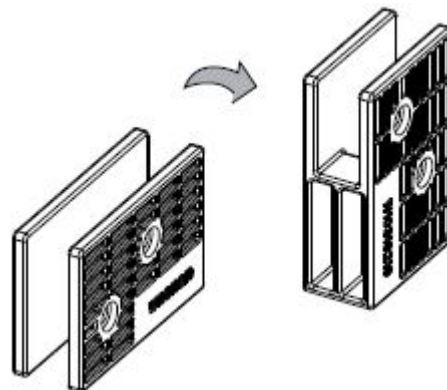
- Para retirar la pata del separador delantero derecho, retire el tornillo n.º 8-18 x 3/8" (9,5 mm).

**NOTA:** No retire el espaciador.



- A. Espaciador
- B. Pata
- C. Tornillo n.º 8-18 x 3/8" (9,5 mm)

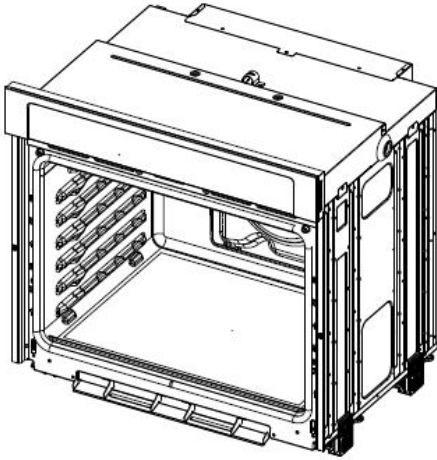
- Gire la pata 90°, de modo que el lado corto de la pata se ubique hacia la parte superior del horno.



- Vuelva a instalar la pata en el separador con el tornillo n.º 8-18 x 3/8" (9,5 mm) que retiró antes.



5. Retire, gire y vuelva a instalar de la misma manera las patas de la parte trasera derecha, delantera izquierda y trasera izquierda del horno.
6. Con la ayuda de 2 o más personas, coloque el horno en su posición vertical.



7. Vaya a la sección "Hacer conexión eléctrica".

### Hornos dobles

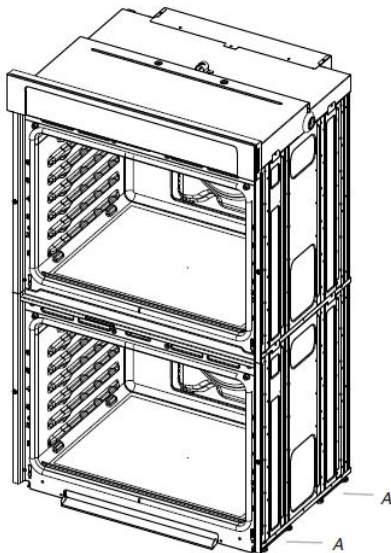
La ubicación de las patas del horno permite instalar un horno doble en una altura de recorte entre  $48 \frac{7}{8}$ " y  $52 \frac{3}{16}$ " (entre 124,1 cm y 132,6 cm). Consulte las instrucciones que siguen para ubicar las patas para el tamaño del corte de su armario.

**La altura del recorte es de  $48 \frac{7}{8}$ " a  $50 \frac{7}{16}$ " (de 124,1 cm a 128,1 cm)**

No es necesario instalar las patas del horno. El horno está configurado correctamente como se recibe.

**NOTA:** No retire los separadores.

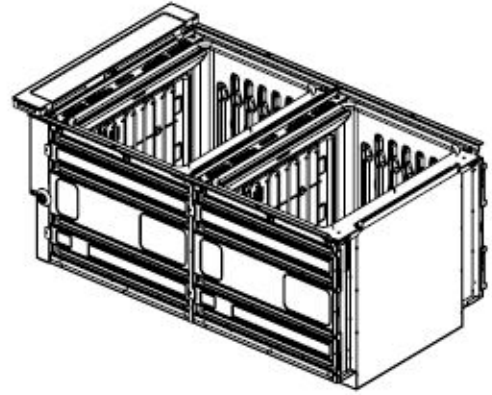
Vaya a la sección "Hacer conexión eléctrica".



A. Separadores

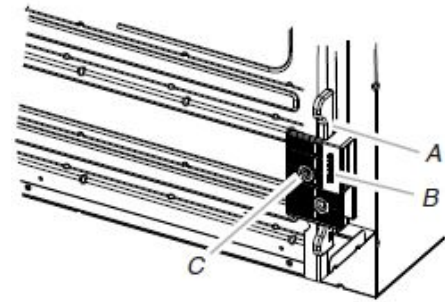
**La altura de recorte es entre  $50 \frac{1}{2}$ " y  $51 \frac{1}{8}$ " (128,2 cm y 129,9 cm) o para instalación alineada**

1. Con ayuda de 2 o más personas, coloque el horno sobre la parte trasera sobre una superficie cubierta.



2. Instale una pata trasera en el separador trasero izquierdo con un tornillo n.º 8-18 x  $\frac{3}{8}$ " (9,5 mm).

**NOTA:** Ubique la pata de modo que el lado largo de la pata esté orientado hacia la parte superior del horno.

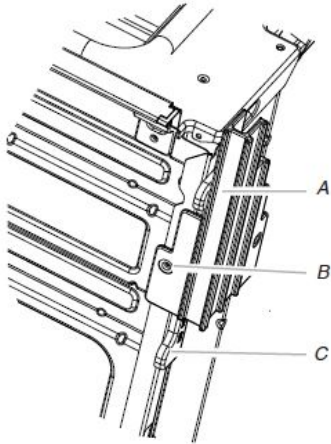


- A. Espaciador
- B. Pata trasera
- C. Tornillo n.º 8-18 x  $\frac{3}{8}$ " (9,5 mm)

3. Instale de la misma manera una pata trasera en la parte trasera derecha del horno.

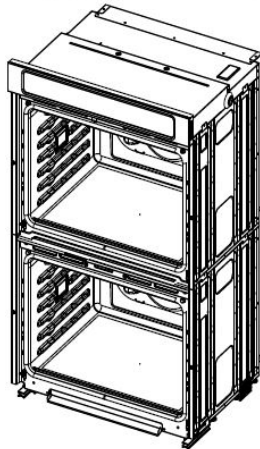
4. Instale una pata delantera en el separador delantero izquierdo con un tornillo n.º 8-18 x 3/8" (9,5 mm).

**NOTA:** Ubique la pata de modo que el lado largo esté orientado hacia el interior del horno.



- A. Pata delantera
- B. Tornillo n.º 8-18 x 3/8" (9,5 mm)
- C. Espaciador

5. Instale de la misma manera una pata delantera en la parte delantera derecha del horno.
6. Con la ayuda de 2 o más personas, coloque el horno en su posición vertical.

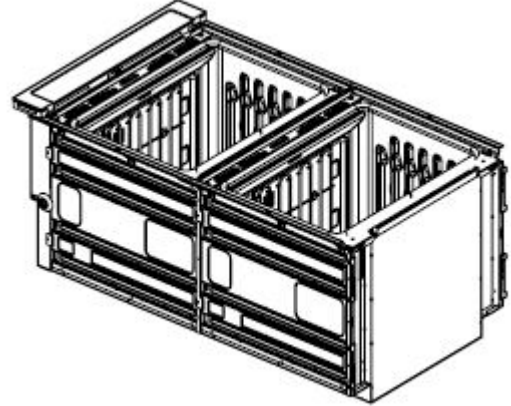


7. Vaya a la sección "Hacer conexión eléctrica".

**La altura del recorte es de 51 3/16" y 52 3/16" (de 130,0 a 132,6 cm)**

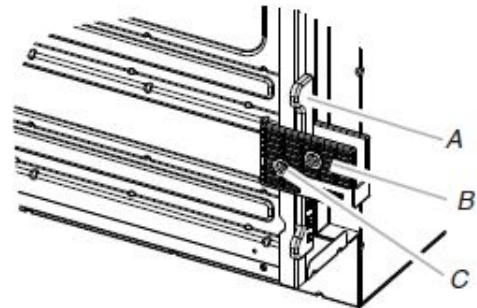
**NOTA:** Se puede solicitar un protector de ventilación inferior alto para reemplazar el protector que vino con la unidad como una estética inferior opcional. El horno funcionará adecuadamente con cualquier protector. Consulte su Guía de inicio rápido para ver el número de servicio a llamar y hacer su solicitud sin costo.

1. Con ayuda de 2 o más personas, coloque el horno sobre la parte trasera sobre una superficie cubierta.



2. Instale una pata trasera en el separador trasero izquierdo con un tornillo n.º 8-18 x 3/8" (9,5 mm).

**NOTA:** Ubique la pata trasera de modo que el lado corto de la pata esté orientado hacia la parte superior del horno.

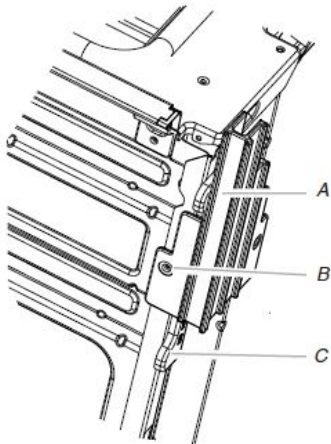


- A. Espaciador
- B. Pata trasera
- C. Tornillo n.º 8-18 x 3/8" (9,5 mm)

3. Instale de la misma manera una pata trasera en la parte trasera derecha del horno.

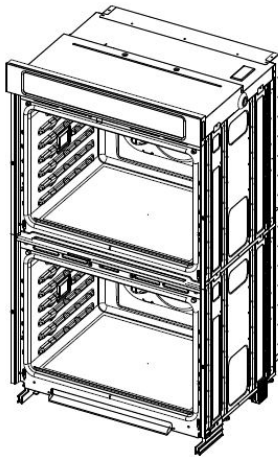
4. Instale una pata delantera en la parte frontal izquierda con un tornillo n.º 8-18 x 3/8" (9,5 mm).

**NOTA:** Ubique la pata de modo que el lado corto de la pata esté orientado hacia la parte superior del horno.



- A. Pata delantera
- B. Tornillo n.º 8-18 x 3/8" (9,5 mm)
- C. Espaciador

5. Instale de la misma manera una pata delantera en la parte delantera derecha del horno.
6. Con la ayuda de 2 o más personas, coloque el horno en su posición vertical.



7. Vaya a la sección "Hacer conexión eléctrica".

## Cómo hacer la conexión eléctrica

### Para hornos simples

#### ⚠ ADVERTENCIA



#### Peligro de choque eléctrico

**Desconecte el suministro eléctrico antes de realizar el servicio.**

**Utilice alambre de cobre de calibre 12.**

**Conecte el horno a tierra.**

**No seguir estas instrucciones puede ocasionar la muerte, un incendio o un choque eléctrico.**

### Para hornos dobles

#### ⚠ ADVERTENCIA



#### Peligro de choque eléctrico

**Desconecte el suministro eléctrico antes de realizar el servicio.**

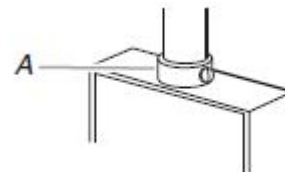
**Utilice alambre de cobre de calibre 8.**

**Conecte el horno a tierra.**

**No seguir estas instrucciones puede ocasionar la muerte, un incendio o un choque eléctrico.**

Este horno se ha fabricado con cable de suministro eléctrico neutro (blanco), y un cable de conexión a tierra verde (o desnudo) conectado a la carcasa, los cuales están enroscados.

1. Desconecte el suministro eléctrico.
2. Pase el conducto flexible del horno a través de la abertura en la carcasa.
3. Quite la cubierta de la caja de empalmes, si está presente.
4. Instale un conector de conducto homologado por UL o aprobado por CSA en la caja de empalmes.

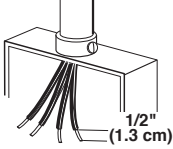
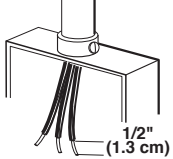


A. Conector de conducto homologado por UL o aprobado por CSA

5. Dirija el conducto flexible del horno a la caja de empalmes, con un conector de conducto que esté en la lista de UL o aprobado por CSA.
6. Apriete los tornillos en el conector de conducto.

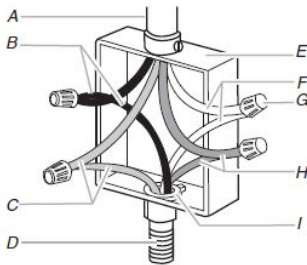
7. Vea el “Cuadro de opciones de conexión eléctrica” para completar la instalación para el tipo de conexión eléctrica.

### Cuadro de opciones de conexión eléctrica

Si la casa tiene:	Vaya a la sección:
4 hilos 	Cable de 4 hilos desde el suministro eléctrico
3 hilos 	Cable de 3 hilos desde el suministro eléctrico

### Cable de 4 hilos desde el suministro eléctrico

**IMPORTANTE:** Use el cable de 4 hilos del suministro eléctrico de la casa en los EE. UU. donde los códigos locales no permitan la puesta a tierra a través del neutro, nuevas instalaciones de circuitos derivados (1996 NEC), casas rodantes y vehículos de recreación, en construcciones nuevas y en Canadá.

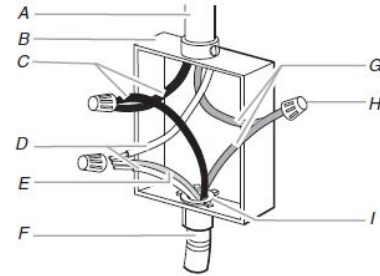


- |  |  |
|--|--|
| A. Cable desde el suministro de energía de la casa | F. Cables blancos  |
| B. Cables negros                                   | G. Conectores para cable homologados por UL                  |
| C. Cables rojos                                    | H. Cables verdes (o desnudos) de puesta a tierra             |
| D. Conducto flexible de 4 hilos del horno          | I. Conector de conducto homologado por UL o aprobado por CSA |
| E. Caja de empalmes                                |  |

1. Conecte los 2 cables negros (B) juntos usando un conector de cables que esté en la lista de UL.
2. Conecte los 2 cables rojos (C) juntos usando un conector de cables que esté en la lista de UL.
3. Desenrosque el cable blanco del cable verde (o desnudo) de puesta a tierra que vienen del horno.
4. Conecte los 2 cables blancos (F) juntos usando un conector de cables que esté en la lista de UL.
5. Conecte el cable verde (o desnudo) de puesta a tierra (H) desde el cable del horno al alambre verde (o desnudo) de puesta a tierra (en la caja de empalmes), usando un empalme plástico que esté en la lista de UL.
6. Instale la cubierta de la caja de empalmes.

### Cable de 3 hilos del suministro de energía de la casa. Solo en EE. UU.

**IMPORTANTE:** Use el cable de 3 hilos del suministro de energía de la casa cuando los códigos locales permitan la conexión de 3 hilos.



- |  |  |
|--|--|
| A. Cable desde el suministro de energía de la casa             | F. Conducto flexible de 4 hilos del horno                    |
| B. Caja de empalmes  | G. Cables rojos  |
| C. Cables negros   | H. Conectores para cable homologados por UL                  |
| D. Cables blancos  | I. Conector de conducto homologado por UL o aprobado por CSA |
| E. Cable verde (o desnudo) de puesta a tierra (desde el horno) |  |

1. Conecte los 2 cables negros (C) juntos usando un conector de cables que esté en la lista de UL.
2. Conecte los 2 cables blancos (D) al alambre verde (o desnudo) de puesta a tierra (del cable del horno), usando un conector de cables que esté en la lista de UL.
3. Conecte los 2 cables rojos (G) juntos usando un conector de cables que esté en la lista de UL.
4. Instale la cubierta de la caja de empalmes.

## Para instalar el horno

1. Con la ayuda de 2 o más personas, levante el horno parcialmente dentro del corte del armario. Use la abertura del horno como una zona para aferrar.

**NOTA:** Empuje contra la zona del sello del marco delantero del horno cuando empuje el horno dentro del armario. No empuje contra los bordes externos.

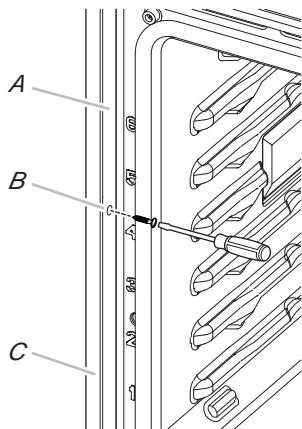


2. Empuje contra la zona del sello del marco delantero para empujar el horno dentro del armario hasta que la superficie trasera del marco delantero toque la pared delantera del armario.



3. Empuje el horno por completo dentro del armario y céntrelo en el corte del armario.
4. Sujete con seguridad el horno al armario con los tornillos n.º 8-14 x 3/4" (1,9 cm) que se proveen.

Inserte los tornillos a través del orificio de la moldura negra alineándolos con el orificio del marco del horno. No apriete demasiado los tornillos.

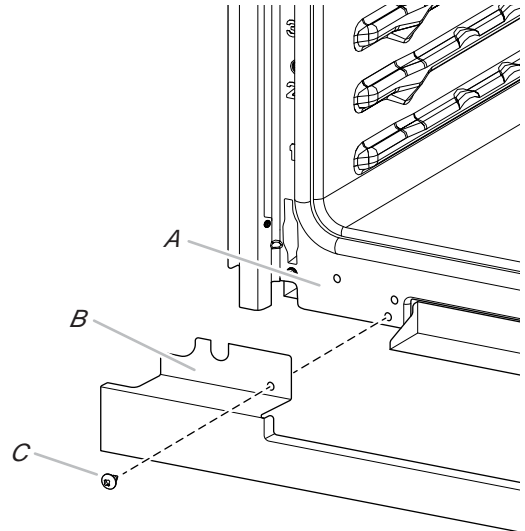


A. Marco del horno  
B. Orificio del moldura lateral  
C. Pieza de moldura lateral

5. La moldura de la ventilación inferior y el protector de ventilación inferior se envían en el empaque de espuma en la parte superior del horno.

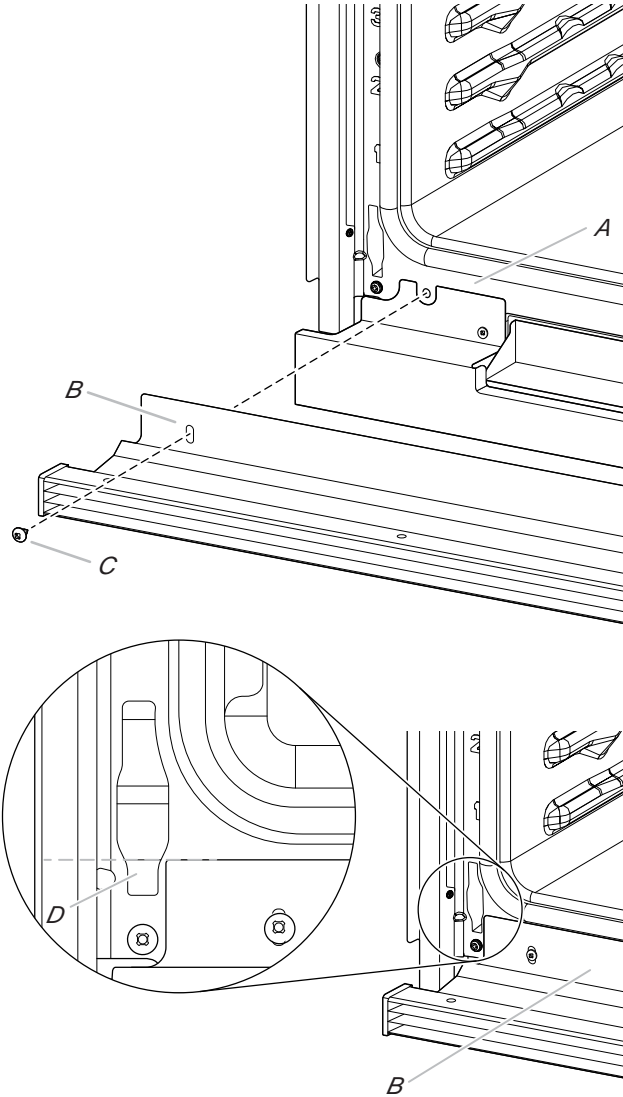
El protector de la ventilación inferior alta se usa cuando el horno se instala con la pata en la posición alta. Comuníquese con servicio para que se le envíen las patas sin costo.

- Alinee la lengüeta del ducto de ventilación (B) con el marco del horno (A) como se muestra.
- Con un tornillo # 8-18 x 3/8" (9,5 mm) (C) en cada lado de la lengüeta del protector (B), fije la ventilación de manera segura al marco del horno (A).



A. Marco del horno  
B. Lengüeta del protector  
C. Tornillos n.º 8-18 x 3/8" (9,5 mm)

6. Después de instalar el protector de ventilación inferior.
- Alinee la lengüeta de la moldura de la ventilación inferior (B) con el marco del horno (A) como se muestra.
  - Con un tornillo n.º 8-18 x 3/8" (9,5 mm) (C) a cada lado de la lengüeta de la moldura (B), alinee la parte superior de la lengüeta de la moldura inferior (B) con el receptor de la bisagra (D) como se muestra.
  - Apriete el moldura de la ventilación inferior firmemente al marco del horno (A).



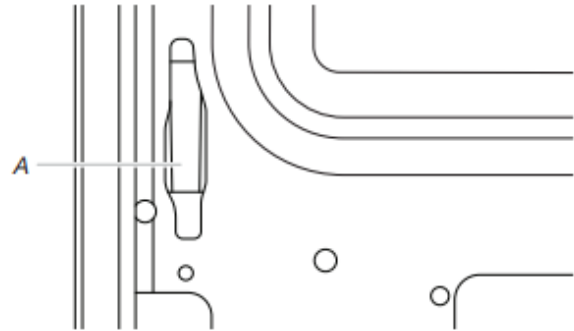
A. Marco del horno  
 B. Lengüeta de la moldura  
 C. Tornillo n.º 8-18 x 3/8" (9,5 mm)  
 D. Receptor de bisagra

7. Vuelva a colocar las parrillas del horno.  
 8. Vuelva a colocar la puerta del horno. Vea la sección "Vuelva a colocar la o las puerta(s) del horno".  
 9. Verifique que la puerta pueda abrirse y cerrarse bien. De lo contrario, repita los procedimientos para retirar y colocar la puerta. Vea la sección "Prepare el horno integrado".  
 10. Repita el procedimiento para la puerta del horno inferior.  
**IMPORTANTE:** Para un funcionamiento correcto del horno, verifique que el espacio entre la parte inferior de la puerta y la moldura de la ventilación inferior sea de al menos 1/4" (6,4 mm).  
 11. Reconecte el suministro eléctrico.  
 12. El panel de visualización se iluminará y se iniciará.

13. Si el panel de la pantalla no se enciende, consulte la Garantía.

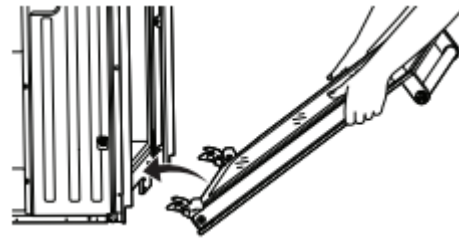
## Vuelva a colocar las puertas del horno

1. Tome la puerta del horno por el punto central de los bordes laterales con las dos manos. Enfrente la cavidad del horno.
2. Ubique las ranuras a cada lado de la cavidad del horno para las trabas de las bisagras de la puerta.

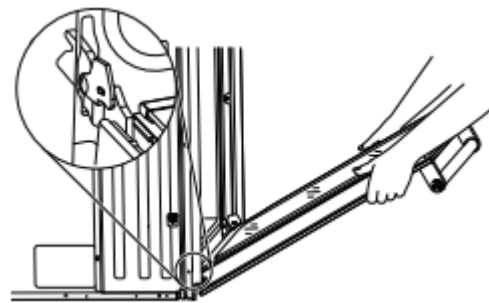


A. Ranura en la cavidad del horno para la traba de bisagra de la puerta

3. Tome la puerta del horno por los bordes con las 2 manos. Inserte las bisagras simultáneamente en un ángulo de 45° y empuje la puerta del horno dentro de la ranura de la cavidad para volver a colocarla. Puede ser necesario mover suavemente la puerta de un lado a otro mientras la empuja.



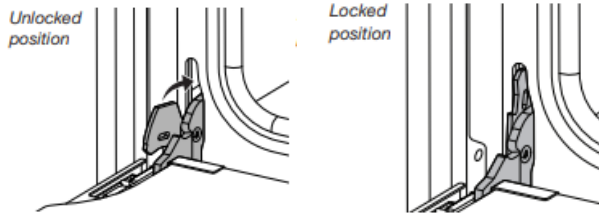
4. Asegúrese de que la muesca de la bisagra de la puerta se enganche en la parte inferior de la ranura de la cavidad del horno.



**IMPORTANTE:** No cierre la puerta en este paso para evitar dañar la bisagra de la puerta.

5. Descienda la puerta del horno hasta la posición completamente abierta. Si la puerta del horno no se abre totalmente a 90°, repita los pasos 1 a 3.

6. Ubique las trabas de las bisagras de la puerta del horno en las esquinas de la puerta y gire las trabas hacia la cavidad del horno hasta la posición trabada.



7. Una vez que las bisagras de la puerta estén trabadas, gire con suavidad la puerta hacia arriba para cerrarla. La puerta no debe forzarse para cerrarla.
8. Cuando las bisagras están correctamente instaladas y la puerta está cerrada, debe haber un espacio uniforme entre la puerta y el panel de control. Si uno de los lados de la puerta del horno está más bajo que el otro, la bisagra de ese lado no está correctamente instalada.

## Finalización de la instalación

1. Verifique que todas las piezas estén ahora instaladas. Si sobra alguna pieza, repase todos los pasos para averiguar cuál omitió.
2. Verifique que tenga todas las herramientas.
3. Deseche o recicle todo el material de empaque.
4. Para limpiar el horno, lea la sección "Mantenimiento y cuidado del horno".

### Verifique el funcionamiento de hornos simples y dobles

1. Encienda el suministro eléctrico.
  2. En el primer uso, configure el idioma, el reloj y cualquier otra preferencia que esté disponible. Para obtener más información, lea la "Guía de control".
  3. Inicie un ciclo de asado.
- NOTA:** Es normal que haya olores y humo cuando el horno se usa las primeras veces.
4. Espere 5 minutos, luego revise para ver si hay calor.

#### Si el o los hornos no funcionan, revise lo siguiente:

- Que el fusible de la casa esté intacto y ajustado, o que no se haya disparado el disyuntor.
  - Que el suministro eléctrico esté conectado.
  - Consulte "Solución de problemas" en línea.
5. Coloque la <sup>TM</sup> parrilla deslizable extensible SatinGlide para los accesorios del horno Smart Oven+ en la posición más baja para parrillas en la unidad para asegurarse de que la parrilla correcta esté en el fondo.
  6. Oprima UPPER CANCEL/LOWER CANCEL (superior cancelar/inferior cancelar) en los hornos dobles, u oprima CANCEL (cancelar) en los hornos sencillos.

#### Si necesita ayuda o servicio técnico:

Consulte la Guía de inicio rápido para ver la información de contacto.

©2022 All rights reserved. Used under license in Canada.

Tous droits réservés. Utilisé sous licence au Canada.

Todos los derechos reservados. Se usa bajo licencia en Canadá.