

PRODUCTOS
Inspirados
EN
DISEÑOS ITALIANOS

DRIJA®

24 MESES
de GARANTÍA
MONTHS WARRANTY

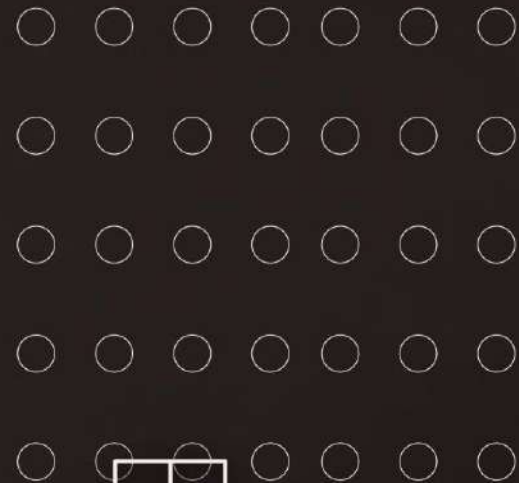
Malbec 7

Vinera con Compresor
Wine Cooler Compressor



**USAMOS
GAS REFRIGERANTE R600A**

WE USE GAS REFRIGERANT R600A
NO DAÑA LA CAPA DE OZONO Y ES AMIGABLE CON EL PLANETA
DOES NOT DAMAGE THE OZONE LAYER AND IS FRIENDLY TO THE PLANET



USER MANUAL

110V / 60Hz

NOTA: Para adquirir accesorios y/o repuestos de este producto, contáctenos al call center (según el número de su país que le indique el certificado de garantía) o a nuestras redes sociales

NOTE: To purchase accessories and / or spare parts for this product, contact us at the call center (depending on the number of your country that indicates the warranty certificate) or our social networks

 www.DrijaInternational.com

! Para conservar la garantía de este producto, es indispensable instalarle

Protector de Voltaje

To preserve the warranty of this product, it is essential to install

Voltage Protector

User manual
WINE COOLER | MALBEC 7



1. INTRODUCTION.....	2
2. PRODUCT SPECIFICATIONS.....	3
3. DESCRIPTION OF THE APPLIANCE	5
4. PRODUCT USE	7
5. CLEANING AND MAINTENANCE	9
6. INSTALLATION.....	9
7. PROBLEM SOLVING.....	13

1. INTRODUCTION

IMPORTANT SAFETY INFORMATION

Your safety is paramount to us. Be sure to read this manual before attempting to install or use the appliance.

IMPORTANT: Any installation work must be performed by a qualified specialist or competent person.

USING THE MACHINE

Your appliance is only designed to be used at home. It is suitable for storing and cooling wine. Food should not be stored in the device. If used for any other purpose or not used properly, DRIJA COMPANY. Not accept any responsibility for any damage caused.

Do not change the specification of the device for safety reasons.

BEFORE USING THE APPLIANCE

Check for transport damage. If you notice any damage, do not connect the appliance to your mains supply and should contact your dealer.

REFRIGERANTE

- Your appliance contains R134a refrigerant, so care must be taken:
- During transport and installation of the apparatus, ensure that the cooling pipe is not damaged.
- If damaged, ignition sources and open flames should be avoided. Also the room where the appliance is located must be well ventilated.
- Do not place anything on top of the appliance, as it may damage the top board.

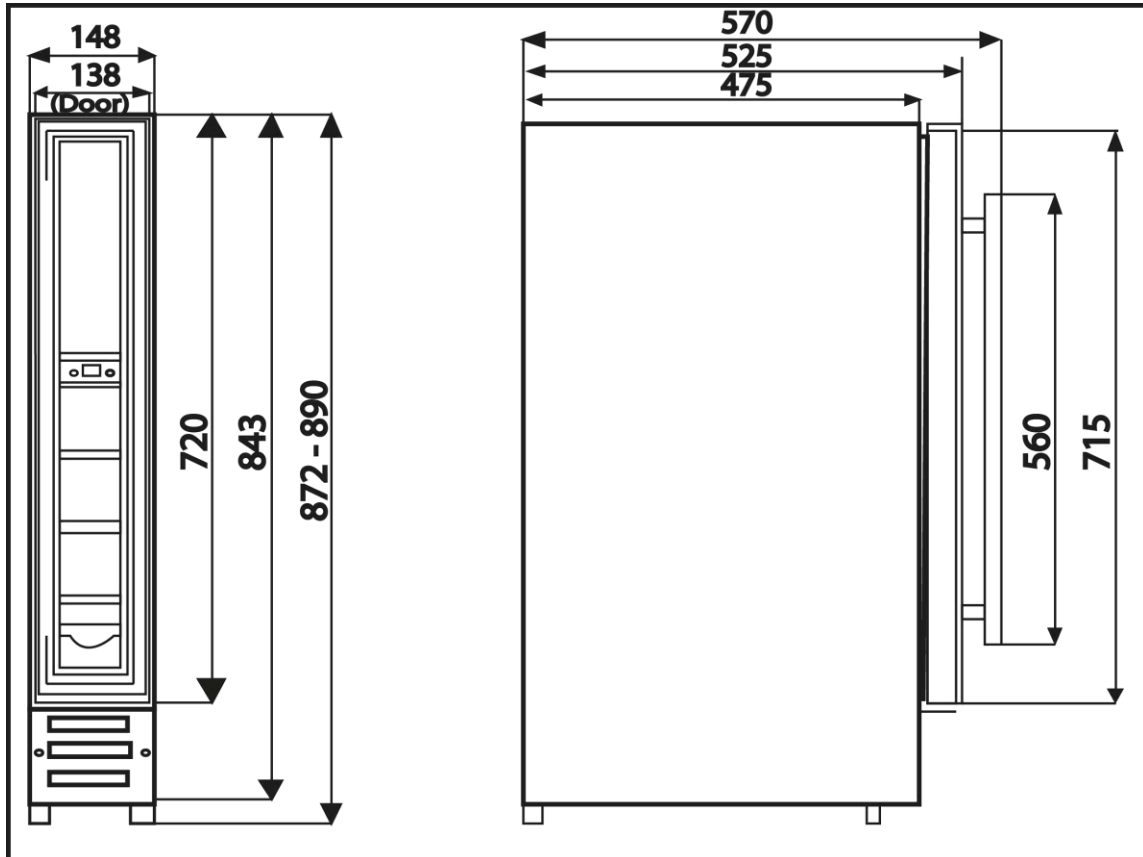
CHILD SAFETY

- Packing material should be kept away from children.
- Do not allow children to touch the controls or play with the appliances.

SERVICES

Do not attempt to repair the appliance yourself, as this may cause injury or more serious bad performance. If you need a service call, contact the customer service department of DRIJA COMPANY.

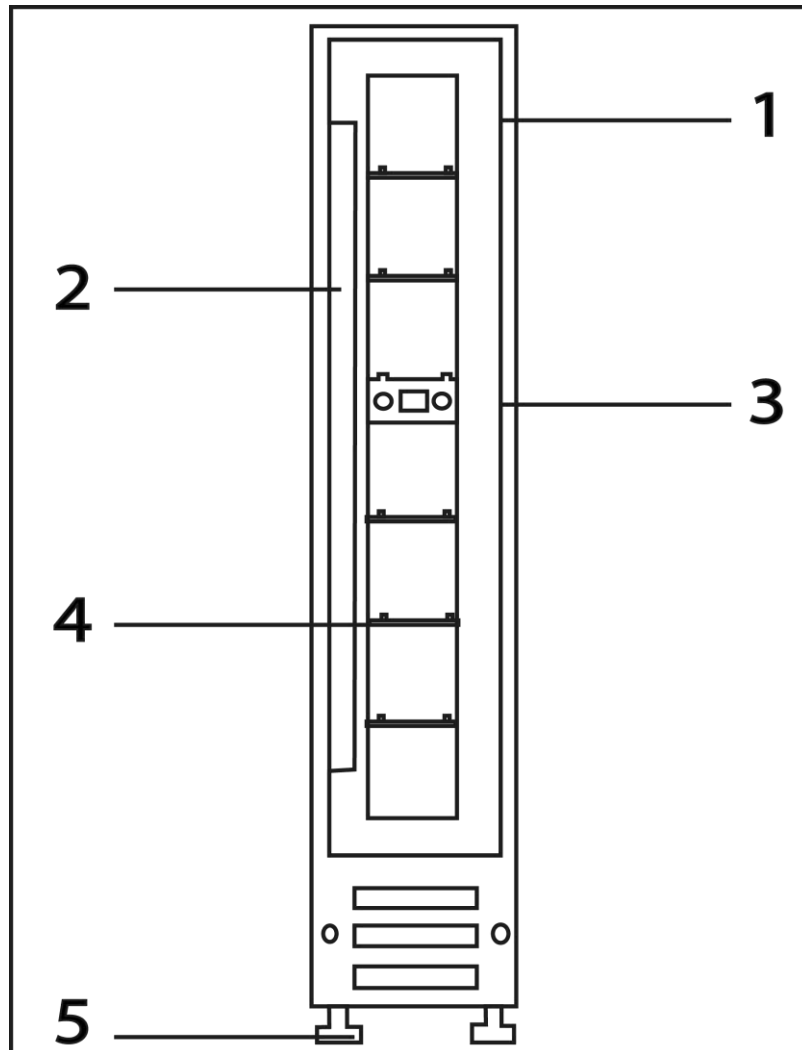
2. PRODUCT SPECIFICATIONS



DIMENSIONS OF THE APPLIANCE		DIMENSIONS OF THE OPENING	
High:	872-890mm	High:	875mm (min)
Width:	148mm	Width:	155mm (min)
Depth:	525mm	Depth:	570mm (min)

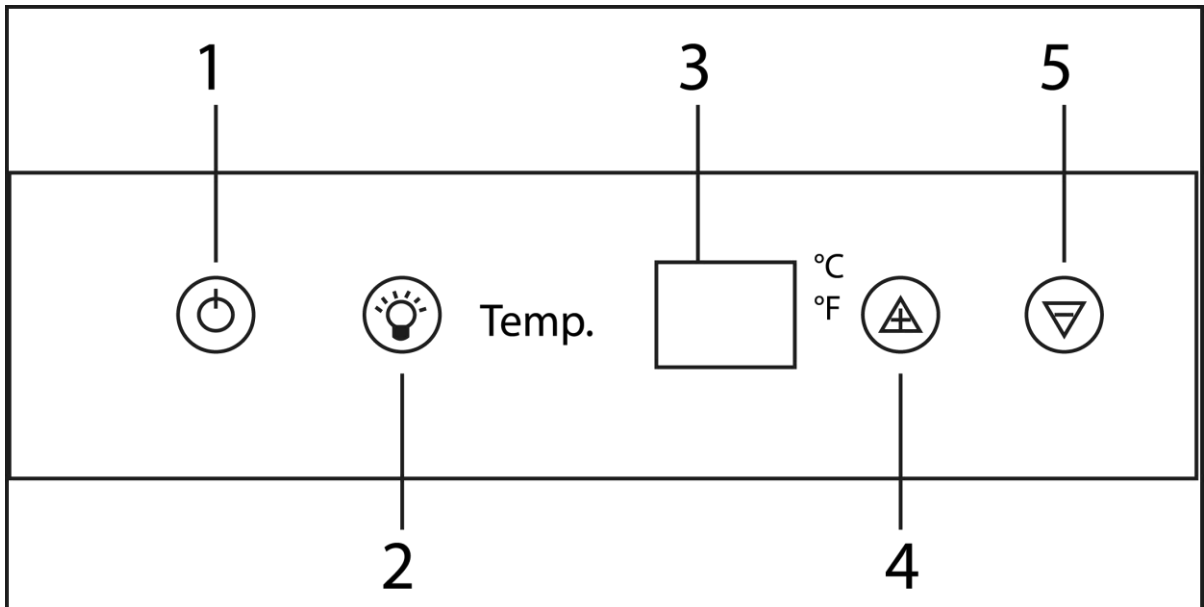
- Gross capacity: 22litros
- Bottle capacity: 7 bottles of 0.75 liters Bordeaux style
- Energy efficiency class: B
- Noise level: 39 dB
- Electronic control operation push button
- Led screen
- 6 adjustable wooden shelves
- adjustable temperature
- Interior light
- Water drainage
- Exterior black
- reversible door
- adjustable feet
- Tempered glass door
- Frame and door handle stainless steel
- Designed to store wine at its optimum temperature between 5 ° C and 22 ° C.

3. DESCRIPTION OF THE APPLIANCE



1	Door steel inoxidable
2	Stainless Steel Handle
3	Digital Control Panel
4	Adjustable shelves
5	Adjustable legs

CONTROL PANEL



1. Control button ON /
2. Button light control
3. Temperature display
4. Temperature button
5. Button temperature less

DESCRIPTION OF PRODUCT CHARACTERISTICS

CONTROL PANEL

- The control panel is located in the center of the device, behind the glass door. This means that it is easy to adjust the temperature of the device and see that the device temperature is adjusted.

A cooling zone

- There is an area of confrontation inside your wine cabinet.
- The cooling zone has a temperature control and temperature display.

INTERIOR LIGHT

- The cooling zone has an interior light. The light can be turned on and off with the control button light (2)

SHELVE SING

- Wooden shelves are fully adjustable to accommodate different shapes and sizes of bottles of wine.
- To avoid damaging the door, make sure the door is fully open when removing the magazine racks rail.
- For easy access to stored bottles, pull the shelves about 1/3 of the way.

4. PRODUCT USE

BEFORE TURNING

- Make sure it has been installed by a qualified person, according to the information contained in the installation instructions DRIJA COMPANY.
- After delivery, wait for eight hours before connecting the apparatus to the mains. This will allow the refrigerant gases that may have been altered during the transportation process to settle.
- Outside the apparatus and removable accessories contained therein should be cleaned with a liquid detergent and water.
- The interior of the device should be cleaned with a solution of sodium bicarbonate dissolved in warm water. The interior and accessories should be thoroughly dried, after the cleaning process has been completed.
- There may be odor when you turn the device first. It will be reduced as the device starts to cool.

IMPORTANT:

- **CURRENT 110V-120V**
- **Have a voltage protector.**

DURING THE FIRST USE

IMPORTANT:

When using the apparatus for the first time or reset after having been off for a long period of time the apparatus, there may be a difference of a few degrees between the selected

temperatures and displayed on the LED. This is normal and due to the length of activation time. Once the appliance has been running for a few hours everything will return to normal.

- When you turn the apparatus for the first time, the compressor will run continuously until the temperature reaches cold enough.
- During this period, you should try to not open the door frequently or bottles placed inside the device.
- If the unit is disconnected, you must leave at least 5 minutes before restarting the appliance or reconnecting to the network.

APPARATUS AND ADJUST ON TEMPERATURE

- To switch on, press the ON / OFF button (1) for 5 seconds.
- The set temperature in the apparatus is adjustable in the range of 5 ° C - 22 ° C / 40 ° F - 72 ° F.
- When press temperature more (4) or less (5) for the first time, the LED will display the factory default of 12 ° C / 54 ° F adjustment.
- Use the temperature more (4) and minus (5) to adjust the desired temperature.
- The temperature increase 1 ° C or 1 ° F pressing the plus (4) once and decrease by the same amount by pressing the minus button (5) once.
- When a new temperature setting, the display will show the above temperature for 5 seconds before showing the actual temperature. During this time, the cabinet temperature will be adjusted accordingly.
- To see the set temperature, press the button (4) or less (5). The display will flash the temperature for 5 seconds.
- Fresh cabinet falls and warmer air rises, so there will be a slight variation in temperature between the cabinet top and the bottom.

IMPORTANT: When the temperature is changed, the compressor works harder to reach the required temperature. During this time, the side panels of the cabinet can reach up to 45 ° C, but will cool when they reach the set temperature.

CHANGING A CELSIUS FAHRENHEUT

- You can select whether the temperature display shows Celsius or Fahrenheit.
- To change the temperature display, press the plus button (4) for 5 seconds.

- You cannot change the screen if you are in the process of adjusting the temperature.

CHARGING APPARATUS

IMPORTANT: Your appliance is ideal for storing wine bottles of 0.75 liters Bordeaux style. While the cabinet can store larger bottles, you should make sure that they do not prevent the door from closing properly.

5. CLEANING AND MAINTENANCE

WARNING: PLEASE ENSURE THAT YOUR APPLIANCE is disconnected from your mains supply before attempting to clean

- Do not use any water pouring or spraying on.
- The interior of the case should be cleaned periodically, using a solution of Sosa and warm water.
- Clean the accessories separately with soap and water. Do not clean in a dishwasher.
- Do not use abrasive products, detergents or soaps.
- After washing the device, clean the area ah cleaned with a damp cloth and dry thoroughly.

THAWED

- The frosting des occurs automatically inside the cabinet during operation. Defrost water is collected by the evaporating tray and evaporates automatically.
- The evaporating tray and the drain hole defrost water must be cleaned regularly. This prevents water from accumulating on the bottom, instead of flowing through the channel drain des frosting and the drain hole.
- You must ensure that the bottles do not touch the back of the appliance, as this may interrupt the automatic defrosting and divert water to the base of the cabinet.

6. INSTALLATION

IMPORTANT: Before installation and use read all instructions and make sure that the voltage (V) and frequency (Hz) indicated on the rating plate are exactly the same as the voltage and frequency in your home. The plate is located on the front edge of the interior of the case.



The manufacturer declines all responsibility if the installer does not comply with all applicable accident prevention regulations, which are necessary for normal use and normal operation of the electrical system.

POSITIONING

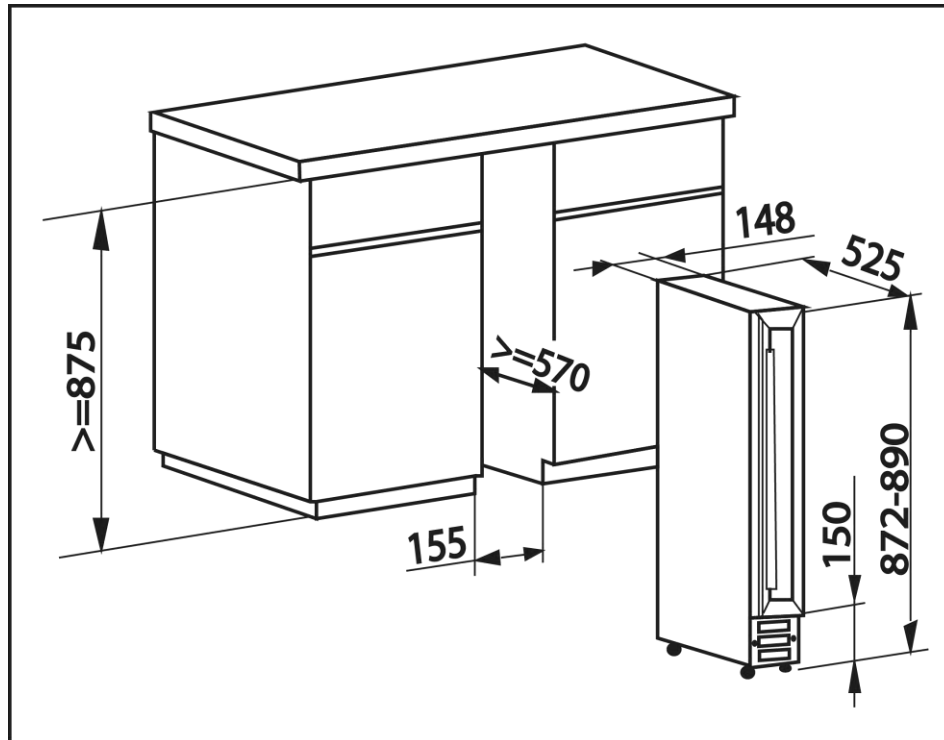
It is advisable that your appliance is only installed in a location where the ambient room temperature corresponds to the climate classification indicated on the rating plate of your appliance. Your appliance may not work properly if the ambient temperature falls outside these ranges.

climatic classification	Appropriate temperature environment
SN	+10 to +32 Degrees Celsius
N	+16 to +32 Degrees Celsius
SN	+18 to +38 Degrees Celsius
T	+18 to +43 Degrees Celsius

- Positioning requires two persons to prevent injury or damage to the device.
- Your appliance should not be placed in direct sunlight or expose a continuous heat or extremes of temperature (eg next to a radiator or boiler). If this is not possible, to install an insulating plate between the apparatus and the adjacent heat source.
- You should check for an available electrical outlet, which will be accessible after the appliance is installed.
- Place the device flat and firmly on a solid base. The apparatus with adjustable on the front, to be used to level the appliance legs.
- Be sure to leave enough room to open the door, to avoid damage to the unit or personal injury.

IMPORTANT: Ventilation in the base unit is for ventilation. Do not place anything in front of this vent; otherwise your wine cabinet cannot function properly.

INSTALLATION FLUSH



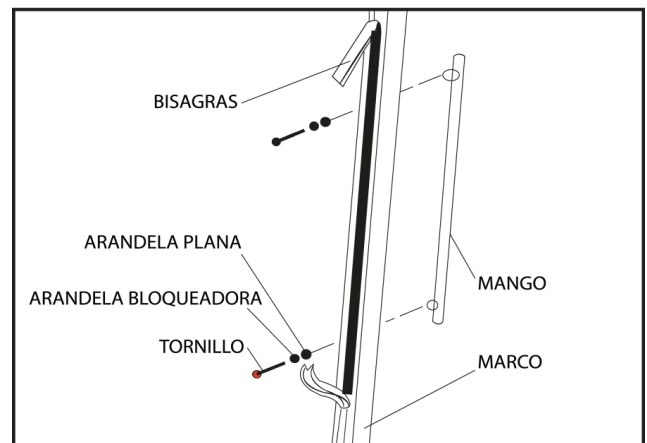
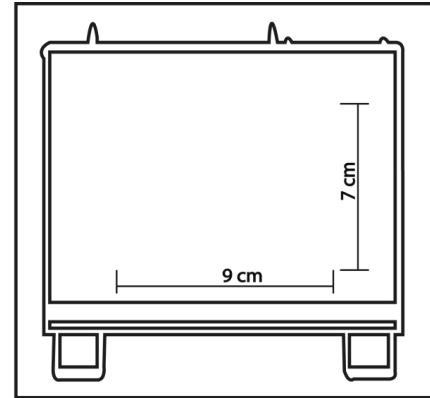
- Wine cabinet can be used as a standalone or built into the unit. Clearances shown in the drawing above should be followed for both types of installation.
- In particular, the dimension of depth should be observed.
- A decorative base can be installed on the front of the aerating base, as long as the section shown in the diagram below is in the socket. This cut is required if the vent is removed or not.
- Remove the door gasket on the side where you want to install the handle. You can see two holes designated for installing the handle.
- Install the handle firmly as shown in the diagram above with screws, washers and flat washers provided.
- Replace the door gasket.

INVEST YOUR DOOR CABINET

This device has the ability to open the door from the right or left side.

Any part removes the appliance when the door reverses should be stored for later use.

- Open the glass door and remove the screws beneath the lower right of the glass door, which are used to secure the lower right hinge shaft assembly to the door corner.
- Take care to support the glass door with both hands to avoid dropping it after removing the screws.
- Pull down to remove the glass door and place it on a padded surface to prevent scratching.
- Remove top right hinge and the lower right hinge.
- Take the left upper hinge and the lower left hinge plastic bag containing this manual and then install them in the designated positions on the left side of the cabinet.
- Turn the glass door about 180 ° and reinstall.



IMPORTANT: Check that the door opens and closes properly, without fouling, after completing the investment process of the door.

After the door has been reversed, you should check the door seal wine cabinet. The seal should not be wrinkled or crushed; otherwise there will be a gap between it and the inside of the door.

IMPORTANT: WHEN THE DOOR HAS BOOKED THE APPLICANT, IF YOU HAVE PLACED THE APPLIANCE ON YOUR BACK, YOU MUST WAIT FOR 8 HOURS BEFORE SWITCHING THE APPLIANCE.



7. PROBLEM SOLVING

PROBLEM	POSSIBLE CAUSE
Wine cooler does not work.	Not plugged. The breakers were fired or fuse is blown.
Wine cooler temperature inside is very warm.	<p>Temperature control is set to warm level. Change the schedule to maximum cold and wait a few hours until the temperature stabilizes.</p> <p>The door open or frequently much time remains. Warm air enters every time they open the door. Open it as little as possible.</p> <p style="text-align: center;">The door is not closed completely.</p> <p style="text-align: center;">The seal of the door does not close properly.</p> <p style="text-align: center;">The wine cooler was recently disconnected for a period of time.</p> <p style="text-align: center;">The wine cooler requires 4 hours to cool completely.</p>
Wine cooler temperature inside is very cold.	Temperature control is very cold programming. Set it at a suitable temperature and wait a few hours to stabilize.
vibes	<p style="text-align: center;">Verify that the wine cooler is on a level surface.</p> <p>The wine cooler is touching the wall. Wine cooler again level the wall and move it.</p> <p style="text-align: center;">If vibration continues, turn off and disconnect wine cooler. Contact the Service Center.</p>
Moisture forms on the inner walls of the wine cooler.	<p>The door is slightly open.</p> <p>Door remains open for a long time or frequently. Open it as little as possible.</p> <p style="text-align: center;">The door is not sealing properly.</p>
Moisture forms on the outside of the apparatus.	The door is slightly open, causing cold air inside the wine cooler contact with the moist air outside.
The door will not close properly.	The wine cooler is not on level surface. The door seal is dirty.