



# DRIJA®

Lujo e Innovación

24 MESES de GARANTÍA  
MONTHS WARRANTY

## Slim Touch 60

Extractor de Grasa  
Range Hood



# USER MANUAL

110-120 V / 60Hz

NOTA: Para adquirir accesorios y/o repuestos de este producto, contáctenos al call center (según el número de su país que le indique el certificado de garantía) o a nuestras redes sociales

NOTE: To purchase accessories and / or spare parts for this product, contact us at the call center (depending on the number of your country that indicates the warranty certificate) or our social networks

[www.DrijaCompany.com](http://www.DrijaCompany.com) Drija Company @DrijaCompany\_LA @Drija\_Company

! Para conservar la garantía de este producto, es recomendable instalarlo a no menos de **30"=75 cm** de la estufa

To preserve the warranty of this product, it is advisable to install it at not less than **30"= 75 cm** from the stove.

**User Manual**  
RANGE HOOD | SLIM TOUCH 60  
**DRIJA**

1. RECOMMENDATIONS AND SUGGESTIONS.....	3
2. CHARACTERISTICS.....	5
3. INSTALLATION AND USE .....	7
4. INSTALLATION FOR FIXING ON THE WALL.....	6
5. MOUNTING INSTALLATION IN THE CABINET.....	7
6. INSTALLATION IN RECIRCULATION VERSION FIXED TO THE WALL .....	88
7. INSTALLATION OF ASSEMBLY WITH RECIRCULATION IN THE CABINET.....	11
8. MAINTENANCE.....	13

# 1. RECOMMENDATIONS AND SUGGESTIONS

## INSTALLATION

- The manufacturer has not been held responsible for damage caused by improper or improper installation.
- Please read this instruction manual before installing and using the extractor. It is important that this manual be kept in a safe place for future reference.
  - This extractor can be used in duct mode (smoke ducts to the outside) or in recirculation mode (internal recycling). To use this choice, you must place the option you prefer EXHAUST OR INNER inside the aluminum filters.
- Only a qualified and trained technician can perform the installation work.
- Check that the red voltage corresponds to that indicated on the plate inside the extractor.
- Do not connect the extractor to the combustion fume exhaust vents (boilers, chimneys, etc.)
- If the extractor is used together with non-electrical appliances (eg gas appliances), a sufficient ventilation system must be ensured in place to prevent backflow of the exhaust gases. The kitchen must have a direct opening in the open air in order to guarantee the entry of clean air.
- The minimum installation distance must be within **30 " = 75 cm** If the installation manual for the gas cooker specifies a distance greater than that suggested, it must be taken into account.
- The extractor must be installed on a plate with four anchoring points.

**NOTICE:** Considering the weight of the extractor, it is recommended that two or more people be needed to install or move. Otherwise, it can cause physical injuries.

## USE:

- The extractor has been designed only for domestic use, to eliminate fumes from the kitchen.
- Never use the extractor for fines other than those that have been designed.
- When the extractor is operating, it should not be exposed to high flames below.
- Adjust the intensity of the flame by which it goes to the bottom of the pots, making sure that the flame does not come out over the edge of the pot.
- When frying, the intensity of the flame must be continuously controlled: very hot oil can burst into flames.
- The extractor should not be used by children or people who do not know its correct use.

## **MAINTENANCE**

- Proper maintenance of the extractor ensures its correct operation.
- Unplug the appliance from the mains before carrying out any maintenance work.
- Clean and / or replace activated carbon filters after a specific time.
- Clean the extractor with a damp cloth and then dry completely.
- Once the product is clean, we recommend applying mineral oil or baby oil to the steel, with a clean dry towel.
- Use recommended cleaners for this type of material, we recommend the following; WD-40.
- Do not use abrasive products, as it can damage the surface finishes.
- For glass cleaning we suggest applying alcohol (with great caution) with a clean dry towel.

## **ELIMINATION:**

- Do not dispose of this product in household waste. A special garbage collection is necessary for your treatment.

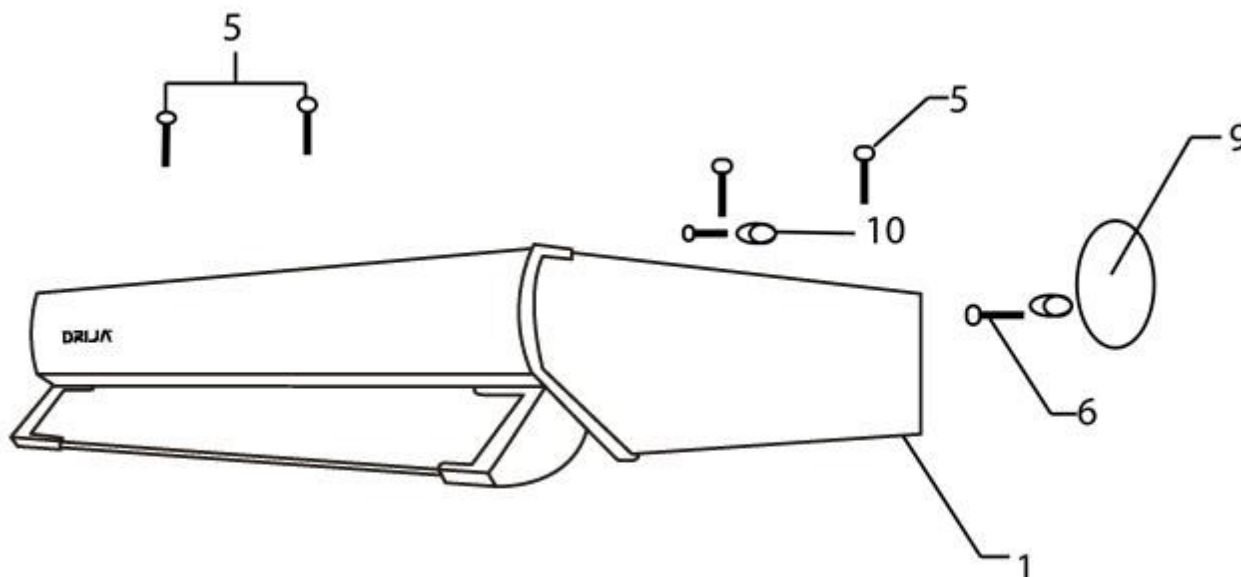
## **WARNING:**

In certain circumstances, household appliances can be a hazard.

- The condition of the filters has not been verified while the extractor is running.
- Do not touch the light bulbs after being prepared (it is hot).
- Do not disconnect the appliance with wet hands.
- Avoid intense flames, as it is detrimental to filters and a fire hazard.
- Constantly check the frying food so that the oil does not overheat a lot, it can become a fire hazard.
- Disconnect the electrical plug before any maintenance.
- Do not use this product outdoors.
- This device is not intended for use by persons with physical, sensory or mental disabilities, or lack of experience and knowledge unless it has been supervised or instructed on the use of the device by a person responsible for its safety. Children should be supervised to ensure they do not play with the device.
- It must have adequate ventilation at the place of operation of the extractor when it is used with other gas appliances or other fuels.

- There is a risk of fire, if cleaning is not carried out according to the instructions in the manual.
- Do not flame under the extractor.
- The air outlet of the extractor must not be connected to the same smoke outlet duct of the devices that use gaseous fuels or other fuels.

## 2. CHARACTERISTICS








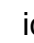
## COMPONENTS

REFERENCE	QUANTITIES	COMPONENTS OF THE PRODUCT
1	1 PIECE	BODY OF EXTRACTOR EQUIPPED WITH: CONTROLS, LIGHTS, BLOWERS, FILTERS.
5	4 PIECES	MOUNTING SCREWS (SUPERIOR ST 3.5x16)
6	2 PIECES	MOUNTING SCREWS (LOWER ST 5x40)
9	1 PIECE	AIR OUTLET COVER
10	4 PIECES	RAMPLUS

### ***Soft touch control***



After connecting the power cable, the LCD shows the time.

1. When the chimney bell is in standby state, touch the key  and the bell rings, the indicator light will turn off after two seconds, the LCD shows the first gear and the engine will run at low speed. Each time you press this  button, the LCD will work with the "low, medium, high" graph in the sequence  cycle and the engine will accelerate. After reaching the high level, when you press the button, the speed does not change.
2. When the chimney campaign is in standby mode, touch the key  and the bell rings, the indicator light will turn off after two seconds. The LCD will reduce a graph and the engine will run at low speed. Each time you press this  button, the LCD shows the "medium, low, stop" graphic, when it shows the stop  icon, the engine stops running, then presses the button, the speed does not change.

3. Time key:

Press the key button for three seconds to set the clock for the time, the time icon will flash, then touch the minus key, reduce one hour, press and hold the key to continuously reduce. Touch the plus key, it will increase by one hour, press and hold to increase continuously. Touch the time / timing button when setting the clock position, switch to the minute setting position and the LCD will show the minute position. Touch the minus key, it will reduce one minute, press and hold to continuously reduce. Pressing the plus key will increase one minute, press and hold to increase continuously. When setting the minute position, press the time / sync button to confirm the current setting to exit the clock setting status. Clock setting range: "00:00 to 23:59". (It does not matter if you touch the or button, the indicator light will come on for 1 second, pressing continuously will keep the illumination. When the chimney bell is in standby state, touch the time key and the buzzer sounds, the indicator light and The LCD time will flash the last 5 minutes, at this

time, touch to add a minute, touch to reduce a minute, setting the range from 1 to 60 minutes, after flashing for 5 seconds, enter the countdown status closed, and the indicator changes from flashing to on. After the countdown, the buzzer will activate for 3 seconds and then close all functions

4. Light button: press the light button, the buzzer will sound, the light will turn on. Press again, the light will go out

### 3. INSTALLATION AND USE

**Note 1:** Carefully remove the plastic protective film from all exterior surfaces of the extractor and chimney before final installation.

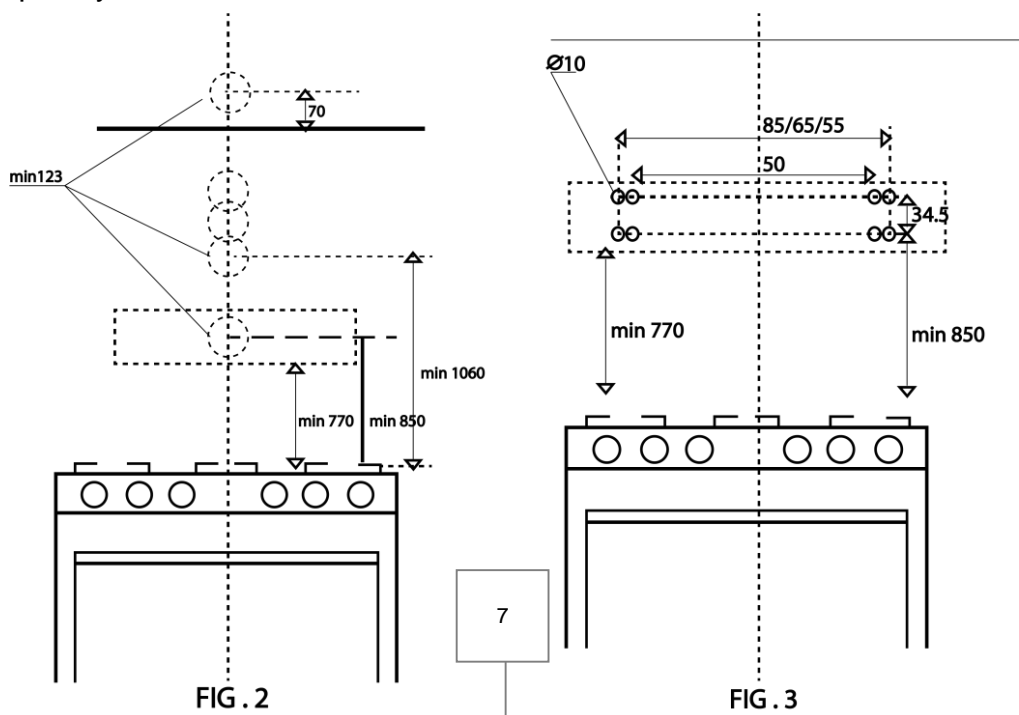
**Note 2:** At least two people are required to assemble the extractor.

**Note 3: IMPORTANT:** respect the distance between the tables of the kitchen burners and the bottom of the extractor (with respect to the stove must be 30" = 75cm).

**Note 3: IMPORTANT:** have a voltage protector.

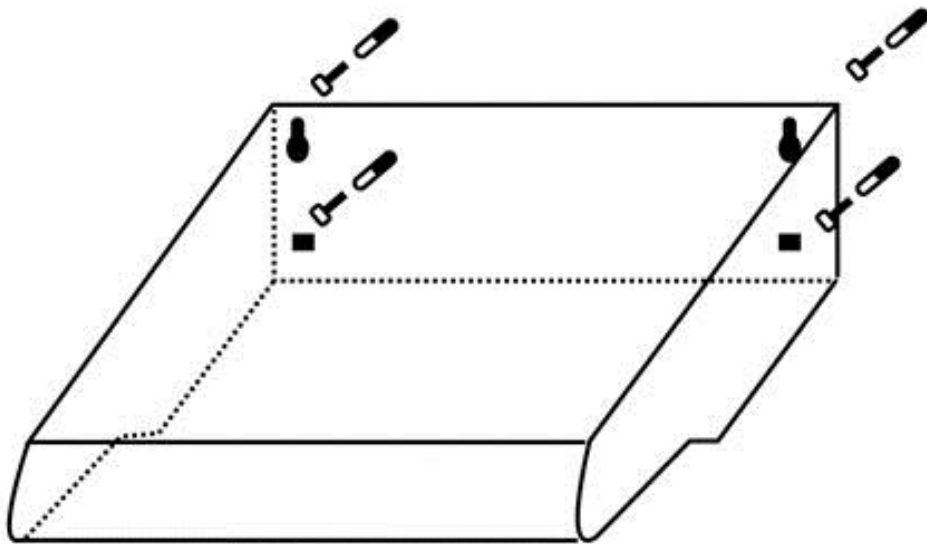
### 4. INSTALLATION FOR FIXING ON THE WALL

1. As shown (Figure 2). Drill a hole of 133 mm diameter in the wall, in any case, check the position of the socket and observe if the cable of the appliance arrives.
2. Mark two points for the holes in the wall, respecting the distances indicated in (Figure 3). Make two 10 mm diameter holes in the wall and place two ram plus (10).
3. Take the screws (6) and insert into the ram plus (10) then tighten the screws completely.



## 5. MOUNTING INSTALLATION IN THE CABINET

1. As shown (Fig. 5), drill a hole 133 mm in diameter in the cabinet check the position of the socket and consider whether the appliance's power cord reaches the outlet.
2. Mark 4 points for the holes in the cabinet, respecting the distances indicated (Fig. 6), drill 4 holes of 6 mm in diameter in the cabinet.
3. Push the extractor against the cabinet and insert the 4 screws (5) that operate from the inside of the cabinet. Tighten the screws completely.

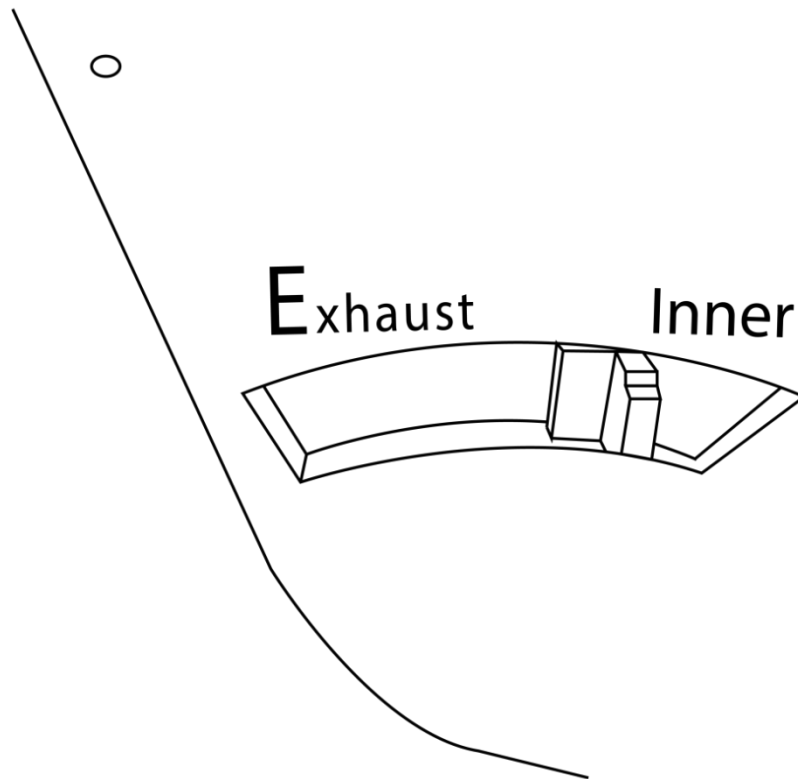




## 6. INSTALLATION IN RECIRCULATION VERSION FIXED TO THE WALL

**IMPORTANT:** The carbon filter must be installed in the extractor in the filter version. The two outlet points of the extractor must be blocked with the air outlet covers (9).

**IMPORTANT:** Set the selector to "Inner" internal mode for recirculation.



1. Mark two points for the holes in the wall, respecting the indicated distances (fig.3). Make two 10 mm diameter holes in the wall and place two ramplus (10).
2. Take the screws (6) and insert into the ramplus (10) then tighten the screws completely.

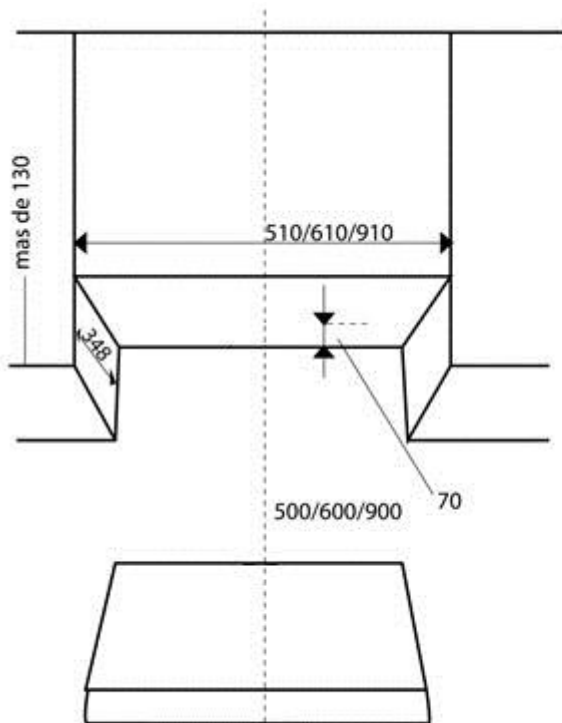


FIG . 5

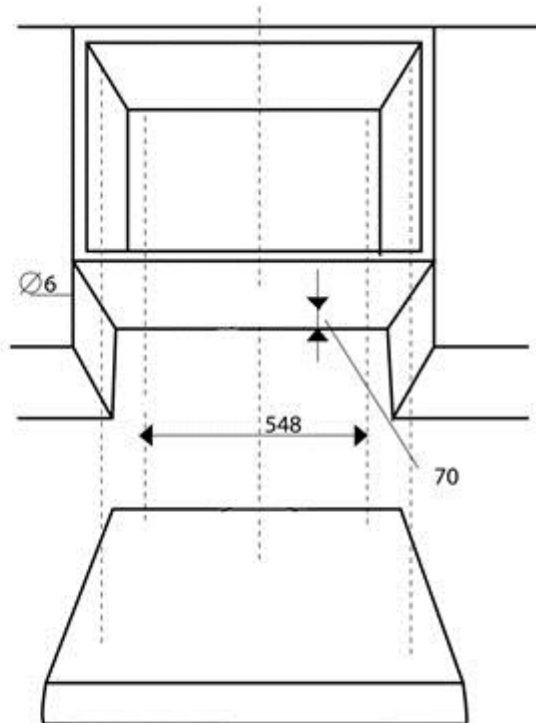


FIG . 6

## 7. INSTALLATION OF ASSEMBLY WITH RECIRCULATION IN THE CABINET

**IMPORTANT:** The carbon filter must be installed in the extractors of the filter version. The two exit points of the extractor must be blocked with the air outlet covers (9).

1. Mark 4 points for the holes in the cabinet, respecting the indicated distances (fig.6). Drill 4 holes of 6 mm diameter in the cabinet.
2. Push the extractor against the cabinet and insert the 4 screws (5) that operate from inside the cabinet. Tighten the screws completely.
3. The long runs of tubes, elbows, prevent the proper operation of the extractor. Use as few of them as possible. For larger ducts, longer tubes can be used for better performance.

### RECIRCULATION MODE

Caution do not use rigid metal or plastic.

1. Install the charcoal filter on.
2. Note that air flows out from the grid of the front of the body.

### ELECTRIC CONNECTION

The electrical installation must be carried out by a qualified person in accordance with all codes and standards.

- If the power cord is damaged, it must be replaced by the manufacturer or its service agent or qualified personnel in order to avoid dangerous situations.
- Do not use the plug and / or extension cord other than those initially connected to the extractor.

Soft touch control (See figure).



1. When connected to power, the clock will show 12:00 (24h), and the kitchen extractor goes to standby mode.
2. When the "illumination" button is pressed, it will turn on the right and left lights, when pressed again both lights will turn off. (Note: the lighting button is independent, and is not subject to the control of any other button, except that of the power supply).
3. "Intensity" button has 3 positions: Fast, Medium, Slow.Encender/apagar.
  - Turn on, turn off. Press the power button, it will light along with the digital screen. Press the slow button (the display will show the letter "L"), the light and motor will start to work slowly. Then press the slow button and both the light and digital display will go off, the motor cancels all previously given instructions.
  - On the basis of slow press the "Medium" button, the LCD screen dials "M", which is the medium intensity motor.
  - On the medium basis press the "Fast" button, the LCD screen dials "H", which is the Fast Intensity motor.
4. . Use of the "Clock" button.
  - When the engine is working in the intensive mode, press the clock button and it will appear in the clock register screen for a countdown from 01:00 minutes.
5. Use of the "24h" clock system.
  - The clock is set by the manufacturer to "12:00". When the extractor is disconnected from power the clock automatically returns to 12:00, so it must be re-programmed by the consumer.
  - When the extractor is in standby mode (Note: it is not necessary to press the power supply button) if you press the "Clock" button it will turn on the clock indicator and the display will show "12:00" flashing.

(Note: For minutes, the highest number is 59; larger numbers are not valid). Press "Clock" button to recognize it. When the backlight and the light indicator turn off, the hours and minutes have already been adjusted.

## 8. MAINTENANCE

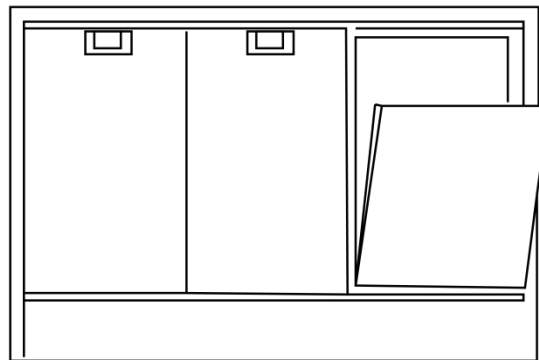
### FAT FILTER

There are two types of grills chosen by the customer, one is the aluminum grid and the other is the metal grid. Grease filters should be cleaned frequently (every two months of operation, or more frequently when the use is extreme). Use a detergent solution to clean them.

The aluminum filters should be cleaned every 15 days with neutral soap, to give more life to the carbon filters.

### FILTERS ARE WASHABLE

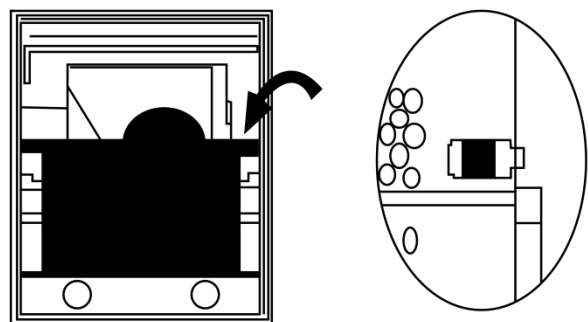
1. Remove the grease filter, one by one removed from each closure. This can be removed from the extractor by tilting the filter down.



2. Wash the filters, taking care not to bend them. The filters should be dry before putting them back on.

3. When installing the filters, make sure the handle is visible from the outside.

4. To install the grease filter, align the rear filter tabs with the exhaust slots. Remove the seal, push the filter into position and release it. Make sure that the filter is firmly attached after assembly.



### **RECIRCULATION OF AIR WITHOUT CONDUITS USING CARBON FILTER**

This filter is not washable, can not be recovered, and should be replaced approximately every 3 months of operation or in less time in the case of heavy use.

1. To install the carbon filter, close and stop until you hear "click".

2. Install the grease filter after the carbon filter is installed.

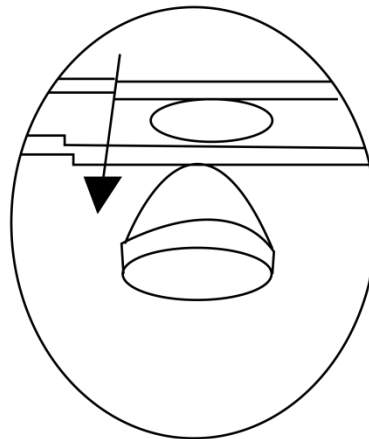
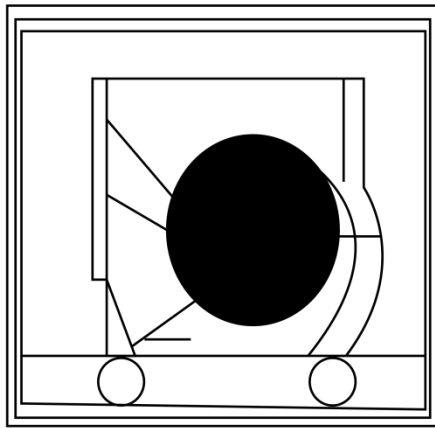
### **NORMAL BULBS**

This type of extractor may require two bulbs or normal bulbs (2W)

**WARNING:** Always turn off the power supply before performing any installation on the appliance.

To change the lamps

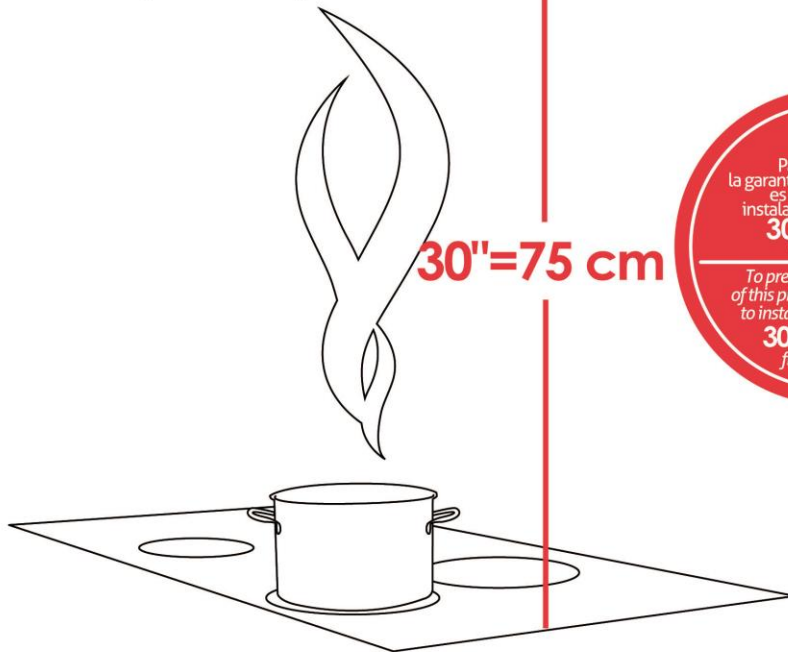
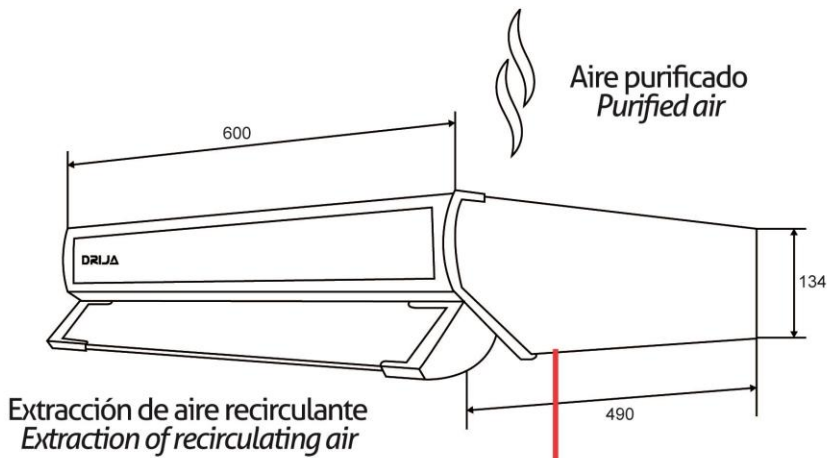
1. Remove the metal or aluminum grid.
2. Turn the bulb switch off (by hand).
3. Replace the normal 110V bulb. 2W maximum. Do not touch the replacement bulb with your bare hands.



# DRIJA® Slim Touch 60

Extractor de Grasa / Range Hood

**Lujo e Innovación**



Para conservar la garantía de este producto, es recomendable instalarlo a no menos de **30"=75 cm** de la estufa

To preserve the warranty of this product, it is advisable to install it at not less than **30"=75 cm** from the stove.

**12** MESES de GARANTÍA  
MONTHS WARRANTY

