



DRIJA®

24 MESES de GARANTÍA
MONTHS WARRANTY

WE GIVEAWAY
IN ALL OUR RANGE HOOD

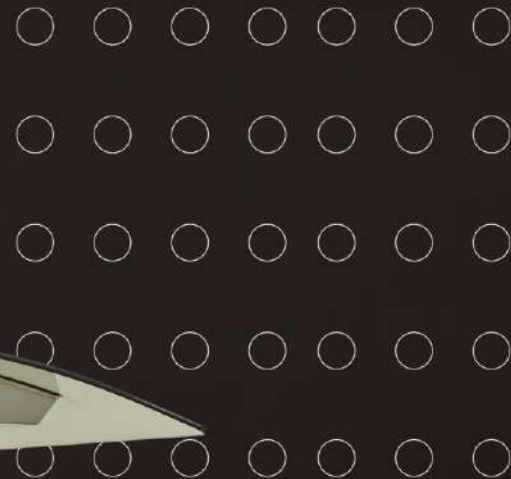
OBSEQUIAMOS
EN TODOS NUESTROS EXTRACTORES DE GRASA

Prisma Isla 90

Extractor de Grasa
Range Hood



2 Filtros de Carbón Activo
2 Active Carbon Filters



Extractores de Grasa
Range Hood

USER MANUAL

110-120 V / 60Hz

NOTA: Para adquirir accesorios y/o repuestos de este producto, contáctenos al call center (según el número de su país que le indique el certificado de garantía) o a nuestras redes sociales

NOTE: To purchase accessories and / or spare parts for this product, contact us at the call center (depending on the number of your country that indicates the warranty certificate) or our social networks

www.DrijaInternational.com

!

Para conservar la garantía de este producto, es indispensable instalarlo a no menos de **35"=90 cm** de la estufa

To preserve the warranty of this product, it is essential to install it at not less than **35"=90 cm** from the stove.

User Manual
RANGE HOOD | PRISMA ISLA 90
DRIJA®

1.	SAFETY NOTIFICATIONS	3
2.	INSTRUCTION FOR THE SWITCH.....	4
3.	INSTALLATION SKETCH.....	5
4.	CIRCUIT DIAGRAM.....	7
5.	TROUBLE SHOOTING.....	8
6.	CLEANING MAINTENANCE	8

1. SAFETY NOTIFICATIONS

Please read these notifications carefully and act upon them, to ensure the user's personal safety and prevent damage to your belongings.

- Don't use this use this item for any other purpose than a household hood.

(Risk of fire and damage)

- Don't use this item if the power cord or plug are damaged, and make sure the socket you use is in good repair. (Risk of electric shock and fire)
- Don't lift the appliance by holding just the power cord; do not yank out the plug by pulling on the power cord.

(Risk of electric shock and fire)

- Please use an earthed 220V-240V outlet.

(Risk of damage and electric shock)

- Make sure not to overload the outlet.

(Risk of excessive heat and fire)

- Do not touch the plug with wet hands. Clean the plug if is moist or dusty.

(Risk of electric shock)

- Do not let children use the hood

(Risk of personal injury)

- Do not close the hood too much when cooking.

(Risk of damage)

- Don't take down the filters when cooking.

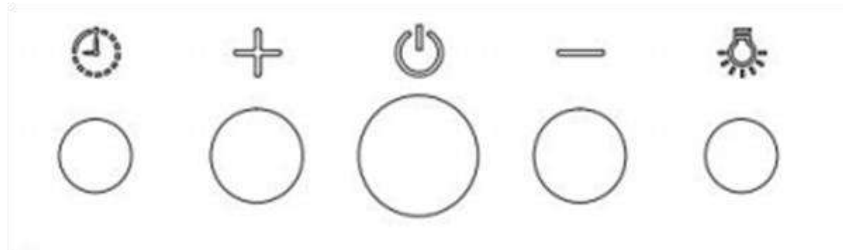
(Risk of damage)


- Please wear the gloves when installing the hood.


(Risk of personal injury)


2.0 Only have the manufacturers personnel dismantle service or modify the hood.


2. INSTRUCTION FOR THE SWITCH




 On / Off button: Press this button, the buzzer sounds and the halo indicator light is blue, indicating that the chimney campaign is in standby. Press again, all states are off.

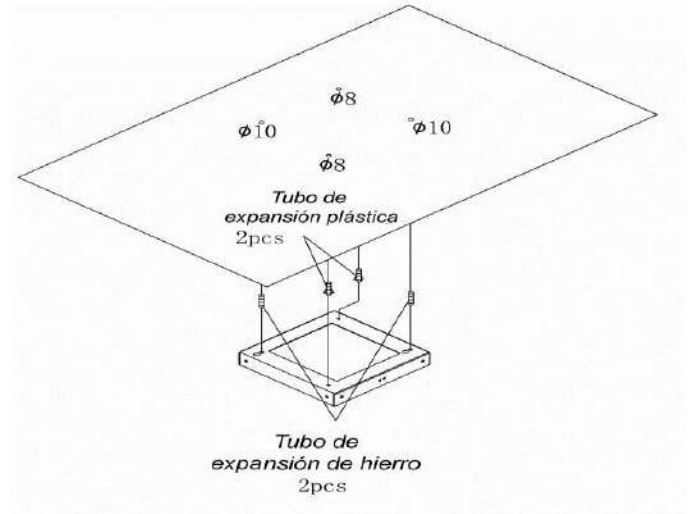
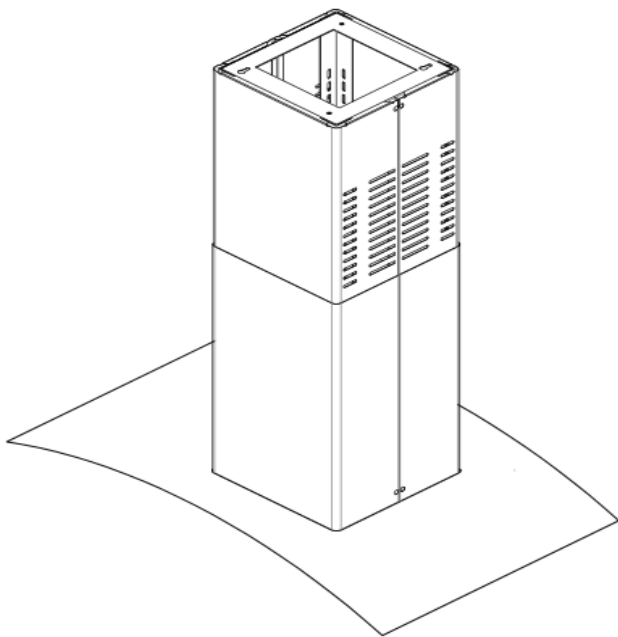
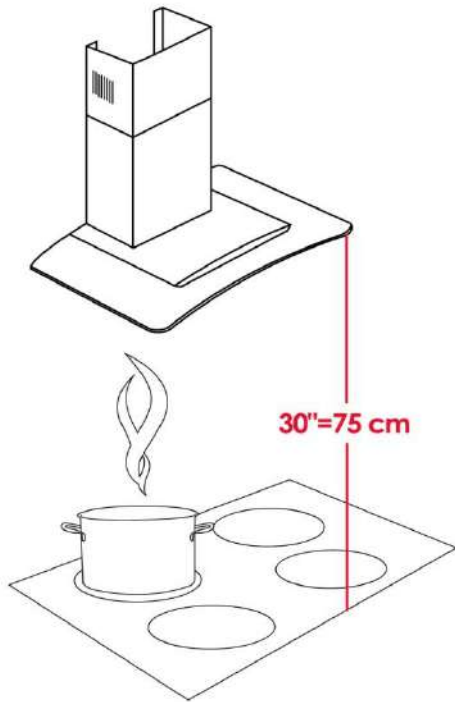
 When the chimney bell is in standby state, press this key, then the bell rings and the halo indicator light is blue, the engine runs at low speed. Each time you press this button, the speed has been "low, medium, high, stop" in the sequence cycle.

 When the chimney bell is in standby mode, press the key, then the bell rings and the halo indicator light is blue, the engine runs at high speed. Each time you press this button, the speed has been "high, medium, low, stop" in the sequence cycle

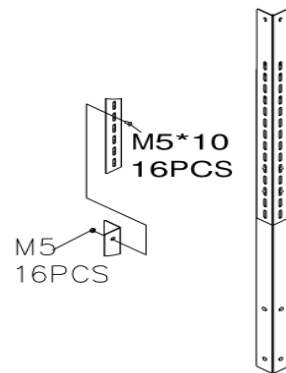
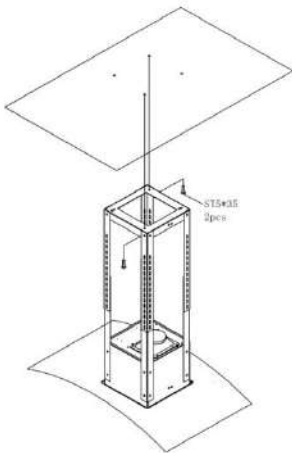
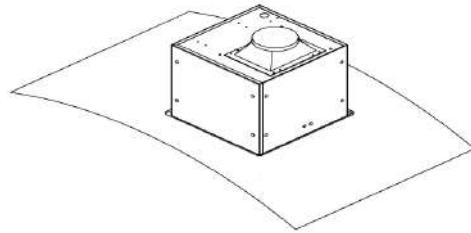
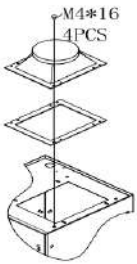
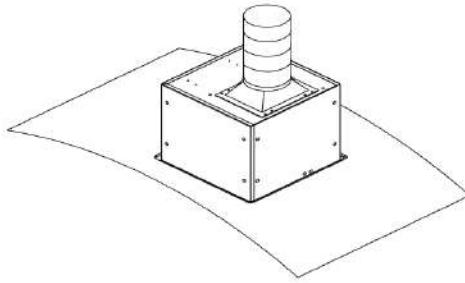
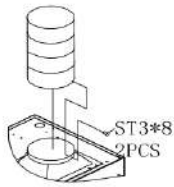
 Time key: When the chimney campaign is in standby mode, press the activation key, the buzzer sounds and the halo indicator light is blue, indicating that the campaign enters the off state, after three minutes, the whole state off.

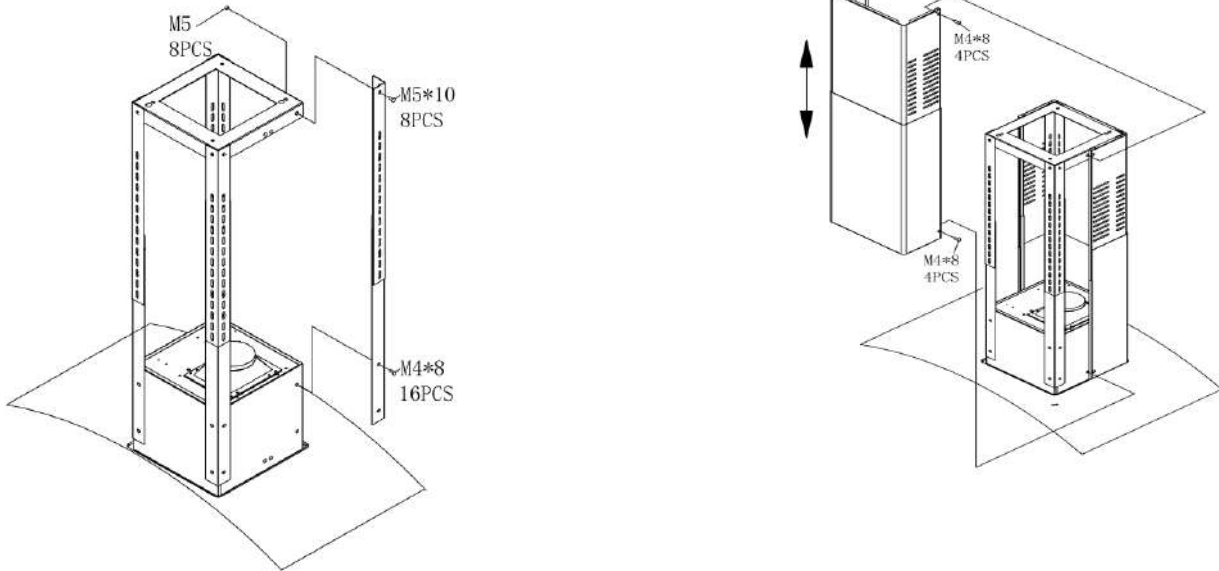
 Light button: Press the light button, the bell rings and the halo indicator light is blue, the light will come on, press it again, the light will go out.

3. INSTALLATION SKETCH

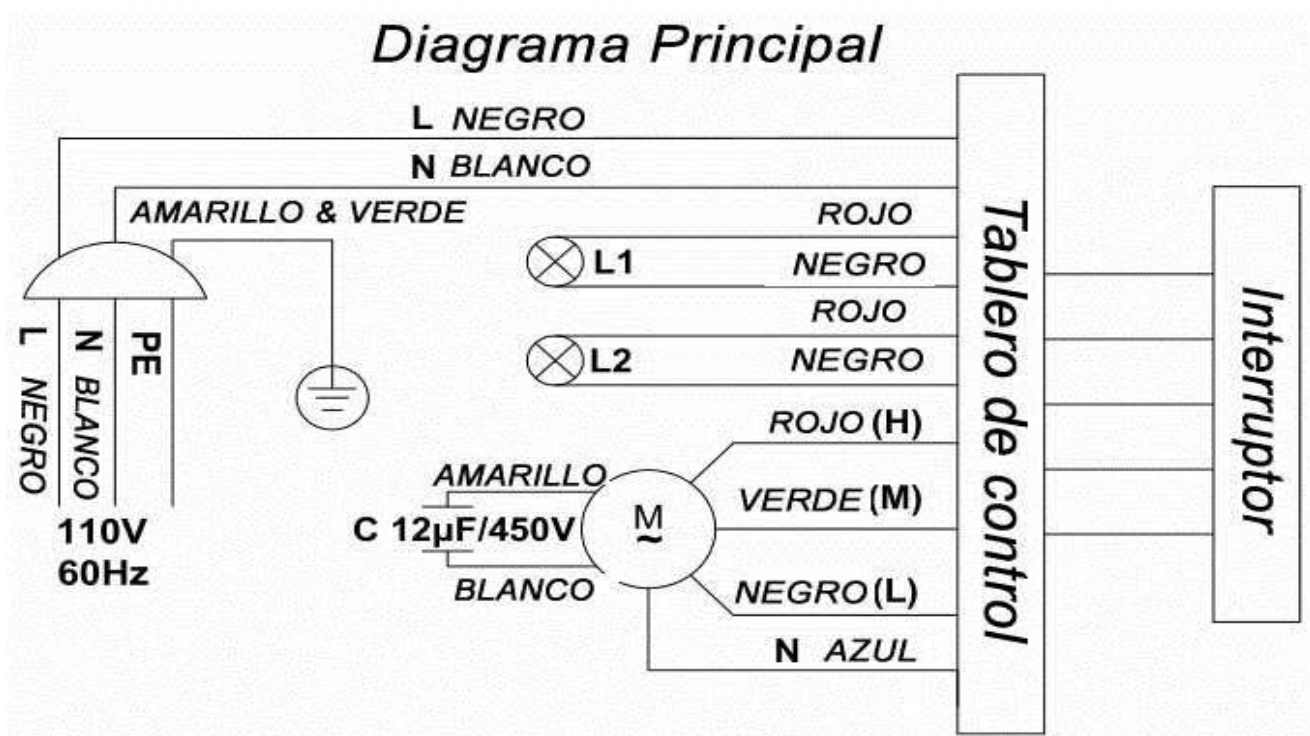


User Manual
RANGE HOOD | PRISMA ISLA 90
DRIJA®





4. CIRCUIT DIAGRAM



5. TROUBLE SHOOTING

PROBLEM	CAUSE	SOLUTION
the machine and the light do not work after you've pressed the function key	<ol style="list-style-type: none"> 1 not plugged in properly 2 The lamps are damaged 3 The wire and/or the cable disconnected 4 The transformer for the lights is damaged 	<ol style="list-style-type: none"> 1 Check the plug and insert completely 2 Change the lamps 3 Contact the distributor and/or service office 4 Contact the distributor and/or service office
Lights work and the motor don't work	<ol style="list-style-type: none"> 1 The impeller is stopped 2 The capacitor is disconnected and/or damaged 3 The motor is damaged. 	<ol style="list-style-type: none"> 1 Check and remove the blockage 2 Contact the distributor and/or service office 3 Contact the distributor and/or service office
Shaking	<ol style="list-style-type: none"> 1 The item was not correctly hung 2 The motor is too loose 3 A damaged impeller causes imbalance 	<ol style="list-style-type: none"> 1 Hang the item stably 2 Fasten the motor 3 Contact the distributor and/or service office
Only one of two keys for the motor work	<ol style="list-style-type: none"> 1 The switch is broken 2 Bad connection with the control board 	<ol style="list-style-type: none"> 1 Contact the distributor and/or service office 2 Contact the distributor and/or service office
Insufficient suction	<ol style="list-style-type: none"> 1 The vents on the outlet cover not open completely 2 There is too much airflow around the machine 3 The oil filter is too dirty 4 The wire and/or cable damaged 	<ol style="list-style-type: none"> 1 Lower the machine, check the vents and loosen them. 2 Close any open windows 3 Clean it 4 Have a mechanic fix it

6. CLEANING AND MAINTENANCE

Never use metal abrasive pads, abrasive cleaners, or very stiff brushes.

To clean the lightweight cover, use only a household cleaner diluted with water, then rinse with clean water and wipe dry with a soft cloth.

Once the product is clean, it is recommended to apply mineral oil or baby oil to the steel with a clean, dry towel. For the cleaning of the glasses, we suggest to apply alcohol (with great caution) with a dry and clean towel

ESSENTIAL: Clean these filters every month to avoid any risk of fire. The filter collects greasy smoke and dust and is an element that plays an important role in the flammable when saturated with fatty residues. Clean it with a commercial household cleaner, then rinse thoroughly and dry. This cleaning can be done in your dishwasher with the filter upright (do not allow it to come in contact with dirty dishes and pans)

Before using the cartridge filter for the first time, remove the protective film.

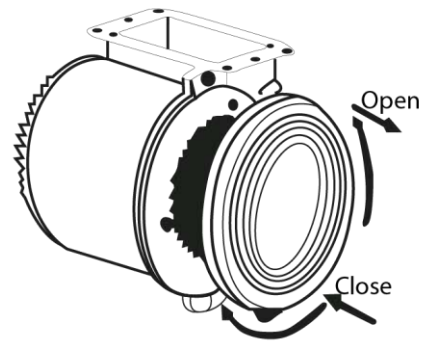
To remove the filter from the cartridge



1. Push back.
2. Turn the filter down with one hand after cleaning, replace the filter, performing the same operations in reverse order
3. **ANNUAL CLEANING:** Activated charcoal filter Applies only to manifold installed as units of recirculation (not ventilated to the outside). This filter will catch the odor and should be changed at least once a year depending on how much it is underneath. Order these filters from your dealer (using the nameplate reference number inside the extractor) and keep a note of the date it was changed.

WARNING:

1. Disconnect the extractor before performing any service.
2. Remove the filters.
3. Insert the new carbon filter into the fan extractor
4. On the inner surface, then rotate directly.
5. Repeat the same operation for all cassette filters
6. Re-attach the filters.

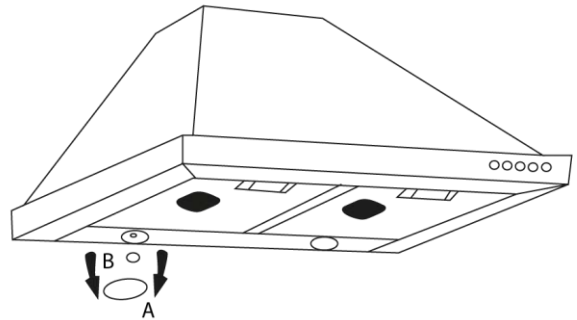


CHANGING THE LIGHT BULBS

Disconnect the extractor by unplugging it or shutting it off before performing any maintenance

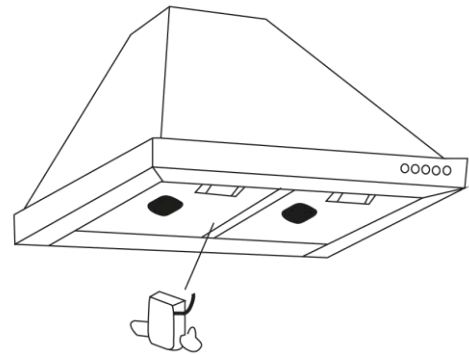
MODEL WITH LED LIGHT

1. Remove the chrome edges "A" by turning them anticlockwise.
2. Replace type 2W LED by unscrewing
3. Replace the assembly by performing the operations in reverse order.



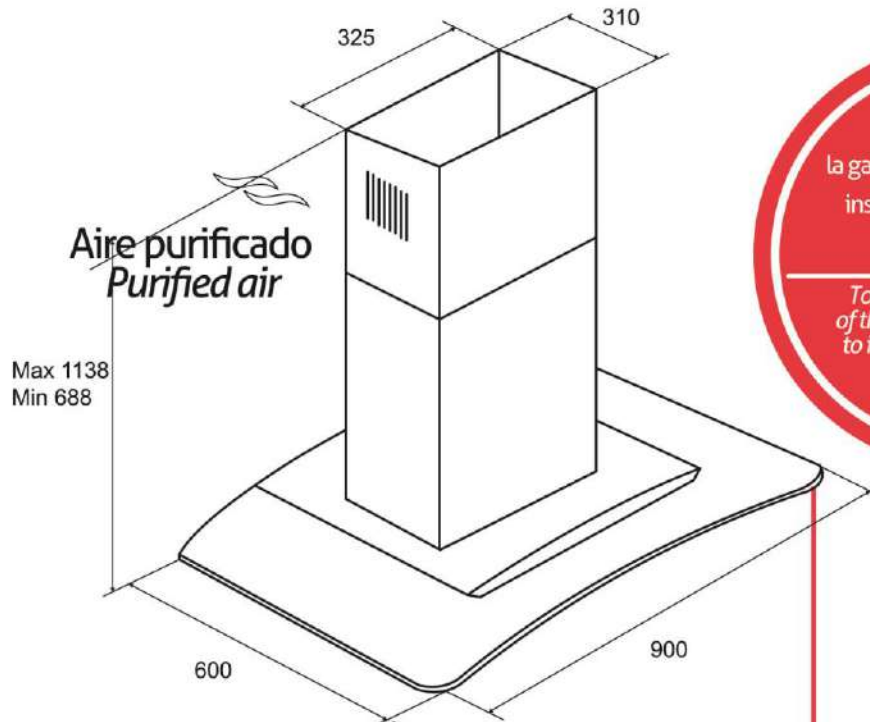
MODEL USING BULB LIGHTS OR NEON TUBE

1. Unscrew the screw securing the light cover.
2. Tilt back.
3. The type of bulb you use is 2W LED, replace the bulb, unscrew, and screw the new bulb (see diagram).
4. Replace the light cover; screw the light cover back on.



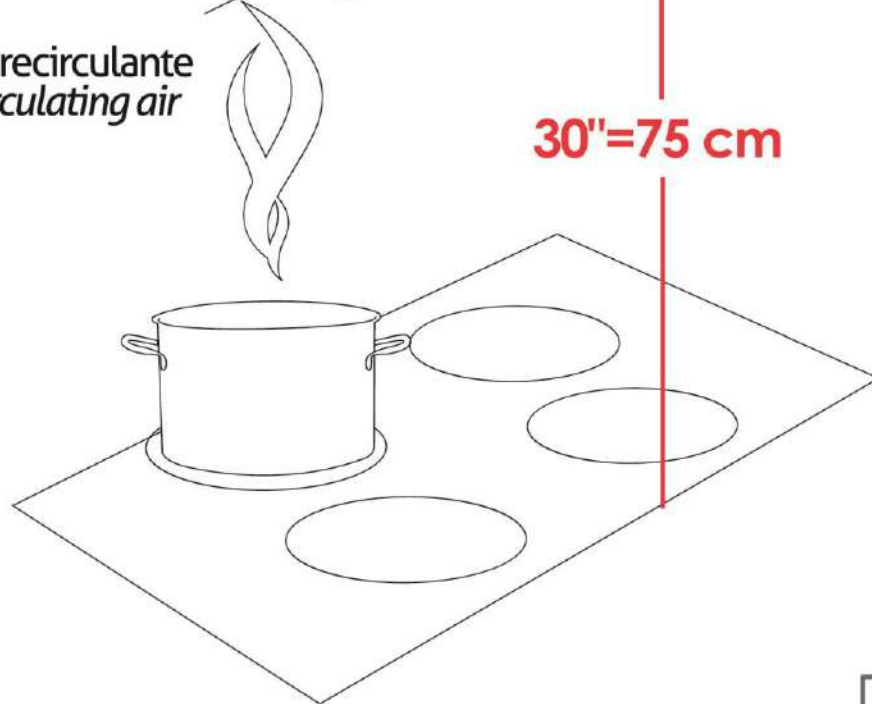
DRIJA[®] Prisma Isla 90

Extractor de Grasa / Range Hood



Extracción de aire recirculante
Extraction of recirculating air

30"=75 cm



24 MESES de GARANTÍA
MONTHS WARRANTY



Extractores de Grasa
Range Hood