



DRIJA

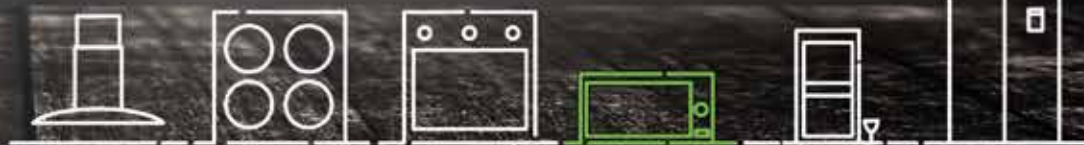
1 YEAR
WARRANTY

Sorrento 25L

Horno Microondas Empotrable
Built-in Microwave Oven



25 Lts
Capacidad
Capacity
**Cavidad Interna de
Acero Inoxidable**
Stainless Steel Internal Cavity



USER MANUAL

110V / 60Hz

NOTA: Para adquirir accesorios y/o repuestos de este producto, contáctenos al call center (según el número de su país que le indique el certificado de garantía) o a nuestras redes sociales

NOTE: To purchase accessories and / or spare parts for this product, contact us at the call center (depending on the number of your country that indicates the warranty certificate) or our social networks

 www.DrijalInternational.com





1. IMPORTANT SAFETY INSTRUCTIONS.....	3
2. PRECAUTIONS TO AVOID POSSIBLE EXPOSURE TO EXCESSIVE MICROWAVE ENERGY	5
3. INSTALLATION GUIDE.....	5
4. OPERATING INSTRUCTIONS.....	11
5. CONTROL PANEL	15
6. TROUBLE SHOOTING	17
8. CLEANING AND CARE.....	17

1. **IMPORTANT SAFETY INSTRUCTIONS**

READ CAREFULLY AND KEEP FOR FUTURE REFERENCES

SECURITY WARNING

- To reduce the risk of fire, electric shock, injury and exposure to energy in the microwave oven when using your appliance, follow the basic precautions, which include the following instructions:
- Read and follow the "PRECAUTIONS TO AVOID POSSIBLE EXPOSURE TO EXCESSIVE MICROWAVE ENERGY"
- This device is not intended to be used by people (including children) with reduced physical, sensory or mental abilities, due to lack of experience and knowledge, unless they have been supervised or instructed on the use of the device by a Person responsible for your safety. Children should be supervised so they do not play with the device.
- If the power cord is damaged, it must be replaced by the manufacturer, its service agent or similarly qualified persons to avoid a hazard (for the device with accessory type Y)
- **WARNING:** Make sure the appliance is switched off before replacing the lamp to avoid the possibility of electric shock.
- **WARNING:** It is dangerous for anyone other than a competent person to carry out any service or repair operation that involves the removal of a cover that protects against exposure to microwave energy.
- **WARNING:** Liquids and other foods should not be heated in sealed containers, as they may explode.
- This device can be used by children from 8 years and people with physical limitations, sensory or instructions on the use of the device safely and understand the hazards involved. Children should not perform cleaning and maintenance tasks without supervision, unless they are 8 years of age or older and supervised.

- When heating food in plastic or paper containers, monitor the oven due to the possibility of ignition.
- Use only utensils suitable for use in microwave ovens.
- If smoke is emitted, turn off or unplug the appliance and keep the door closed to smother the flames.
- Microwave heating of beverages can cause delayed eruptive boiling, so care must be taken when handling the container
- The contents of the bottles and baby food jar should be shaken or stirred and the temperature should be checked before consumption to avoid burns.
- Eggs in their shell and whole hard eggs should not be heated in microwave ovens as they may explode, even after the microwave heating has finished.
- The oven should be cleaned regularly and remove any food deposits.
- Failure to keep the oven in a clean state could damage the surface, which could adversely affect the life of the appliance and possibly cause a hazardous situation.
- Use only the temperature probe recommended for this oven. (For ovens equipped with an ease to use a temperature sensing probe).
- The microwave oven is intended to be used incorporated.
- This appliance is designed to be used in domestic and similar applications, such as: kitchen staff areas in stores, offices and other work environments; by clients in hotels, motels and other residential-type environments; country houses, rooms type bed and breakfast.
- Metal containers for food and beverages are not allowed during microwave cooking.
- The appliance must not be cleaned with a steam cleaner.
- The surface of a storage drawer may become hot.
- Do not use strong abrasive cleaners or metal scrapers to clean the glass of the oven door, as they may scratch the surface, which could damage the glass.
- During use, the appliance heats up. Care must be taken to avoid touching heating elements inside the oven.



- **WARNING:** Accessible parts may become hot during use. Young children should stay away. The appliance should not be installed behind a decorative door to prevent overheating. (This does not apply to appliances with a decorative door.)
- Care must be taken not to move the turntable when removing containers from the apparatus.

2. ***PRECAUTIONS TO AVOID POSSIBLE EXPOSURE TO EXCESSIVE MICROWAVE ENERGY***

- Do not attempt to operate this oven with the door open because operation in open doors can result in harmful exposure to microwave energy. It is important not to break or tamper with the safety interlocks.
- Do not place any object between the front face of the oven and the door or allow soil or cleaning residue to accumulate on the sealing surfaces.
- **WARNING:** If the door or door seals are damaged, the oven should not be operated until it has been repaired by a competent person.

NOTE: If the appliance is not kept in a good state of cleanliness, its surface could degrade and affect the useful life of the appliance and cause a dangerous situation.

3. ***INSTALLATION GUIDE***

- This appliance is intended for domestic use only.
- This oven is designed for integrated use only. It is not intended for use at the counter or for use inside a closet.
- Observe the special installation instructions.
- The appliance can be installed on a 60 cm wide wall. cupboard.
- The appliance is equipped with a plug and must only be connected to a properly installed earth electrode.
- The mains voltage must correspond to the voltage. It is specified on the rating plate.
- The plug must be installed and the connection cable should only be replaced by a qualified electrician. If the plug is no longer to access after

installation, an all-pole The disconnect device must be present in the installation. side with a contact space of at least 3 mm.

- Adapters, multi-way strips and extension cords should not be used. Overloading can cause a fire risk.

CONFIGURE YOUR OVEN

Names of oven parts and accessories. Remove the oven and all the materials from the box and the oven cavity. Your oven comes with the following accessories:

Glass tray: 1

Turntable ring set: 1

Instruction manual: 1

A) Control panel

B) Axis of the turntable

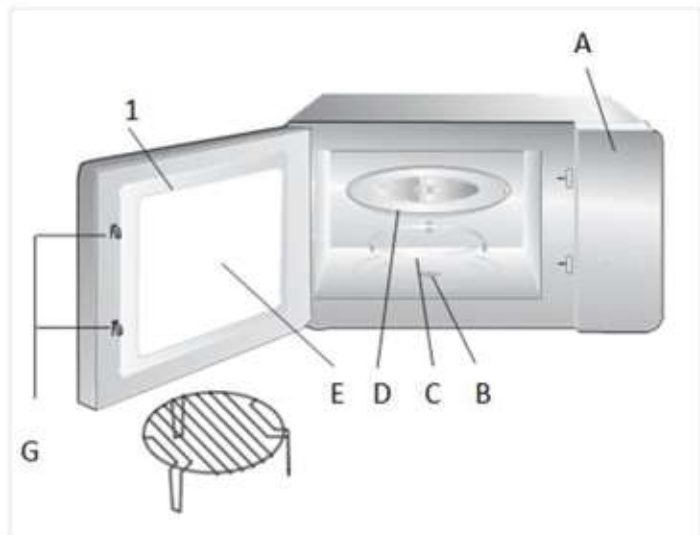
C) Rotating ring assembly

D) Glass tray

E) Observation window

F) Assembly of the door.

G) Security blocking system.



NOTE: The grill (cannot be used in the microwave function and must be placed on the glass tray)

Installation of the turntable

- ✓ Never place the glass tray face down.
- ✓ The glass tray should never be restricted.
- ✓ Both the glass tray and the rotating ring assembly must always be used during cooking.
- ✓ All food and food containers are always placed on the glass cooking tray.
- ✓ If the glass tray or rotating ring assembly cracks or breaks, contact the nearest authorized service center.

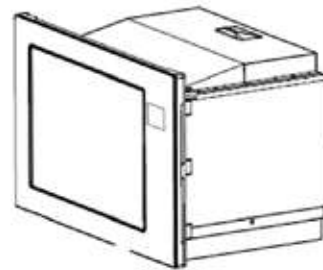




Installation instructions

Please read the manual carefully before installation

- The oven is equipped with a plug and should only be connected to a correctly installed earth electrode. The socket should only be installed and the connection cable should only be replaced by a qualified electrician, and in accordance with the appropriate regulations. If the plug is no longer accessible after installation, there must be an isolation switch for all telephones in the installation with a contact space of at least 3 mm.
- The installed cabinet must not have a rear wall behind the appliance.
- A space must be maintained between the wall and the base of the upper unit
- The size of the specific gap could be referenced by the diagrams.
- Minimum installation height: 85 cm.
- Do not cover the ventilation slots or the suction holes.
- Note: Do not trap or bend the power cord.

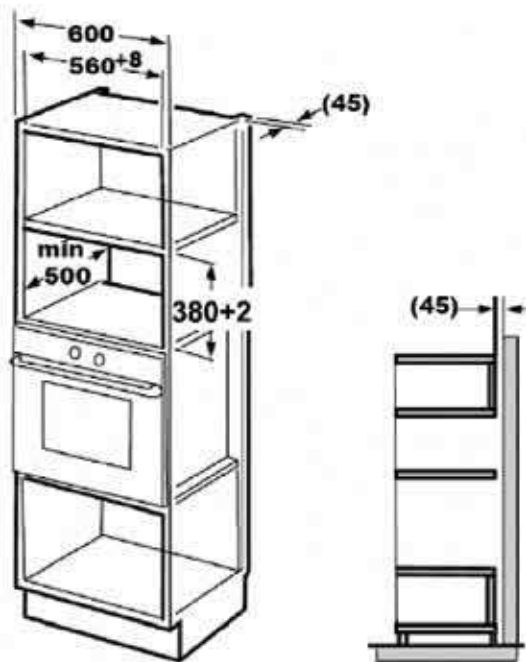
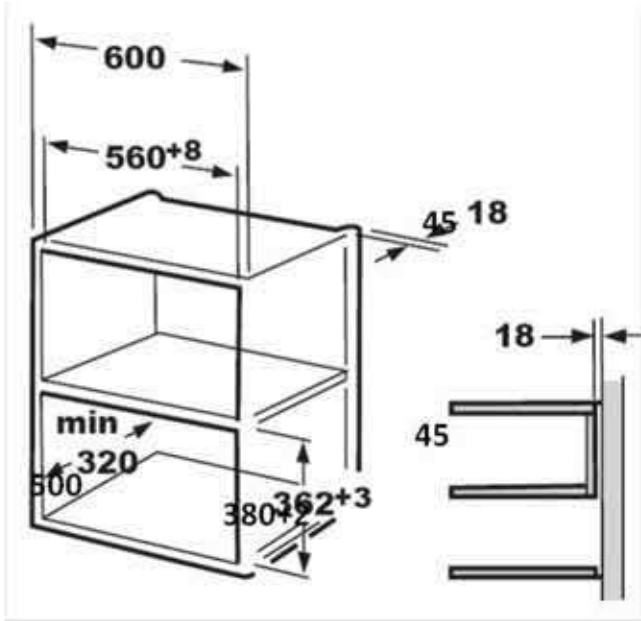


SCREW A  MOUNTING PLATE 

SCREW B 



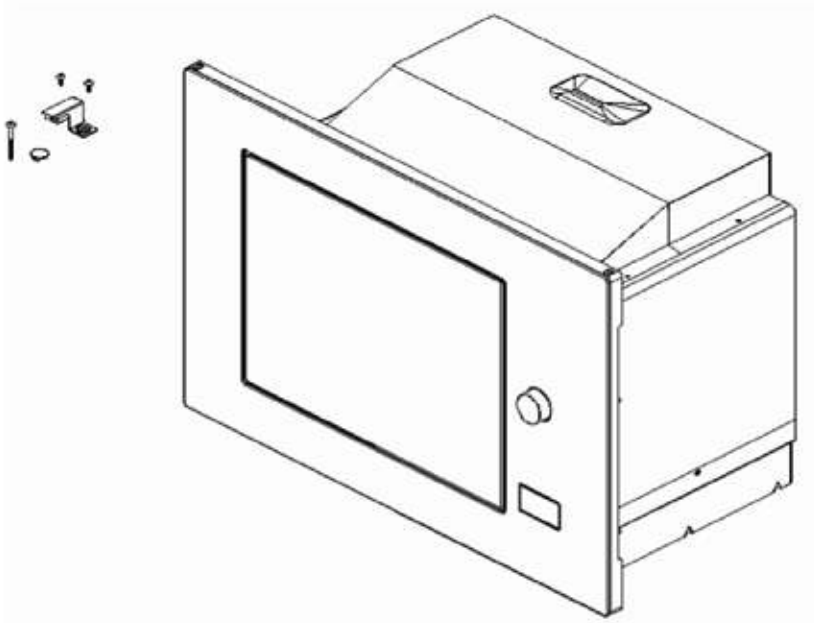
A. Built-in furniture.



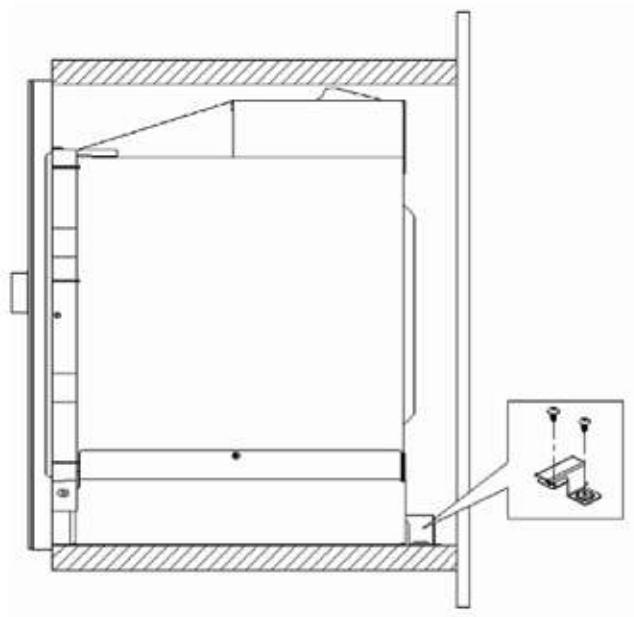
User Manual
BUILT-IN MICROWAVE OVEN | SORRENTO 25L

DRIJA

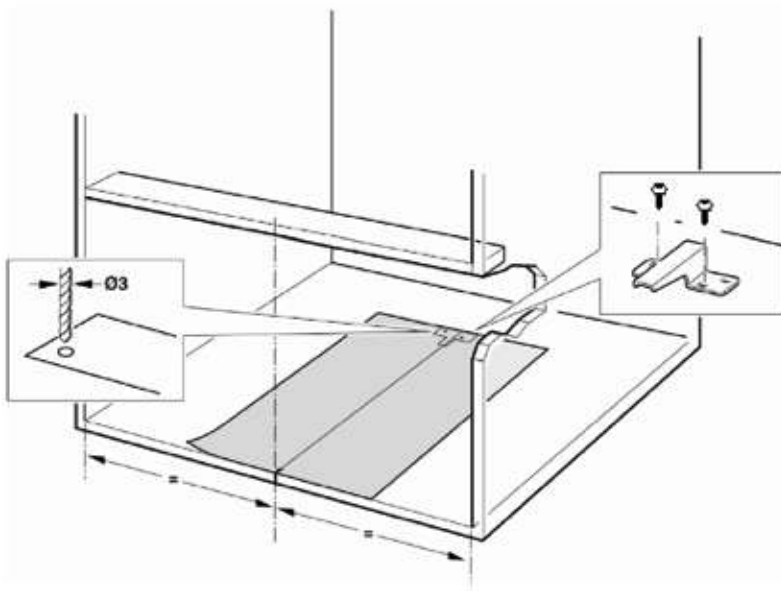
B.



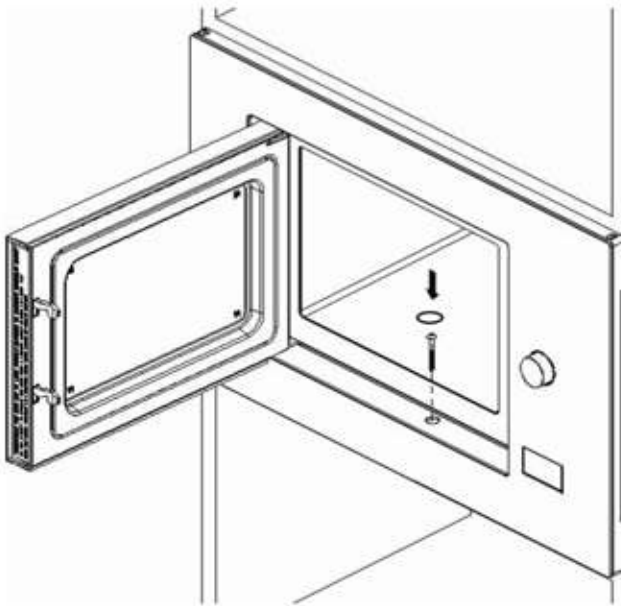
C.



D.



E.



4. OPERATING INSTRUCTIONS

This microwave oven uses modern electronic control to adjust the cooking parameters to best meet your cooking needs.

1. Clock settings

- When the microwave oven is electrified, the microwave oven "0:00", the buzzer will sound once.
- Press "Clock / Kitchen Timer" once, the hour figure flashes;
- Turn "👉" to adjust the hour figures, the entry time must be within 0-23.
- Press "Clock / Kitchen Timer", the minute figures will flash.
- Turn "👉" to adjust the minute figures, the entry time must be between 0 and 59.
- Press "Clock / Kitchen Timer" to finish setting the clock. ":" will blink,
- The clock indicator will turn off. Clock setup is complete

Note:

- If the clock is not set, it will not work when turned on
- During the clock setting process, pressing "Stop / Clear" will automatically return to the previous state.



2. Kitchen with microwave

- Press the "Microwave/Grill/Combi" key once and "P100" will appear.
- Press "Microwave/Grill/Combi" repeatedly or turn "👉" to select microwave power from 100% to 10%. "P100", "P80", "P50", "P30", "P10" will be displayed in order.
- Press "Start / + 30Sec. / Confirm" to confirm.
- Turn "👉" to adjust cook time. (The time setting should be 0: 05-95: 00.)
- Press "Start / + 30Sec. / Confirm" to start cooking.



NOTE: The step amounts for the coding switch setting time are as follows:

0 - 1 min: 5 seconds
1 - 5 min: 10 seconds
5 - 10 min: 30 seconds
10 - 30 min: 1 minute
30 - 95 min: 5 minutes


3. Grill Cooking:

- Press the "Microwave/Grill/Combi." key once, and "P100" display.
- Press " Microwave/Grill/Combi." or turn "  " to select the grill power .
- Press "START/+30SEC./CONFIRM " to confirm when the LED display "G".
- Turn "  " to adjust the grill time. (The time setting should be 0:05- 95:00.)
- Press " START/+30SEC./CONFIRM " to start cooking.


4. Combination cooking

- Press the "Microwave/Grill/Combi." key once, and "P100" display.
- Press " Microwave/Grill/Combi." or turn "  " to select the combination power "C-1(55%microwave+45%grill)" and "C-2(36%microwave+64%grill)" will display in order.
- Turn "  " to adjust the grill time. (The time setting should be 0:05- 95:00.)
- Press "START/+30SEC./CONFIRM " to confirm.
- Press " START/+30SEC./CONFIRM " to start cooking.

5. Defrost by weight

- Press "Weight/Time Defrost "once, the display will show" dEF1 ".
- Turn "  " to select the weight of the food. The weight range is 100-2000g.
- Press the "Start / + 30Sec. / Confirm" key to start defrosting.



6. Defrost by time

- Press "Weight/Time Defrost " twice, the display will show" dEF2 ".
- Trun "  " to select cooking time. The maximum time is 95 minutes.
- Press "Start / + 30Sec. / Confirm" to start defrosting.

7. Multi-stage cooking

A maximum of two stages can be configured. If a stage is defrosting, it should be placed in the first stage automatically. The buzzer will sound once after each stage and the next one will begin.

Note: The automatic menu cannot be configured as one of the multiple stages. Example: if you want to defrost food for 5 minutes, cook on 80% microwave power for 7 minutes. The steps are the following:

- Press "Weight/Time Defrost" twice, the display will show "dEF2".
- Turn "  " to set the defrost time of 5 minutes;
- Press "Microwave/Grill/Combi" once, the display will show "P100".
- Press "Microwave/Grill/Combi" once again or turn "  " to choose 80% microwave power, the screen will show "P80"



Note: The kitchen timer is different from the 24 hour system, the kitchen timer is a timer.

- Press "Start / + 30Sec. / Confirm" to confirm.
- Turn "👆" to adjust the cooking time of 7 minutes;
- Press "Start / + 30Sec. / Confirm" to start cooking

8. Kitchen Timer

- Press "Clock / Kitchen Timer" twice, the display will show 00:00.
- Turn "👆" to enter correct timer (maximum cook time is 95 minutes).
- Press "Start / + 30Sec. / Confirm" to confirm the setting, the timer indicator will light.
- When the kitchen time comes, the timer indicator will turn off. The buzzer will ring 5 times. If the clock is set (24 hour system), the display will show the current time

9. Automatic menu

- In the standby state, turn " " to choose the menu from "A-1" to "A-4"
- Press "Start / + 30Sec. / Confirm" to confirm the menu you choose.
- Turn "👆" to choose the weight of the food.
- Press "Start / + 30Sec. / Confirm" to start cooking.
- After cooking is finished, the buzzer sounds five times. The display shows "0:00". If the time has been set, the current time will be displayed

The menu graphic:

MENU	WEIGHT	MONITOR
A-1 Pizza	200 g	200
	400 g	400
A- 2 Potato	200 g	200
	400 g	400
	600 g	600
A-3 Meat	250 g	250
	350 g	350
	450 g	450
A-4 Fish	250 g	250
	350 g	350
	450 g	450



A-5 Vegetal	200 g	200
	300 g	300
	400 g	400
A-6 Drink	1 cup (120 ml)	1
	2 cup (240 ml)	2
	3 cup (360ml)	3
A-7 Pasta	50g (with 450 g cold water)	50
	100g (with 800 g de agua cold water)	100
A-8 Popcorn	50 g	50
	85 g	85
	100 g	100

10. Quick cooking

- In standby state, press "Start / + 30Sec. / Confirm" key to cook at 100% power level for 30 seconds. Each press of the same key can increase 30 seconds. The maximum cooking time is 95 minutes.
- During microwave, grill, combination cooking and time defrosting,
- Press "Start / + 30Sec. / Confirm" to increase the cooking time.
- In the automatic menu and defrost by weight states, the cooking time cannot be increased by pressing "Start / + 30Sec. / Confirm".

11. Child lock function

- Lock: in standby state, press "Stop / Clear" for 3 seconds, there will be a long beep indicating it enters the child lock state and the current time will be displayed if the time has been set; otherwise, the display will show "".
- Lock closure: in locked state, press "Stop / Clear" for 3 seconds, there will be a long "beep" indicating that the lock has been released.

11. Query function

- In microwave, grill and combination cooking states. Press "Microwave / Grill / Combi" the current power will be displayed for 3 seconds.
- During cooking, press "Clock / Kitchen Timer" to check current time.
- It will be displayed for 3 seconds.

12. Specification

- "Start / + 30Sec. / Confirm" must be pressed to continue cooking if the door is opened during cooking;
- Once the cooking program is set, do not press "Start / + 30Sec. / Confirm" within 1 minute
- The current time will be displayed. The setting will be canceled.
- Buzzer sounds once when pressed efficiently, inefficient pressure will not respond.

5. CONTROL PANEL

Cooking time, power, indicators and current time are displayed.

MICRO

Use to adjust microwave cooking time.

Grill

Use to adjust Grill cooking time.

BUS.

Use to set the combined cook time.

DEFROST BY WEIGHT

Used to defrost frozen meat, poultry, and seafood by weight

CLOCK

Use it to set the time of day or to remember the time of day.

CANCEL

Touch to cancel the selected power level, cook or defrost the previously programmed times. But the clock time of day cannot be canceled.

START

Touch to start cooking or defrosting programs.

User Manual
BUILT-IN MICROWAVE OVEN | SORRENTO 25L

DRIJA



6. TROUBLE SHOOTING

NORMAL	
Microwave oven that interferes reception	The reception of the radio and TV can suffer interference when using the microwave oven. It is similar to the interference of small electrical appliances, such as the leader, the transparent vacuum and the electric fan. It is normal.
Dim light from the oven	In the low power microwave oven, the light can be dimmed. It is normal.
Steam that accumulates in the door, hot air through the vents	In the kitchen, steam can come out of food. Most will come out of the vents. But some can accumulate in cool places like the door oven. It is normal.
Oven ripped accidentally without food inside	It is forbidden to operate the unit without food inside. It's very dangerous.

According to Waste of Electrical and Electronic Equipment (WEEE) directive, WEEE should be separately collected and treated. If at any time in future you need to dispose of this product please do NOT dispose of this product with household waste. Please send this product to WEEE collecting points where available.

7. CLEANING AND CARE

CLEANING

Be sure to unplug the appliance from the power source.

- Clean the oven cavity after use with a slightly damp cloth.
- Clean the accessories in the usual way in soapy water.
- The frame and seal of the door and the adjacent parts should be carefully cleaned with a damp cloth when they are dirty.
- Do not use strong abrasive cleaners or sharp metal scrapers to clean the glass of the oven door, as they may scratch the surface, which could break the glass.
- Cleaning tip: to facilitate the cleaning of cavity walls that can touch cooked food: place half a lemon in a bowl, add 300 ml (1/2 pint) of water and heat to a microwave power of 100% for 10 minutes. Clean the oven with a soft, dry cloth.