



DRIJA®

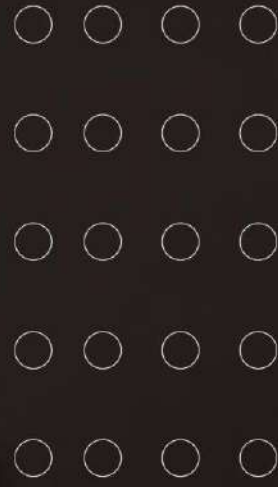
12 MESES de GARANTÍA
MONTHS WARRANTY

Catania 45L

Microondas para Empotrar
Microwave To Fit

45 Lts
Capacidad
Capacity

Contiene Plato de Vidrio Giratorio
Contain Rotating Glass Plate



USER MANUAL

110V / 60Hz

NOTA: Para adquirir accesorios y/o repuestos de este producto, contáctenos al call center (según el número de su país que le indique el certificado de garantía) o a nuestras redes sociales

NOTE: To purchase accessories and / or spare parts for this product, contact us at the call center (depending on the number of your country that indicates the warranty certificate) or our social networks

www.DrijalInternational.com

User Manual
MICROWAVE OVEN | CATANIA 45L



1. IMPORTANT SAFETY INSTRUCTIONS.....	3
2. PRECAUTIONS TO AVOID POSSIBLE EXPOSURE TO EXCESSIVE MICROWAVE ENERGY	5
3. INSTALLATION GUIDE.....	5
4. OPERATING INSTRUCTIONS.....	8
5. TROUBLESHOOTING.....	17
7. CLEANING AND CARE.....	18



1. **IMPORTANT SAFETY INSTRUCTIONS**

PLEASE READ CAREFULLY AND KEEP FOR FUTURE REFERENCE

SECURITY WARNING

To reduce the risk of fire, electric shock, injury to persons, or exposure to excessive energy in the microwave oven when using your appliance, follow basic precautions, including the following: (Read all instructions before using the appliance)

- Read and follow the "PRECAUTIONS TO AVOID POSSIBLE EXPOSURE TO EXCESSIVE MICROWAVE ENERGY"
- This device is not intended for use by persons (including children) with reduced physical, sensory or mental abilities, or lack of experience and knowledge, unless they have been supervised or instructed in the use of the device by a person responsible for your safety. Children must be supervised to ensure that they do not play with the appliance.
- If the power cord is damaged, it must be replaced by the manufacturer, its service agent, or similarly qualified persons to avoid a hazard (for the appliance with Y-type accessory)

ADVERTENCIA:

- Make sure the appliance is switched off before replacing the lamp to avoid the possibility of electric shock.
- It is dangerous for anyone other than a competent person to carry out any service or repair operation that involves the removal of a cover that protects against exposure to microwave energy.
- Liquids and other foods should not be heated in sealed containers as they may explode.
- This device can be used by children from 8 years and people with physical or sensory limitations or instructions on how to use the device safely and understand the dangers involved. Children should not perform unsupervised cleaning and maintenance unless they are 8 years of age or older and supervised.
- When heating food in plastic or paper containers, keep an eye on the oven due to the possibility of ignition.
- Only use utensils suitable for use in microwave ovens.
- If smoke is emitted, turn off or unplug the appliance and keep the door closed to smother the flames.



- Microwave heating of beverages can cause delayed eruptive boiling, so care should be taken when handling the container.
- The contents of the bottles and baby food jar should be shaken or stirred and the temperature checked before consumption to avoid burns.
- Eggs in their shell and whole hard-boiled eggs should not be heated in microwave ovens as they may explode, even after microwave heating has finished.
- The oven should be cleaned regularly and any food deposits removed.
- Failure to keep the oven in a clean condition may cause the surface to deteriorate, which could adversely affect the life of the appliance and possibly lead to a dangerous situation.
- Use only the temperature probe recommended for this oven. (For ovens provided with a facility to use a temperature sensing probe).
- The microwave oven is intended to be used built-in.
- This appliance is designed to be used in household and similar applications, such as: staff kitchen areas in shops, offices and other work environments; by clients in hotels, motels and other residential-type settings; country houses, bed and breakfast type environments.
- Metal food and beverage containers are not allowed during microwave cooking.
- The appliance must not be cleaned with a steam cleaner.
- The surface of a storage drawer can get hot.
- Do not use harsh abrasive cleaners or metal scrapers to clean the oven door glass as they can scratch the surface, which could damage the glass.
- During use, the appliance becomes hot. Care must be taken to avoid touching heating elements inside the oven.
- Accessible parts can become hot during use. Young children should be kept away. The appliance must not be installed behind a decorative door to avoid overheating. (This does not apply to appliances with a decorative door.)
- Care must be taken not to shift the turntable when removing containers from the appliance.



2. PRECAUTIONS TO AVOID POSSIBLE EXPOSURE TO EXCESSIVE MICROWAVE ENERGY

- Do not attempt to operate this oven with the door open because operation with open doors can result in harmful exposure to microwave energy. It is important not to break or tamper with the safety interlocks.
- Do not place any objects between the front face of the oven and the door or allow soil or cleaning residue to accumulate on the sealing surfaces.
- **WARNING:** If the door or door seals are damaged, the oven should not be operated until it has been repaired by a competent person.
- **NOTE:** If the appliance is not kept in a good state of cleanliness, its surface could degrade and affect the life of the appliance and cause a dangerous situation.

3. INSTALLATION GUIDE

Risk of Excessive Weight

Move and install the grill between two or more people. Failure to follow these directions can result in back pain or other injuries.

IMPORTANT: The controls side of the oven is the heavy side. Handle the microwave oven with care. The weight of the oven is greater than 34.1 pounds (15.5 kg).

- Place the microwave oven on a cart, cover, table, or shelf that is sturdy enough to support the weight of the oven and the food and utensils you place inside.
- The microwave oven must be at a temperature above 50 ° F (10 ° C) to operate properly.

NOTE: Some models can be recessed into the wall or into a cabinet using one of the trim packages listed in the “Support or Service” section.

- Do not block the ventilation vents or air intake openings. Allow a few inches of space at the back and to the side of the microwave where the vents are located. Blocking these vents can cause microwave damage as well as poor cooking results.
- Make sure the legs of the microwave oven are in place to ensure adequate airflow. If the vents are blocked, a heat sensor inside the oven might turn off the microwave. The oven will work properly only after it has cooled down.



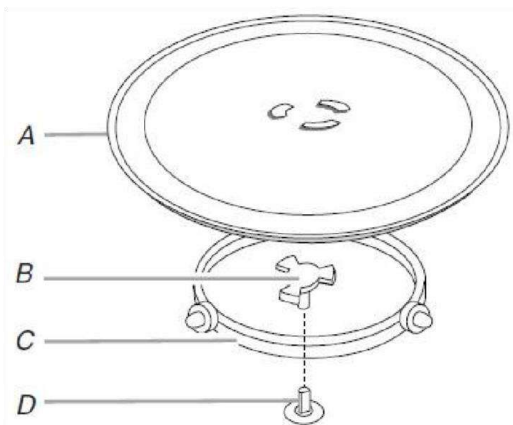
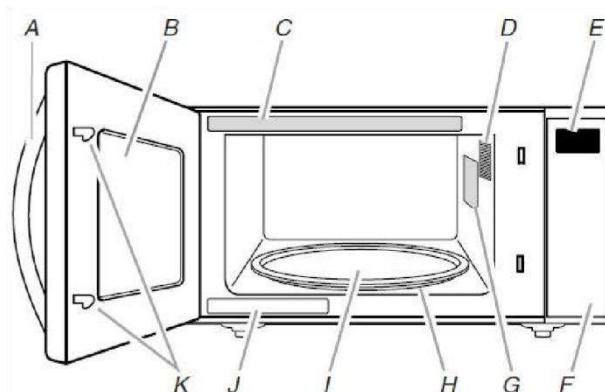
Risk of electric shock

- Plug into a 3-terminal outlet.
- Do not remove the ground terminal.
- Do not use an adapter.
- Do not use an extension cord.
- Failure to follow these instructions can result in death, fire, or electric shock.

SET UP YOUR OVEN

Names of oven parts and accessories. Remove the oven and all materials from the box and oven cavity. Your oven comes with the following accessories:

- A. Door handle (on some models without button to open)
- B. Window
- C. Cook Guide Label
- D. Microwave oven light
- E. Display
- F. Control panel
- G. Inner cover of microwave
- H. Removable turntable support
- I. Turntable
- J. Model plate and serial number
- K. Door locking system



- A. Turntable
- B. Base
- C. Support
- D. Leave



The turntable can rotate in both directions to help food cook more evenly. For best cooking results, do not operate the microwave without having the turntable in place. See "Assistance or service" to reorder any of the parts.

Nominal Electrical Characteristics:

Nominal Voltage: 120V

Nominal Power: 60 Hz

Nominal Power In: 1.600 W

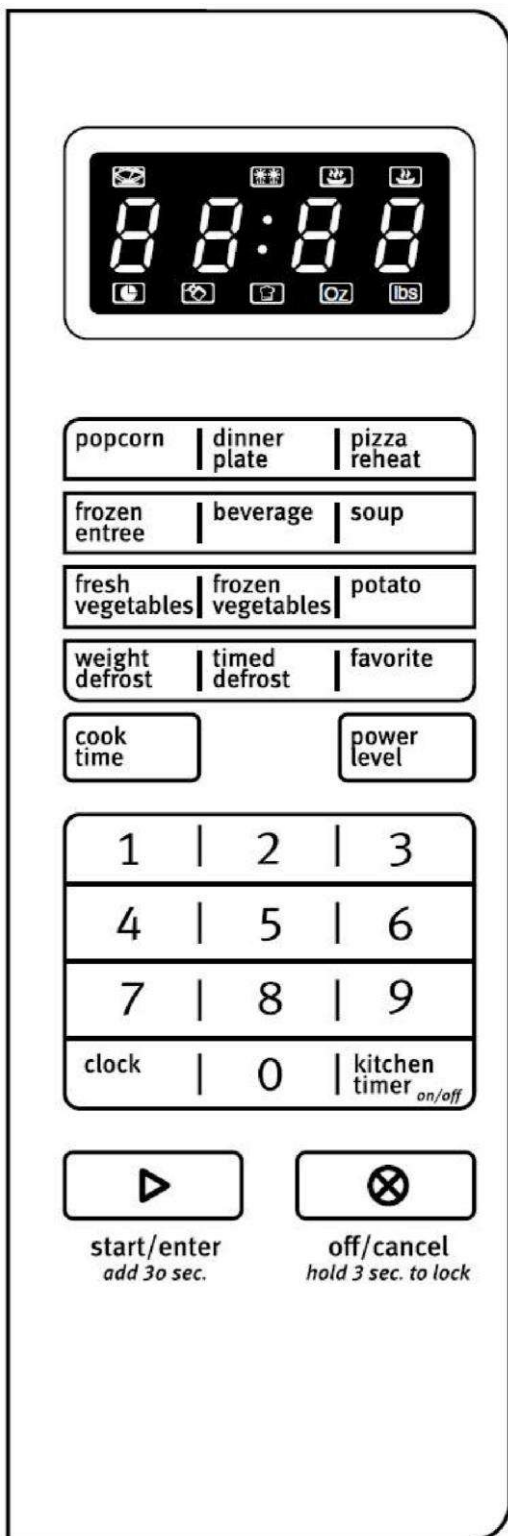
Nominal Power Out: 1.600 W

For install:

1. Place the support in the bottom of the oven cavity.
2. Place the turntable on the stand. Place the curved lines in the center of the bottom of the turntable between support points on the shaft. The rollers in the bracket must sit within the bottom edge of the turntable.



4. OPERATING INSTRUCTIONS

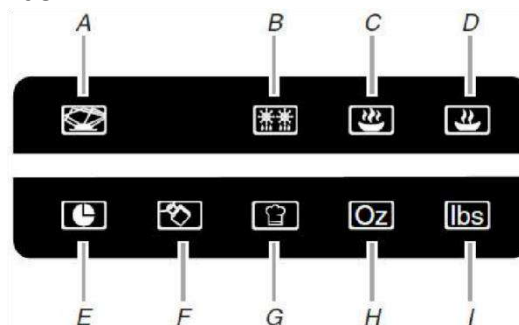


Control Panel

“0:00” will appear on the display. If “0:00” appears on the display at any other time, a power failure has occurred. Reset the watch if necessary.

Function icons

- A. Microwave
- B. Defrost
- C. Power
- D. Potency (low to medicine.)
- E. Time
- F. Control Lock
- G. Menu
- H. Ounces
- I. Pounds



Icons will light on the screen while specific functions are being programmed. While the function is in operation, the icons will blink until the program has finished. The control lock icon remains on not flashing while the controls are locked.



While you are using the microwave oven, the display will show the remaining time and the function icons will flash. When the microwave oven is not in use, it shows the time on the display (if the clock is set) or the timer countdown.

Home / Accept

The START / ENTER key starts any function. If the cycle is interrupted by opening the door, pressing START / ENTER will continue with the preset cycle. **NOTE:** To avoid unintentional operation of the microwave oven, a function cannot be started if the microwave oven door has been closed for approximately 5 minutes. The message “door” will appear on the screen until the door is opened or closed.

Add 30 seconds

The ADD 30 SEC (START / ENTER) key starts the microwave for 30 seconds at 100% power and can add more time in intervals of 30 seconds of cook time, and up to 30 minutes.

Cook time can be added in 30 second increments to a manual cook cycle by repeatedly pressing the ADD 30 SEC pad during the cycle.

NOTE: To avoid unintentional operation of the microwave oven, a function cannot be started if the microwave oven door has been closed for approximately 5 minutes. The message “door” will appear on the screen until the door is opened or closed.

Shutdown / Cancel

The OFF / CANCEL key stops any incorrect command and cancels any program during cooking. This will not erase the time of day. The microwave oven will also turn off when the door is opened. Close the door and press START / ENTER to continue the cycle.

The OFF / CANCEL button is also used to lock and unlock the operation panel. See "Control Lock".

Tones

Tones are auditory cues that can be turned off.

A tone

- Valid key
- Activate or deactivate control lock

Two Tone

- End of stage in multi-stage cooking



Three Tones

- End of Timer

Five Tones

- End of the knowledge cycle

Clock

This is a 12-hour standard clock (1:00 - 12:59). The watch cannot be erased. If the clock is not set, it will be displayed (0:00) when the microwave is not in use.

To configure:

The microwave oven and the timer must be off.

1. Press CLOCK.
2. Press the number buttons to capture the time.
3. Press CLOCK.

Kitchen timer

The kitchen timer can be set in minutes and seconds, up to 99 minutes and 99 seconds, and counts down.

NOTE: The timer does not start or stop the oven. Cooking functions can be used while the timer is counting down. When the function is active on the screen, press KITCHEN TIMER ON / OFF to see the timer countdown for 5 seconds.

To Configure:

1. Press KITCHEN TIMER ON / OFF
2. Use the number buttons to capture the desired time.
3. Press START / ENTER.
4. When the selected time expires, “End” will be displayed on the screen and the Timer end tone will be heard.
5. Press OFF / CANCEL while the timer is active on the screen to cancel the timer. The time can be reset during the countdown when the timer is canceled, then repeat the above steps.



Control Lock

The control lock disables the control panel keys to prevent unintentional use of the oven.

To Lock / Unlock the controls: The oven must be off. Press and hold OFF / CANCEL for 3 seconds until the tones are heard and the icon appears on the screen. Repeat to unlock. The control lock icon will remain lit on the screen until the control is locked.

If any button is pressed while the control lock is active, there will be no response from the controls.

The microwave oven has a magnetron that produces microwaves which reflect off the metal floor, walls and ceiling and pass through the turntable and containers inside the oven. These microwaves are attracted to and absorbed by the fat, sugar and water molecules in the food, causing them to move, producing friction and heating the food.

- To avoid damaging the oven, do not recharge or allow children to hang on the oven door.
- To avoid damaging the oven, do not operate it when the oven is empty.
- Bottles and baby food containers should not be heated in the microwave.
- Items such as garments, flowers, fruits, herbs, wood, pumpkins, paper, including brown paper bags and newspaper, should not be dried in the microwave.
- Wax like paraffin will not melt in the microwave because it does not absorb microwaves.
- Use oven mitts or hot rags when removing containers from the oven.
- Don't overcook potatoes. At the end of the recommended time, the potatoes should be slightly firm. Let the potatoes rest for 5 minutes. They will finish cooking while they rest.
- Do not cook or overheat whole eggs with everything and shell. The steam inside the eggs can cause the eggs to burn and explode, which will require a thorough cleaning of the oven cavity. Cover the boiled eggs and let them rest for a while.



Food characteristics

When cooking with the microwave oven, the amount, size, shape, initial temperature, composition and density of the food affect the results.

Quantity of food

The more food is heated at the same time, the longer it will take to warm up. Review the term and add small time increments if necessary.

Size and shape

Smaller pieces of food will cook faster than large pieces, evenly shaped foods cook better than irregularly shaped foods.

Initial temperature

Food that is at room temperature will cook faster than refrigerated foods, and refrigerated foods will cook faster than frozen foods.

Composition and density

Foods high in fat and sugar will reach a high temperature and cook more quickly than other foods. Foods with a high density, such as meats and potatoes, require a longer cooking time than another food of the same size but lighter and more porous, such as a cake.

Cooking guidelines

Covers

Covering food helps retain moisture, shorten cook time, and reduce spatter. Use the lid provided with the microwave container. If you don't have the lid, you can use wax paper, paper towels, or microwave-safe plastic wrap for wrapping. The plastic wrap should be turned inside out at one of the corners for ventilation. Condensation on door and cavity surfaces is normal during extended cooking.

Stirring and turning

Stirring and turning redistributes heat evenly to avoid overcooking food on the edges. Stir from the outside to the center. If possible, turn food from bottom to top.



Arrangement

If you are heating foods of different sizes or irregular shapes, arrange the thinnest parts and the smallest parts towards the center, if you are cooking many pieces of the same shape and size, arrange them in a ring shape, leaving the center of the ring empty.

Punch out

Before heating, use a fork or small knife to pierce or chop foods that have skin or membrane, such as potatoes, egg yolks, chicken livers, hot dogs, and sausages. Chop in different places to allow steam to vent.

Protective layer

Use small, thin pieces of aluminum foil to cover thin pieces of irregularly shaped foods, bones, and foods such as chicken wings, legs, and fish tails. See first the section “Aluminum foil and metal”.

Resting time

Food will continue to cook with natural heat conduction even after the heating cycle has finished. The length of the standing time depends on the volume and density of the food.

NOTE: To cook at 100% power, begin by pressing the number buttons to capture time, then press START / ENTER. To use:

1. Place the food on the turntable and close the door.
2. Press COOK TIME.
3. (0:00) will appear on the display. Capture the cooking duration time.
4. If you are cooking at 100% power, skip step 3.
5. Press POWER LEVEL.
6. The default power level PL10 will appear on the screen. Capture the desired level. See the section “Cooking power”.



7. Press START / ENTER.
8. When the cycle ends, “End” will appear on the display, and tones will sound at the end of the cycle.
9. Press OFF / CANCEL or open the door to clear the screen.

Multi-stage cooking

The microwave oven can be set to different power levels for various periods of time, up to 2 stages, which can include a defrost stage.

NOTE: If a defrost stage is programmed, this will be the first to start.

To cook in stages:

1. Place the food on the turntable and close the door.
2. Press COOK TIME.
3. (0:00) will appear on the display. Capture the cooking duration time.
4. Press POWER LEVEL, enter the desired power for the first stage. See the section “Cooking power”.
5. Repeat steps 2 and 3 for the second stage.
6. Press START / ENTER.
7. Two tones will be heard between stages. When the cycle ends, “End” will appear in the display, and tones will sound at the end of the cycle.
8. Press OFF / CANCEL or open the door to clear the screen.
9. Time can be added in 30 second increments during cycles by pressing the ADD 30 SEC button.

Favorite

Use the FAVORITE button to program, store and reuse the 3 most used manual cooks. Each favorite can have 1 or 2 stages (see "Cooking in stages"). In the event of a power failure, saved favorite programs will need to be reprogrammed.

To set a FAVORITE:

1. Press FAVORITE.
2. “1” will appear on the screen. Touch FAVORITE repeatedly to display “2” or “3” until the favorite program you want is displayed.
3. Press COOK TIME, then enter the cook time.
4. Press POWER LEVEL, then capture the power level.
5. If you are programming a second stage, enter the cook time and power level for that stage (See the “Stage Cooking” section).
6. Press FAVORITE to save.



7. Press START / ENTER to begin the programmed cycle. The program will also be saved.

To use FAVORITE:

1. Place the food on the turntable, and close the door.
2. Press FAVORITE repeatedly until the desired program is selected.
3. Press START / ENTER.
4. When the cycle ends, “End” will appear on the display, and tones will sound at the end of the cycle.
5. Press OFF / CANCEL or open the door to clear the screen.

Sensor Cook

A sensor in the microwave oven detects the moisture released from the food as it heats up and adjusts the cook time accordingly. Many sensor cycles require food to be covered. It is recommended to use microwave containers with lids that are loose or do not seal completely. These will allow the steam to escape to be detected by the sensor. When covering food with plastic, be sure to leave enough ventilation for steam to escape.

During the cycle, “SC” (Sensor Clock) will be displayed on the screen.

NOTES:

- The microwave oven must be connected for at least 3 seconds.
- The oven cavity and the outside of the food container must be dry.
- The ambient temperature should not be higher than 35 ° C (95 ° F).
- If the door is opened while the sensor is detecting humidity (while “SC” is on the display), the detection will stop and the program will be canceled.

Defrost by weight / Defrost by time

Defrost by weight, defrost by time can be used, or the microwave oven can be manually set to defrost.

Unwrap food and remove lids (for example, from fruit and juice containers) before defrosting.

Flat, spread packages will defrost faster than block-shaped foods.

Separate food pieces as soon as possible during or at the end of the cycle for even defrosting.



To use defrost by weight:

1. Place the food on the turntable and close the door.
2. Press the WEIGHT DEFROST button.
3. “dEF1” will appear on the screen. Press WEIGHT DEFROST a second time for “dEF2” and a third time for “dEF3” if you are defrosting poultry or fish. See the table.
4. To select the desired program, press START or wait 5 seconds, and the cursor to capture the weight will appear on the screen.
5. Capture the weight.
6. Weight can be set from 0.3 pounds to 6.3 pounds (136 g to 2.86 kg).
7. Press START / ENTER.
8. The display will show the defrost countdown. The cycle can be briefly interrupted by opening the door to turn the food if necessary. Close the door and press START / ENTER to continue the cycle.
9. When the cycle ends, “End” will appear in the display, and tones will sound at the end of the cycle.
10. Press OFF / CANCEL or open the door to clear the screen.

Defrost by time

Defrost by time does not have a predefined program, but uses only 30% (PL3) of the power.

To use time defrost:

1. Place the food on the turntable and close the door.
2. Press the TIMED DEFROST button. “00:00” will appear on the display.
3. Capture the time in minutes and seconds.
4. Press START / ENTER.
5. The display will show the defrost countdown. The cycle can be briefly interrupted by opening the door to turn the food if necessary. Close the door and press START / ENTER to continue the cycle.
6. When the cycle ends, “End” will appear in the display, and tones will sound at the end of the cycle.
6. Press OFF / CANCEL or open the door to clear the screen.
7. To defrost manually: Follow the instructions in the “Manual Cook” section and use 30% power.
8. See the table “Cooking power of the oven”.



5. TROUBLESHOOTING

NORMAL	
Microwave oven interfering with reception	Radio and television reception may be interfered with when using the microwave oven. It is similar to interference from small electrical appliances, such as electric leader, transparent vacuum, and fan. It is normal.
Low oven light	In low-power microwave cooking, the light can be dimmed. It is normal.
Steam collecting on door, hot air from vents	In the kitchen, steam can escape from food. Most will come out of the vents. But some can accumulate in cool places like the door oven. It is normal.
Oven accidentally started without food inside	It is forbidden to operate the unit without food inside. It's very dangerous.
Has a fuse blown or has the circuit breaker tripped?	Replace the fuse or reset the circuit breaker. If the problem continues, call an electrician.
Is the electronic control of the oven correctly adjusted?	See section "Microwave oven control"
Does "pain" appear on the screen?	Open and close the oven door and then press START.
Is the control lock activated?	See "Control Lock" section



According to waste electrical and electronic equipment. Directive (WEEE), WEEE must be collected separately and treated. If at any time in the future you need to dispose of this product, DO NOT dispose of it with your household waste. Please send this product to WEEE collection points when available.

6. CLEANING AND CARE

CLEANING

- Be sure to unplug the appliance from the power source.
- Clean the oven cavity after use with a slightly damp cloth.

IMPORTANT: Before cleaning, make sure the oven is off and cool. Always try to follow the directions on cleaning product labels.

MICROWAVE OVEN CAVITY

To avoid damage to the microwave oven cavity, do not use soapy scouring pads, abrasive cleaners, steel pads, grainy rags, or some recycled paper towels. To avoid damaging stainless steel models, grind in the polishing direction.

The area where the microwave oven door and frame make contact when closed should also be cleaned.

Average dirt

- Mild non-abrasive soaps and detergents: Rinse with clean water and dry with a soft, lint-free cloth.

Difficult dirt

- Mild non-abrasive soaps and detergents: Heat a cup (250 mL) of water for 2 to 5 minutes in the microwave oven. The steam will soften the dirt. Rinse with clean water and dry with a soft, lint-free garment.

Smells

- Lemon juice or vinegar: Heat a cup (250 mL) of water with 1 tablespoon of either lemon juice or vinegar for 2 to 5 minutes in the microwave oven.

Microwave inner cover

To avoid bowing and damage to the microwave, the inner cover of the microwave (See “Parts and Features”) must be kept clean.

- Clean with a damp cloth.



Microwave Oven Door

The area where the microwave oven door and frame make contact when closed should also be cleaned.

- Mild non-abrasive soaps and detergents: Rinse with clean water and dry with a soft, lint-free cloth.
- Glass cleaner and paper towel or non-abrasive plastic scouring pad.
- Apply the cleaner to the towel and not directly to the surface. Acero inoxidable (en algunos modelos)

To avoid damaging the microwave oven door and exterior, do not use scouring pads filled with soap, abrasive cleaners, steel spatulas, scratchy rags, or some paper towels. Scrub in the direction of polishing.

- Liquid detergent or all-purpose cleaner: Rinse with clean water and dry with a soft, lint-free cloth.
- Vinegar for tough water stains.

Control Panel

- Soft cloth or sponge and water: Soak the sponge with water and clean the panel. Dry with a dry cloth.

To avoid damage to the control panel, do not use chemicals or abrasive cleaners.

Spinning plate

Replace the turntable after cleaning. Do not use the microwave oven without the turntable in place.

- Mild cleaner and scourer
- Dishwasher