



DRIJA®

24 MESES de GARANTÍA
MONTHS WARRANTY

WE GIVEAWAY
IN ALL OUR RANGE HOOD

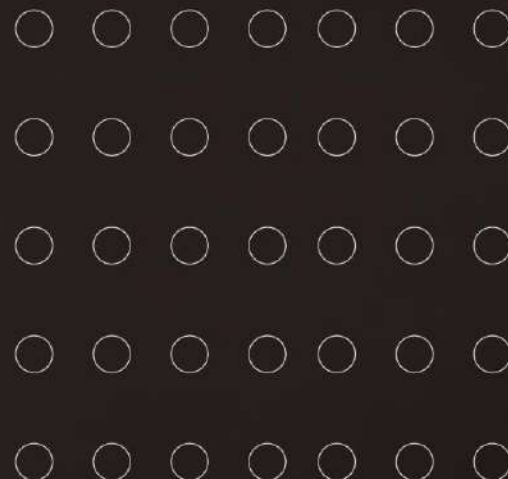
OBSEQUIAMOS
EN TODOS NUESTROS EXTRACTORES DE GRASA



2 Filtras de Carbón Activo
2 Active Carbon Filters

Square ISLA PROFESSIONALE

Extractor de Grasa
Range Hood



Extractores de Grasa
Range Hood

USER MANUAL

110-120 V / 60Hz

NOTA: Para adquirir accesorios y/o repuestos de este producto, contáctenos al call center (según el número de su país que le indique el certificado de garantía) o a nuestras redes sociales

NOTE: To purchase accessories and / or spare parts for this product, contact us at the call center (depending on the number of your country that indicates the warranty certificate) or our social networks

 www.DrijaInternational.com



Para conservar la garantía de este producto, es indispensable instalarlo a no menos de **35"=90 cm** de la estufa

To preserve the warranty of this product, it is essential to install it at not less than **35"=90 cm** from the stove.

Manual de Usuario
EXTRACTOR DE GRASA | SQUARE ISLA PROFESSIONALE
DRIJA[®]

1. NOTICE	3
2. CHARACTERISTICS.....	3
3. INSTALLATION NOTICE	3
4. INSTALLATION INSTRUCTIONS	4
5. USE GUIDE.....	6
6. MAINTENANCE AND CLEANING.....	7
7. ANOMALIES AND SOLUTION.....	8
8. SAFETY WARNING	9
9. ELECTRIC SHOCK HAZARD	11
10. WARRANTY CERTIFICATE	11

1. NOTICE

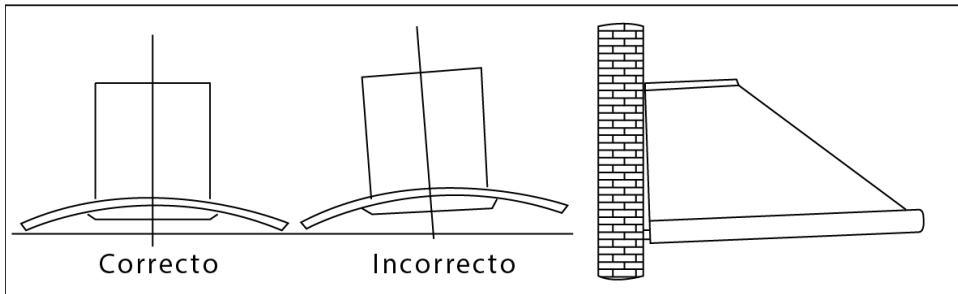
1. Installation work must be carried out by qualified and competent personnel.
2. The manufacturer shall not be liable for any damage or injury caused by failure to follow the instructions contained in the manual.

2. CHARACTERISTICS

1. The kitchen hood uses a high quality material and is made with steam design.
2. Equipped with an electric motor of low noise, centrifugal blade produces great suction, low noise, non-stick filter and easy cleaning, domestic use.
3. Control circuit board insulated low voltage, 12vDC input, the lights are more secure.
4. Built with a special tunnel, designed with an oil sump and dust absorption in seconds.

3. INSTALLATION NOTICE

1. Before installation, make sure the area is clean to avoid sucking out remaining broken wood and dust.
2. It is not possible to share the same air ventilation tube with other appliances such as gas pipe, hot air pipe.
3. The bending of the ventilation tube should be $\geq 120^\circ$, parallel or above the start point and must be connected to the outer wall.
4. After installation, make sure the extractor is level to avoid collecting grease at one end.

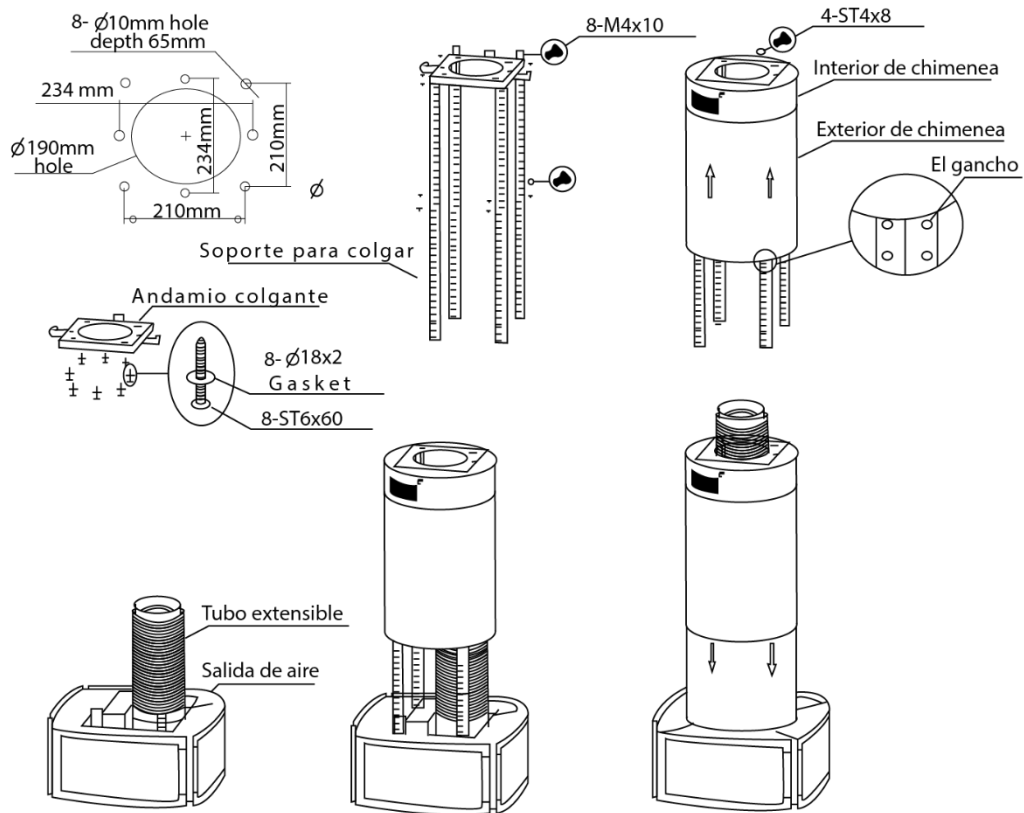


Warning: Failure to install screws or fastening device according to these instructions may result in electrical hazards.

4. INSTALLATION INSTRUCTIONS

1. Make sure the installation position, fix the hanging scaffold in the correct position, and check the firmness and smoothness of the installation. Respect the distance between the stove and the hood must be 55"= 140cm.
2. Adjust to the proper height, attach the brackets, install on hangers. See picture 2
3. Fix the inside of the chimney on a hanging scaffold, place the chimney outside on it in the proper position, and insert the hook into the holder to fix the exterior chimney temporarily. See picture 3.
4. Attach the exhaust air to the vent of the hood body; connect the extension tubing to the air outlet. See picture 4.
5. Extend the hose off the hanging scaffold; attach the bell body to the bracket. See picture 5
6. After installation, make sure the extractor is level. Do not hit the glass. See picture 6.
7. **IMPORTANTE:** tener protector de voltaje.

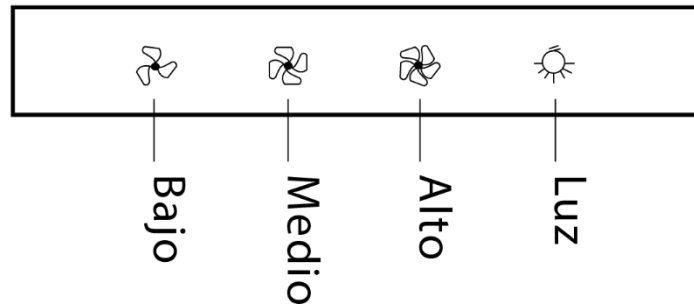
PICTURES



5. USE GUIDE

SPEED ADJUSTMENT

Electronic Button



1. Turn on the unit, it will hear a sound at the beginning five times. The sound will indicate that the unit is on.
2. Press the low button, it will indicate light 1, you will hear the sound and the engine will start running at low speed, press it again and the engine will stop.
3. Press the center button, it will indicate light 2, you will hear the sound and the engine will start to run at medium speed, press it again and the engine will stop.
4. Press the upper button, it will indicate light 3, you will hear a sound and the motor will run at high speed, press it again and the motor will stop.
5. Press the light button, indicate light 4, two lights will light, press again and the lamps will turn off, with each press you will hear the sound.

6. MAINTENANCE AND CLEANING

CLEANING THE CARBON FAT FILTER MESH

The filter mesh is made of high density stainless steel. Please do not use corrosive detergent for cleaning. Keeping the filter clean will cause the appliance to function properly. Please follow the guidelines below:

CLEANING THE KITCHEN BELL

- To protect the body from corrosion after a long time, the hood should be cleaned with warm water and a non-corrosive detergent every two months.
- Use recommended cleaners for this type of material, we recommend the following; WD-40.
- Please do not use abrasive detergent, it will damage the body.
- Keep engine and spare parts away from water as this will cause damage to the unit.
- Before cleaning the appliance, please remember to disconnect from the mains.
- The carbon filter should not be exposed to heat.
- Please do not tear the fixed rod around the carbon filter
- If the plug or cord is damaged, please replace it with special soft cord.

USER MANUAL

- Clean the hood according to the instructions in the manual and keep the unit free from burn hazard. If it is not cleaned by taking the precautions of the manual, there is a risk of fire.
- If the outlet is damaged, it must be replaced by the manufacturer or qualified service center to avoid a hazardous situation.
- The air should not be thrown by a pipe that is used to evacuate fumes from gas appliances or other fuels.
- This appliance can be used by children from 8 years of age and for people with physical and mental disabilities, as well as with little or no experience. Provided they receive all instructions and supervision concerning the use of the apparatus and the danger involved. Children should be supervised to ensure that they do not play with the appliance.
- Cleaning and maintenance should not be done by unsupervised children.
- Do not place a flame of fire under the hood.

CAUTION:

- Accessible parts may become hot when using the appliance.
- The warnings must be in the same position as the instructions, as it details how to install the equipment.
- Instructions should detail how to clean the surface that has food contact.

7. ANOMALIES AND SOLUTION

Failure	Cause	Solution
Light on, but engine does not work	Blocked sheet	Get rid of the lock
	Damaged capacitor	Replace Capacitor
	Engine clogged, wheel bearing	Replace motor
	Internal engine shut off or an unpleasant smell exits the engine.	Replace motor
Light does not work, motor does not work	Apart from the above, check the following:	
	Damaged light	Replace light
	One-way valve and air	
Oil spill	Ventilation inlet not tightly closed. Leakage in the connection.	Take the section of the U-shape
	The U-shaped section and its cover Damaged blade and cause	Lower and seal with soap or paint. Replace blade.
Suction Insufficient	The U-shaped section and its cover Damaged blade and cause	Lock the motor firmly
	Shake The engine is not firm	Correct body firmly
	Strung up The body is not firm	Reset the distance
Machine Leaning	Body and gas top too long. Too much ventilation	Choose a new place

	Open door or window Fixing screw is not tight	Re-ensemble machine Tighten the hanger
Bell shaking	Bolt of the pendant is not tight.	Screw horizontally Tighten the hanger
	Motor screw not tightened	Screw the engine tightly

8. SAFETY WARNING

1. Never let children operate the machine.
2. The range hood is for domestic use, not recommended for barbecues, rotisseries or any other commercial purpose.
3. The cooker hood and its filter should be cleaned regularly to keep it working in good condition.
4. Clean the cooker hood according to the instructions in the manual and keep the unit out of danger of burns.
5. Prohibit direct cooking from the gas cooker.
6. Please keep the kitchen with good convection.
7. Before connecting the appliance, check that the power cord is not damaged. Damaged power cord only needs to be replaced by suitable personnel.
8. Adequate ventilation in the kitchen should be provided when using the cooker hood along with other gas appliances or other fuels.
9. The air should not be thrown by a pipe that is used to evacuate fumes from gas appliances or other fuels.
10. The regulations concerning the evacuation of air must be taken into account.
11. Do not place a flame or fire under the hood.
12. The cooker hood should not be installed on stoves having more than 4 burners.
13. This appliance may not be used by persons (including children) with physical, mental, or little or no disability unless instructed to use and supervise the person taking care of their safety.
14. Children should be supervised to ensure that they do not play with the appliance.

15. When the hood and appliances supplied with power other than the electric one are running at the same time, the negative pressure in the room should not exceed 4 Pa (4×10^{-5} bar).
16. Caution: Accessible parts may become hot by use of the appliance.

9. **ELECTRIC SHOCK HAZARD**

- Only connect this unit to an appropriate ground. If in doubt, consult a qualified engineer.
- Failure to follow these instructions can result in death, fire or electric shock.

10. **WARRANTY CERTIFICATE**

- Product guaranteed for two years in default of factory from the purchase.
- If a problem occurs, contact your service representative.

THIS WARRANTY DOES NOT COVER THE FOLLOWING:

- Filter mesh or light bulb.
- Commercial use
- Modification of the date of manufacture on the plate.
- After 24 months from purchase data.
- Damage to glass parts, S / S, or LED parts.
- Improper installation, misuse, abuse or neglect.
- Incorrectly connected to insufficient or inadequate power source.
- Damage caused by foreign objects.
- Uninstallation by unauthorized technicians, use of spare parts from other manufacturers.

For commercial use the maintenance and free service must be discussed with our authorized agent.

After the 24 months of the warranty period, the buyer must pay for the service and spare of needing it.

If you need the service, please provide the warranty certificate and purchase invoice.

Shop place: _____

Date of purchase: _____

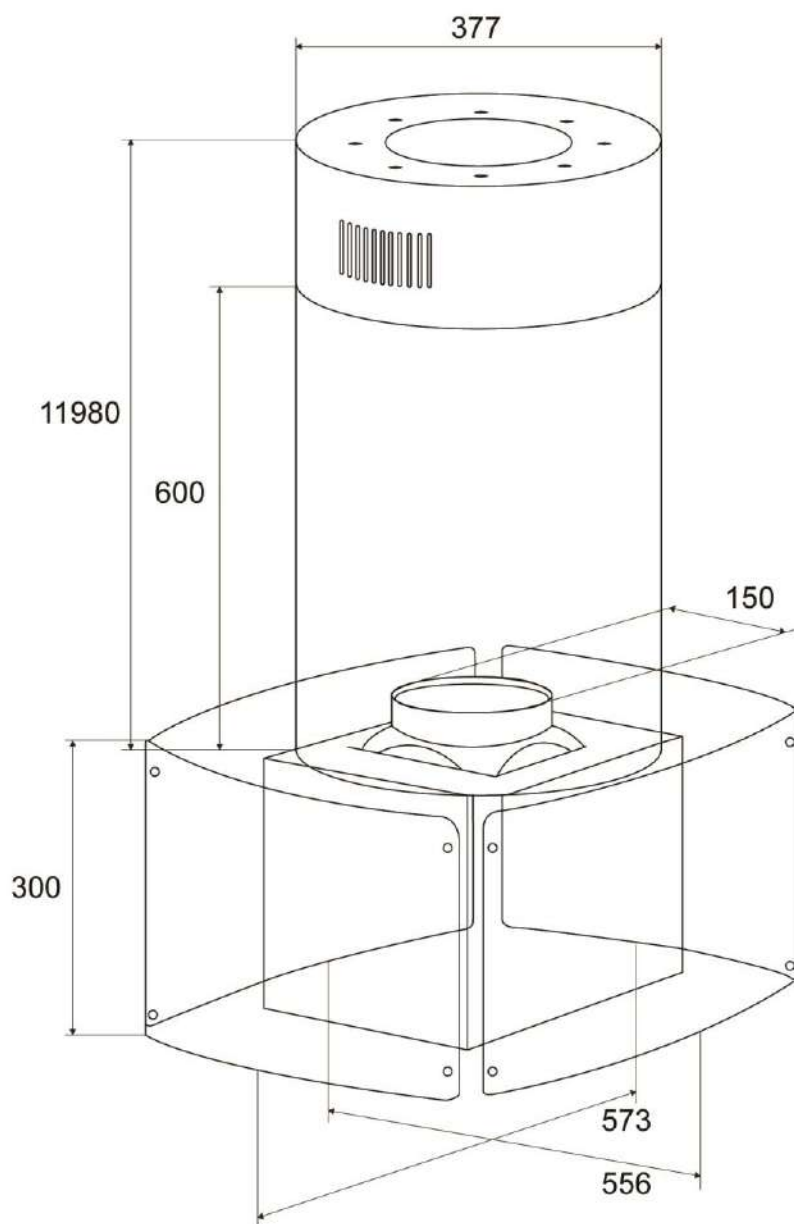
Model: _____

Warehouse stamp.

DRIJA[®]

Square

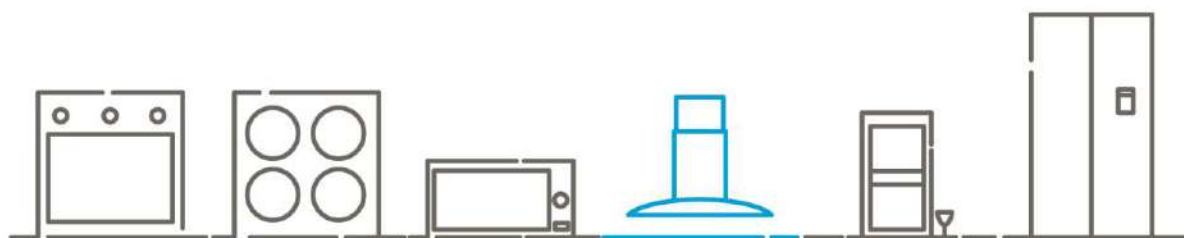
ISLA
PROFESSIONALE
Extractor de Grasa / Range Hood



! Para conservar la garantía de este producto, es indispensable instalarlo a no menos de **35"=90 cm** de la estufa

To preserve the warranty of this product, it is essential to install it at not less than **35"=90 cm** from the stove.

24 MESES de GARANTÍA
MONTHS WARRANTY



Extractores de Grasa
Range Hood